

## Master Parts List - TYS125F Eur./Jap./Rac./TYS175F

**HOW TO USE THIS DOCUMENT ?**

This master parts catalog lists and illustrates the assemblies, subassemblies and detail parts which comprise and are necessary for the support of the TYS125F motorbike manufactured by Scorpa. This catalog is to be used to identify and order spare parts and components required for the TYS125F support.

The applicability column, when used, indicates the limited applicability of parts to a specific motorbike model.

Item numbers on illustrations are used to cross-reference a specific item to a part number in the adjoining detailed parts list. Item numbers are arranged in numerical sequence in the Fig. Item column of the detailed parts list.

**HOW TO ORDER PARTS ?**

To obtain informations regarding manufacturer guarantee, contact customer support service at the adress below.

Our customer support service is ready to assist you for all informations you may need ; for all spare parts order, contact your usual reseller or :

SCORPA SA  
Pôle mécanique  
30 520 Saint Martin de Valgalgues  
France

Tel : + 33 (0) 4 66 54 36 10  
Fax : + 33 (0) 4 66 54 94 10  
e-mail : [contact@scorpa.fr](mailto:contact@scorpa.fr)

**IMPORTANT NOTICES :**

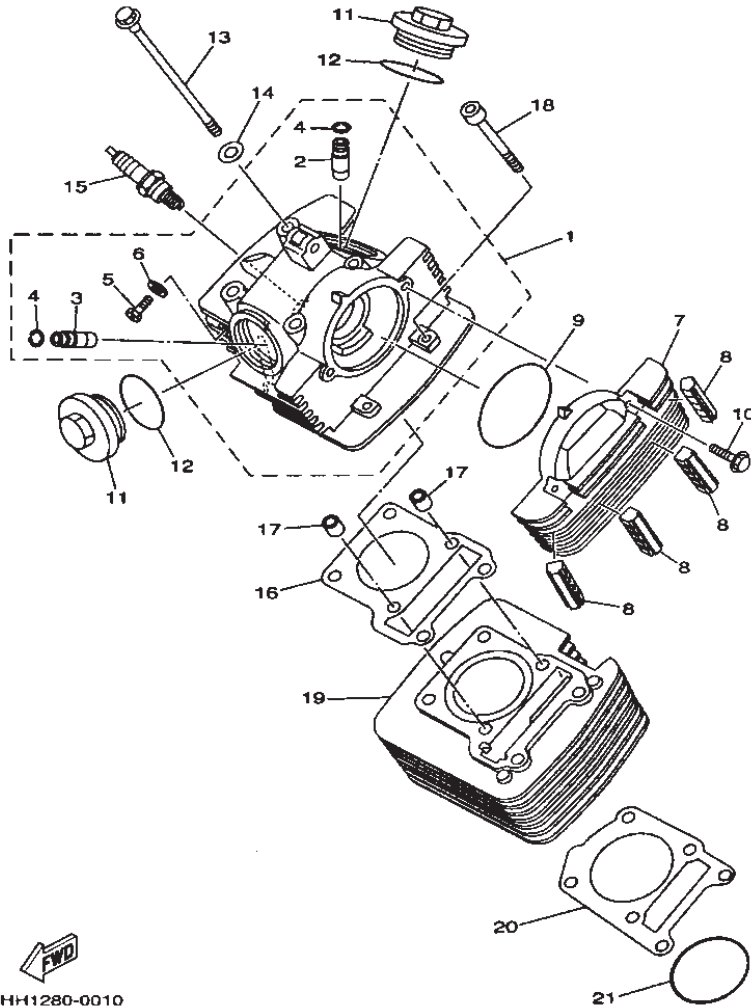
Scorpa recommends use of manufacturer originated parts only ; this is required to ensure a correct and safe use of the motorbike. Use of other parts will cancel Scorpa liability in case of any damage.

This document does not contain contractual data. Updates can be issued at any time.

This document contains Scorpa proprietary informations and data. It is delivered on the express condition that it is not to be disclosed or reproduced in whole or in parts without the written consent of Scorpa SA.

**TABLE OF CONTENTS**

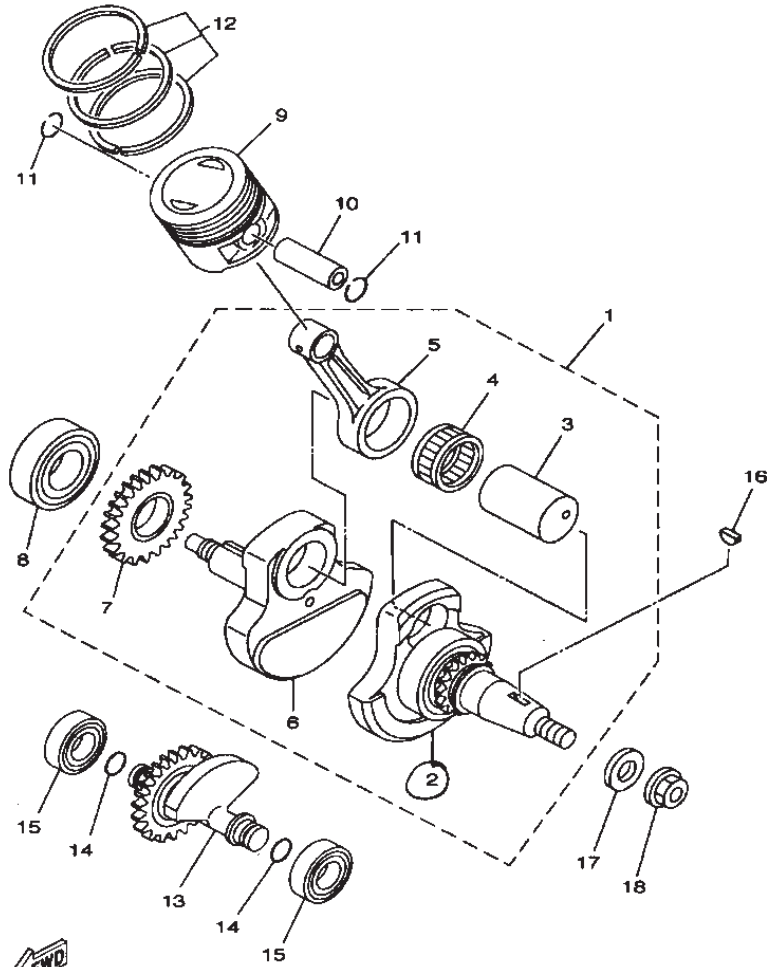
SUBJECT	PAGE	REV.
INTRODUCTION	1	3
CYLINDER	2	0
CRANKSHAFT. PISTON	3	0
VALVE	4	0
CAMSHAFT. DRAIN	5	0
OIL PUMP	6	0
CRANKCASE	7	0
CRANKCASE COVER	8	0
STARTER	9	0
CLUTCH	10	0
TRANSMISSION	11	0
SHIFT CAM. FORK	12	0
SHIFT SHAFT	13	0
GENERATOR	14	0
ELECTRICAL. ENGINE	15	0
AIR CLEANER CASE	16	3
AIR CLEANER CASE BRACKET	17	2
EXHAUST	18	1
MAIN FRAME	19	2
FENDER	20	1
FENDER - Racing	20bis	0
REAR ARM	21	1
REAR SUSPENSION	22	2
STEERING	23	2
STEERING - Racing	23bis	0
FRONT FORK	24	2
FRONT FORK - Racing	24bis	0
FUEL TANK	25	3
SEAT	26	1
FRONT WHEEL	27	3
FRONT WHEEL - Racing	27bis	0
FRONT BRAKE	28	2
FRONT BRAKE - Racing	28bis	0
REAR WHEEL	29	3
REAR BRAKE	30	1
STEERING HANDLE	31	2
STEERING HANDLE - Racing	31bis	0
FRONT MASTER CYLINDER	32	2
STAND AND FOOTREST	33	1
REAR MASTER CYLINDER	34	2
SPEED INDICATOR	35	2
HEAD LIGHT	36	2
HEAD LIGHT - Racing	36bis	0
TAIL LIGHT	37	2
ELECTRICAL WIRINGS	38	3
ELECTRICAL WIRINGS - Racing	38bis	0
CLUTCH LEVER - Racing	39	0
CARBURETOR	40	0
SPECIFIC COMPONENTS - TYS175F	41	0



5HH1280-0010

**CYLINDER**

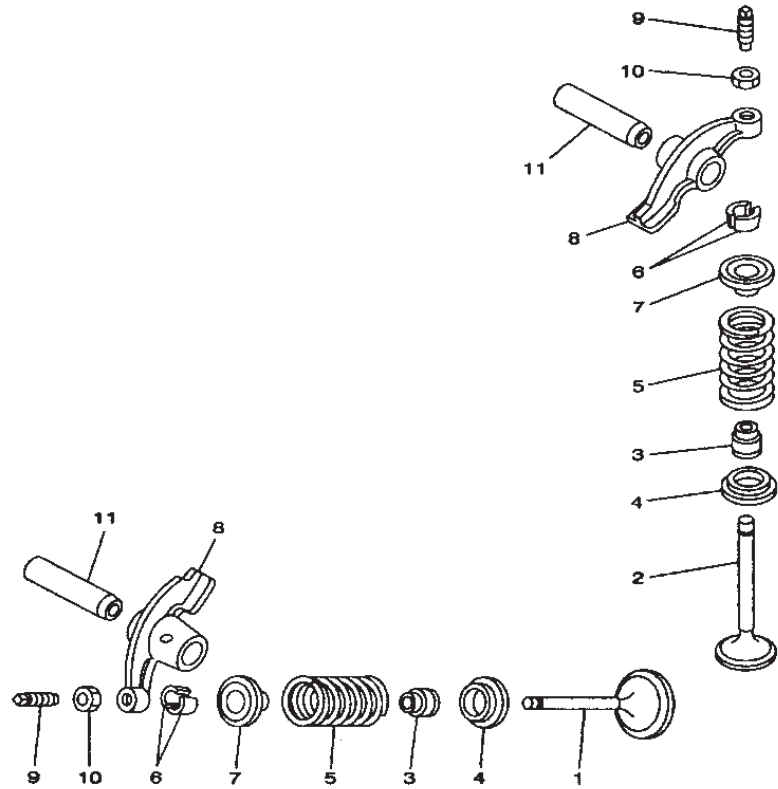
REF. NO.	PART NO.	PART NAME	SYL1				REMARKS
1	5HH-E1111-00	HEAD, CYLINDER 1	1				
2	2UJ-11133-10	.GUIDE, VALVE 1	1				
3	22F-11134-10	.GUIDE, VALVE 2	1				
4	93440-10109	.CIRCLIP	2				
5	90153-06029	.SCREW, HEXAGON	1				
6	90430-06014	.GASKET	1				
7	5HH-E1185-00	COVER, CYLINDER HEAD SIDE 1	1				
8	5HH-E1161-00	ABSORBER 1	4				
9	93210-71800	O-RING	1				
10	9502M-06020	BOLT, FLANGE	2				
11	5HH-E1186-00	COVER, CYLINDER HEAD SIDE 2	2				
12	93210-44800	O-RING	2				
13	90105-08724	BOLT, FLANGE	4				
14	90201-08609	WASHER, PLATE	4				
15	94700-00834	PLUG, SPARK (NGK CR7HSA)	1				
16	5AP-11181-00	GASKET, CYLINDER HEAD 1	1				
17	99530-10114	PIN, DOWEL	2				
18	90110-06W02	BOLT, HEXAGON SOCKET HEAD	2				
19	5HH-E1310-01	CYLINDER	1				
20	5HH-E1351-00	GASKET, CYLINDER	1				
21	93210-57800	O-RING	1				



5HH3280-A020

CRANKSHAFT. PISTON

REF. NO.	PART NO.	PART NAME	SYL1				REMARKS
1	5HH-E1400-10	CRANKSHAFT ASSY	1				
2	5HH-WE141-10	.CRANK 1	1				
3	4LS-11681-01	.PIN, CRANK 1	1				
4	93310-6290C	.BEARING	1				
5	4LS-11651-02	.ROD, CONNECTING	1				
6	5HH-E1422-10	.CRANK 2	1				
7	5HH-11536-00	.GEAR, DRIVE	1				
8	93306-20529	BEARING (B6205C4)	1				
9	4LS-11631-01-A0	PISTON (STD)	1				UR STD
	4LS-11636-01	PISTON (0.50MM O/S)	1				AP
	4LS-11638-01	PISTON (1.00MM O/S)	1				AP
10	2TK-11633-00	PIN, PISTON	1				
11	93450-16068	CIRCLIP	2				
12	4LS-11603-00	PISTON RING SET (STD)	1				UR STD
	4LS-11605-00	PISTON RING SET (0.50MM O/S)	1				AP
	4LS-11607-00	PISTON RING SET (1.00MM O/S)	1				AP
13	5HH-E1500-01	BALANCER ASSY	1				
14	93210-11001	O-RING	2				
15	93306-20221	BEARING	2				
16	90280-03017	KEY, WOODRUFF	1				
17	90201-122H1	WASHER, PLATE	1				
18	9570M-12500	NUT, FLANGE	1				



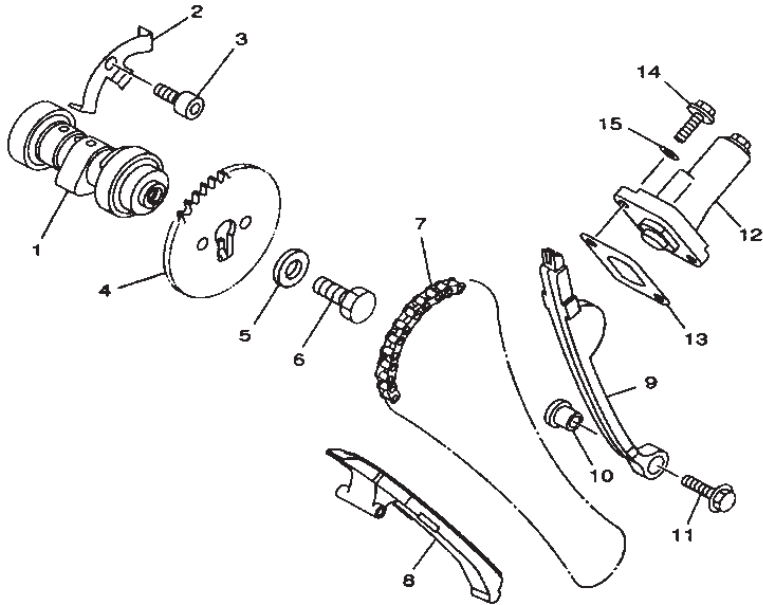
4LS1470-8030

VALVE

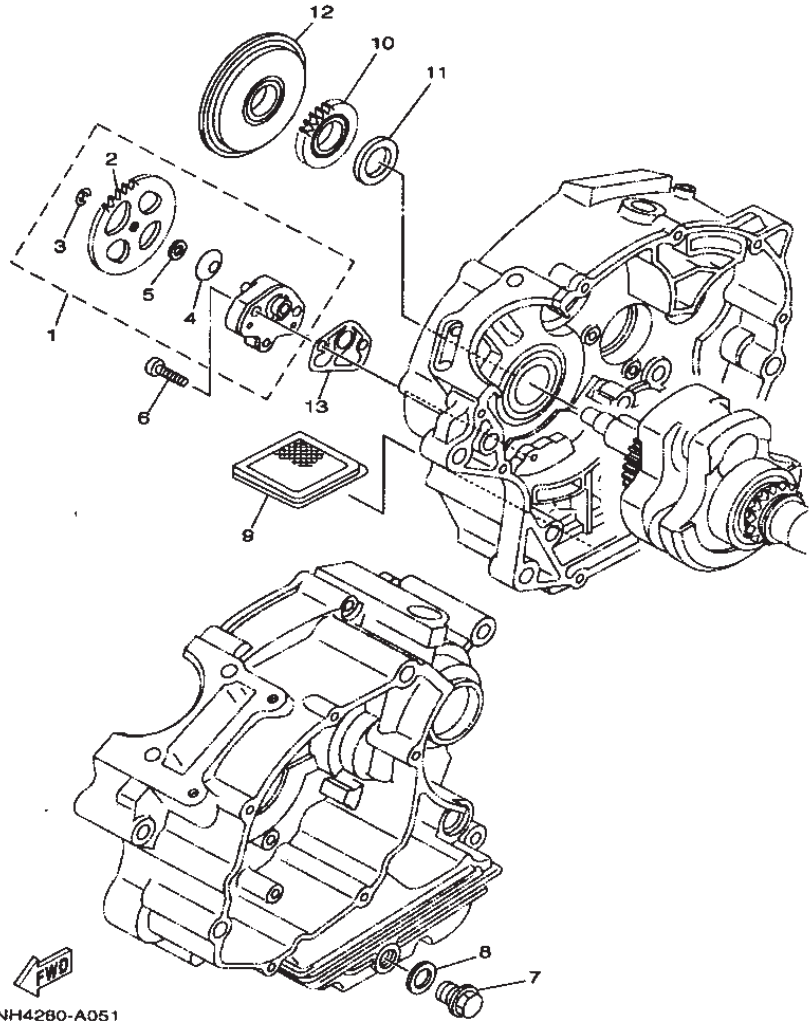
REF. NO.	PART NO.	PART NAME	5YL1				REMARKS
1	5HP-12111-00	VALVE, INTAKE	1				
2	5HP-12121-00	VALVE, EXHAUST	1				
3	2HX-12119-00	SEAL, VALVE STEM	2				
4	22F-12116-00	SEAT, VALVE SPRING	2				
5	5HH-12113-00	SPRING, VALVE INNER	2				
6	22F-12118-01	COTTER, VALVE	4				
7	22F-12117-02	RETAINER, VALVE SPRING	2				
8	50M-12151-00	ARM, VALVE ROCKER	2				
9	22F-12159-00	SCREW, VALVE ADJUSTING	2				
10	90170-05302	NUT	2				
11	5HH-E2156-10	SHAFT, ROCKER 2	2				

CAMSHAFT. CHAIN

REF. NO.	PART NO.	PART NAME	5Y1				REMARKS
1	5HH-E2170-01	CAMSHAFT ASSY 1	1				
2	5HH-E111F-00	PLATE	1				
3	9131M-06012	BOLT	1				
4	5HH-E2176-00	SPROCKET, CAM CHAIN	1				
5	90201-08326	WASHER, PLATE	1				
6	90101-08590	BOLT	1				
7	94581-94088	CHAIN	1				
8	5HH-E2231-00	GUIDE, STOPPER 1	1				
9	5HH-E2241-00	GUIDE, STOPPER 2	1				
10	5HH-E5598-00	COLLAR	1				
11	9580M-06020	BOLT, FLANGE	1				
12	4ST-12210-00	TENSIONER ASSY, CAM CHAIN	1				
13	5HH-E2213-00	GASKET, TENSIONER CASE	1				
14	9502M-06016	BOLT, FLANGE	2				
15	90430-06817	GASKET	2				

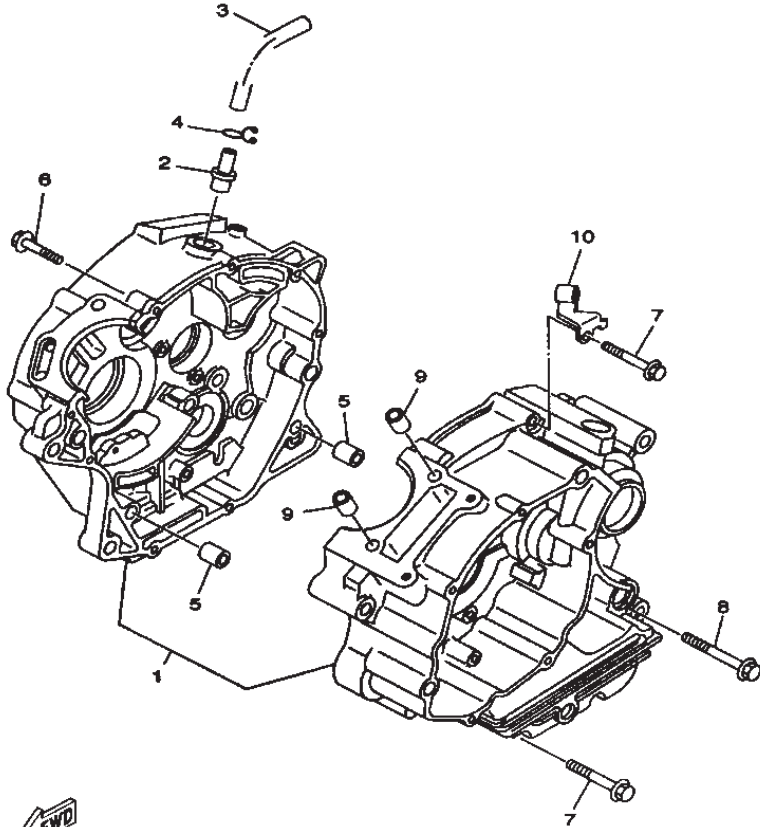


5HP1100-0040



**OIL PUMP**

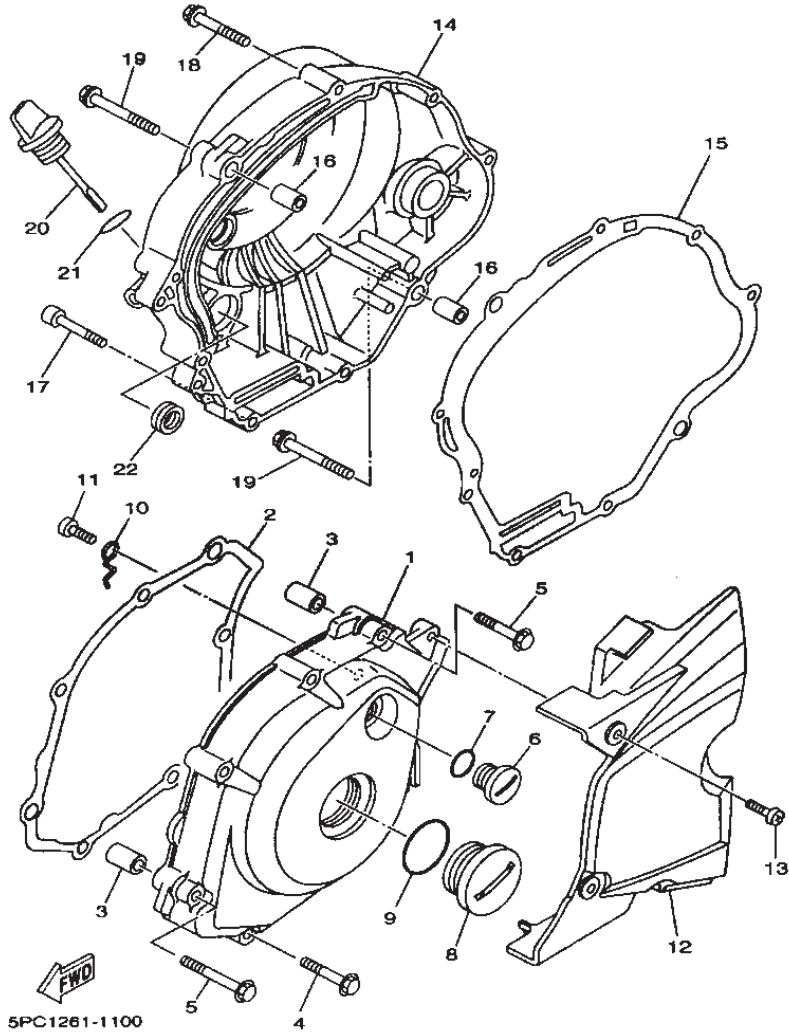
REF. NO.	PART NO.	PART NAME	5YL1				REMARKS
1	5HH-E3300-00	OIL PUMP ASSY	1				
2	4GL-13325-00	.GEAR, PUMP DRIVEN (34T)	1				
3	99001-05600	.CIRCLIP	2				
4	90201-07641	.WASHER, PLATE	1				
5	90208-07052	.WASHER, CONICAL SPRING	1				
6	90155-06802	SCREW, FLAT FILLISTER	2				
7	90340-12097	PLUG, STRAIGHT SCREW	1				
8	90430-12227	GASKET	1				
9	5HH-E3411-00	STRAINER, OIL	1				
10	5HH-E3324-00	GEAR, PUMP DRIVE	1				
11	90201-20W72	WASHER, PLATE	1				
12	5HH-E3451-00	FILTER, ROTARY	1				
13	5HH-E3329-00	GASKET, PUMP COVER	1				



5NJ2280-A090

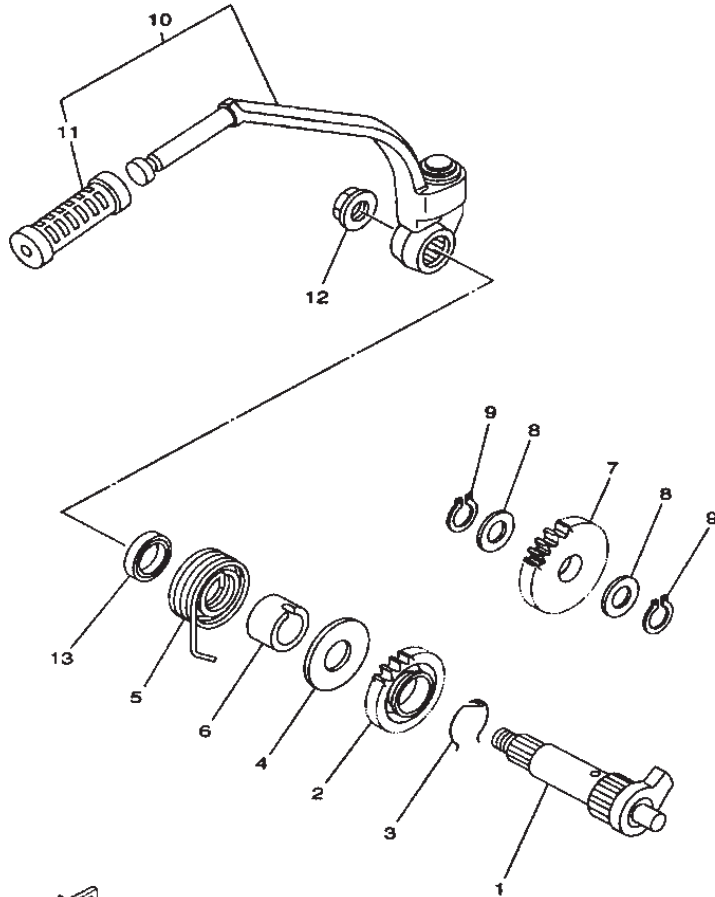
**CRANKCASE**

REF. NO.	PART NO.	PART NAME	5Y1				REMARKS
1	5LX-E5150-01	CRANKCASE ASSY	1				
2	5HH-E1167-00	PIPE, BREATHER 2	1				
3	5HH-E1166-00	PIPE, BREATHER 1	1				
4	90467-13858	CLIP	1				
5	99530-10114	PIN, DOWEL	2				
6	90109-06W35	BOLT	2				
7	90109-06W36	BOLT	7				
8	90109-06W37	BOLT	1				
9	99530-10114	PIN, DOWEL	2				
10	5HH-E5441-00	HOLDER, CLUTCH CABLE	1				



**CRANKCASE COVER 1**

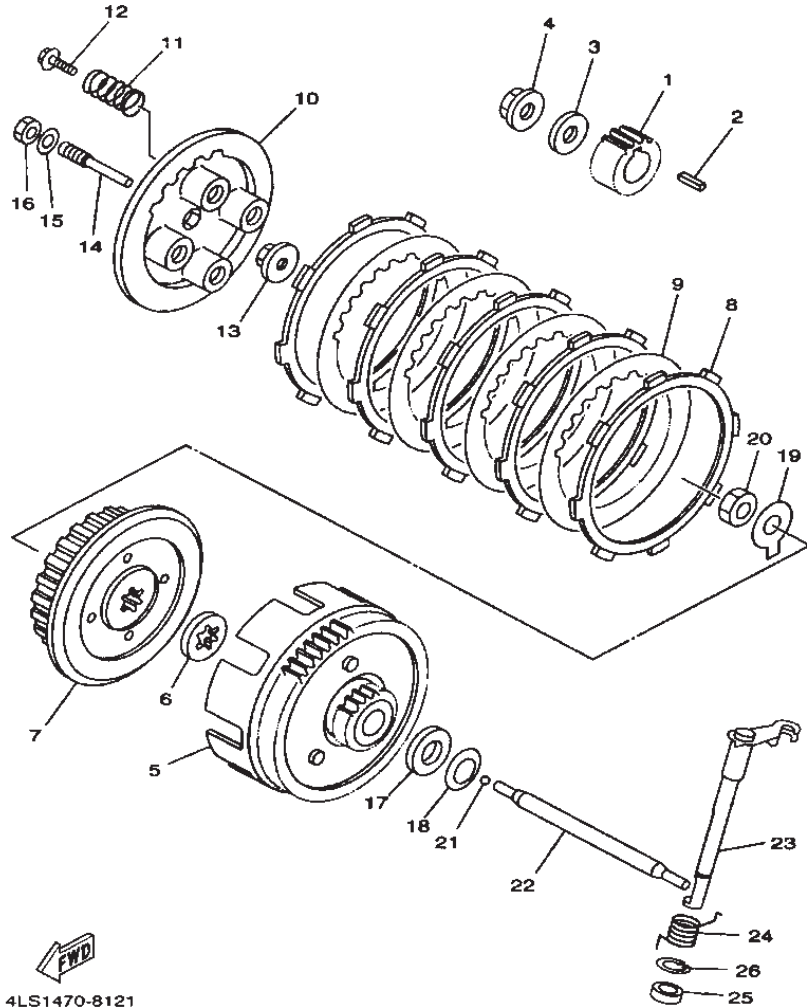
REF. NO.	PART NO.	PART NAME	QTY	REMARKS
1	5HH-E5411-01	COVER, CRANKCASE 1	1	
2	5HH-E5451-00	GASKET, CRANKCASE COVER 1	1	
3	99530-10114	PIN, DOWEL	2	
4	9502M-06035	BOLT, FLANGE	5	
5	9502M-06045	BOLT, FLANGE	2	
6	90340-14W02	PLUG, STRAIGHT SCREW	1	
7	93210-14800	O-RING	1	
8	90340-32W03	PLUG, STRAIGHT SCREW	1	
9	93210-32800	O-RING	1	
10	5HH-E5191-00	PLATE	1	
11	9851M-06010	SCREW, PAN HEAD	1	
12	5HH-E5418-00	COVER, CHAIN CASE	1	
13	9890M-06016	SCREW, BIND	2	
14	5HH-E5421-00	COVER, CRANKCASE 2	1	
15	5HH-E5461-00	GASKET, CRANKCASE COVER 2	1	
16	99530-10114	PIN, DOWEL	2	
17	91380-06035	BOLT	1	
18	9502M-06035	BOLT, FLANGE	6	
19	9502M-06045	BOLT, FLANGE	2	
20	5HH-15362-00	PLUG, OIL LEVEL	1	
21	93210-19800	O-RING	1	
22	93101-10142	OIL SEAL	1	



5HH1280-0110

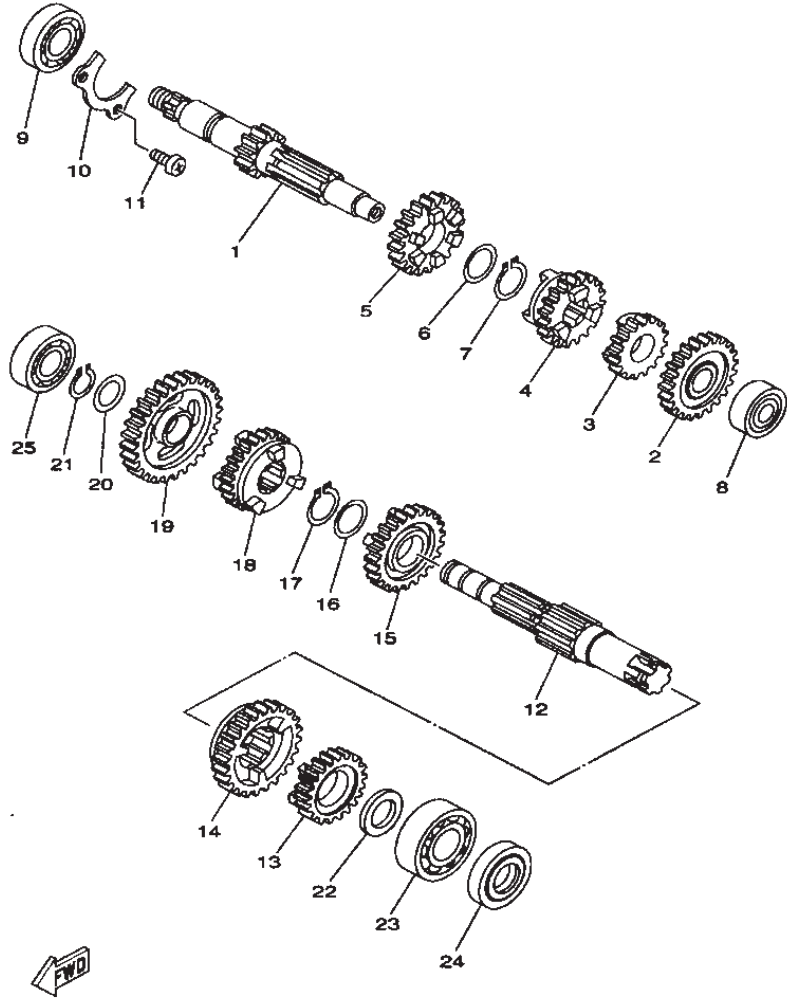
**STARTER**

REF. NO.	PART NO.	PART NAME	5YL1				REMARKS
1	5HH-15660-00	KICK AXLE ASSY	1				
2	10V-15641-00	GEAR, KICK (23T)	1				
3	90468-26048	CLIP	1				
4	90201-202F9	WASHER, PLATE	1				
5	90508-26667	SPRING, TORSION	1				
6	5HH-E5666-00	SPACER	1				
7	5HP-15651-00	GEAR, KICK IDLE (28T)	1				
8	90201-152H7	WASHER, PLATE	2				
9	99009-15400	CIRCLIP	2				
10	5HH-E5620-00	KICK CRANK ASSY	1				
11	5HH-E5618-00	.COVER, KICK LEVER	1				
12	90179-12813	NUT	1				
13	93109-20014	OIL SEAL	1				



CLUTCH

REF. NO.	PART NO.	PART NAME	SYL1				REMARKS
1	5HH-E6111-00	GEAR, PRIMARY DRIVE	1				
2	90282-05001	KEY, STRAIGHT (5MMX16MM)	1				
3	90201-122H1	WASHER, PLATE	1				
4	90179-12813	NUT	1				
5	5HH-E6150-00	PRIMARY DRIVEN GEAR COMP.	1				
6	5HH-E6154-00	PLATE, THRUST 1	1				
7	5AP-16371-00	BOSS, CLUTCH	1				
8	5HH-E6321-00	PLATE, FRICTION	5				
9	1V1-16324-00	PLATE, CLUTCH 1	4				
10	5AP-16351-00	PLATE, PRESSURE 1	1				
11	90501-204A0	SPRING, COMPRESSION	4				
12	90119-05020	BOLT, WITH WASHER	4				
13	1W1-16358-01	PLATE, PUSH	1				
14	5AP-16356-00	ROD, PUSH 1	1				
15	9290M-06200	WASHER	1				
16	9530M-06600	NUT	1				
17	5HH-E6164-00	PLATE, THRUST 2	1				
18	90208-17032	WASHER, CONICAL SPRING	1				
19	90215-12211	WASHER, LOCK	1				
20	90170-12060	NUT	1				
21	93503-16802	BALL	1				
22	5HH-E6357-00	ROD, PUSH 2	1				
23	5HH-E6381-00	PUSH LEVER COMP.	1				
24	90508-16W13	SPRING, TORSION	1				
25	93102-12224	OIL SEAL	1				
26	99009-20500	CIRCLIP	1				



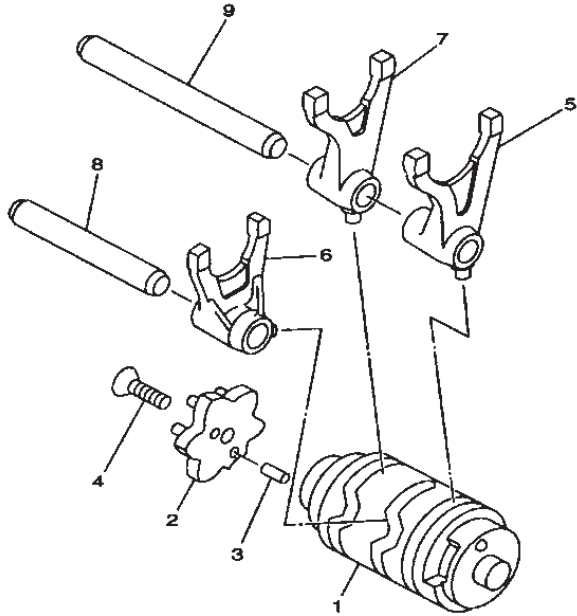
5HH1280-D141

**TRANSMISSION**

REF. NO.	PART NO.	PART NAME	5YL1				REMARKS
1	5HH-E7411-00	AXLE, MAIN	1				
2	5YL-17151-00	GEAR, 5TH PINION (29T)	1				
3	5YL-17121-10	GEAR, 2ND PINION (15T)	1				
4	5AP-17131-00	GEAR, 3RD PINION (19T)	1				
5	5HH-E7141-00	GEAR, 4TH PINION (22T)	1				
6	90201-20266	WASHER, PLATE (T=1.0)	1				
7	93410-20809	CIRCLIP	1				
8	93306-201Y5	BEARING	1				
9	93306-203YG	BEARING	1				
10	5HH-E7471-00	PLATE, COVER	1				
11	9851M-06014	SCREW, PAN HEAD	2				
12	5HH-E7402-00	DRIVE AXLE ASSY	1				
13	5YL-17251-00	GEAR, 5TH WHEEL (21T)	1				
14	5YL-17221-00	GEAR, 2ND WHEEL (29T)	1				
15	5HH-E7231-00	GEAR, 3RD WHEEL (25T)	1				
16	90201-20266	WASHER, PLATE (T=1.0)	1				
17	93410-20809	CIRCLIP	1				
18	5AP-17241-00	GEAR, 4TH WHEEL (23T)	1				
19	5AP-17211-00	GEAR, 1ST WHEEL (37T)	1				
20	90201-15700	WASHER, PLATE	1				
21	99009-15400	CIRCLIP	1				
22	90201-20272	WASHER, PLATE	1				
23	93306-204X8	BEARING	1				
24	93102-20143	OIL SEAL	1				
25	93306-202YN	BEARING	1				

SHIFT CAM. FORK

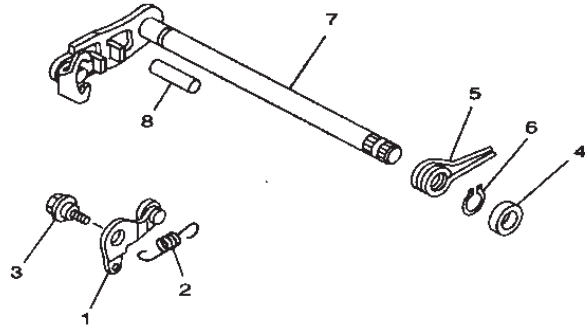
REF. NO.	PART NO.	PART NAME	5Y1				REMARKS
1	5HH-E8540-00	SHIFT CAM ASSY	1				
2	5HH-E8185-00	SEGMENT	1				
3	93604-10011	PIN, DOWEL	2				
4	90149-06W03	SCREW	1				
5	5HH-E8511-00	FORK, SHIFT 1	1				
6	5HH-E8512-00	FORK, SHIFT 2	1				
7	5HH-E8513-00	FORK, SHIFT 3	1				
8	5HH-E8531-00	BAR, SHIFT FORK GUIDE 1	1				
9	5HH-E8535-00	BAR, SHIFT FORK GUIDE 2	1				



5HP1100-0140

SHIFT SHAFT

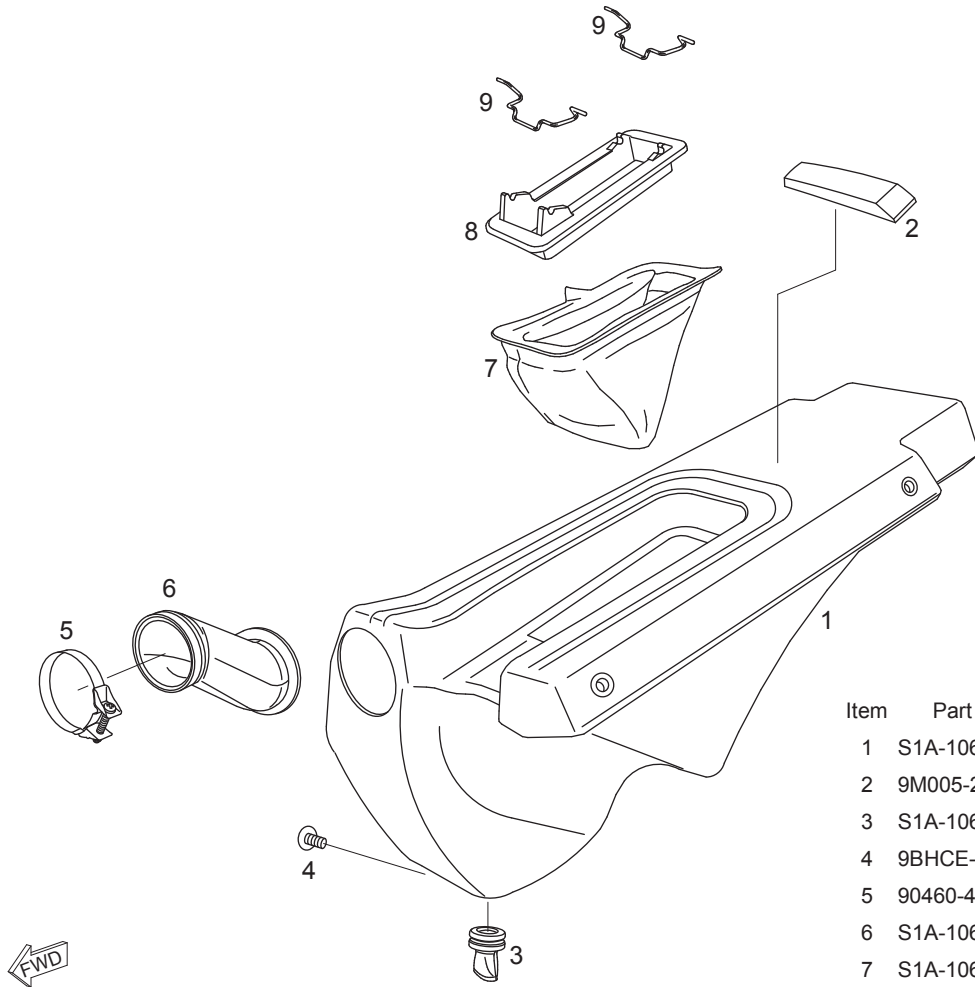
REF. NO.	PART NO.	PART NAME	5YL1				REMARKS
1	5AP-18140-00	STOPPER LEVER ASSY	1				
2	5HH-E8337-00	SPRING	1				
3	90109-063F7	BOLT	1				
4	93101-12173	OIL SEAL	1				
5	90508-32801	SPRING, TORSION	1				
6	99001-10600	CIRCLIP	1				
7	5HH-E8101-01	SHIFT SHAFT ASSY	1				
8	93608-30839	PIN, DOWEL	1				



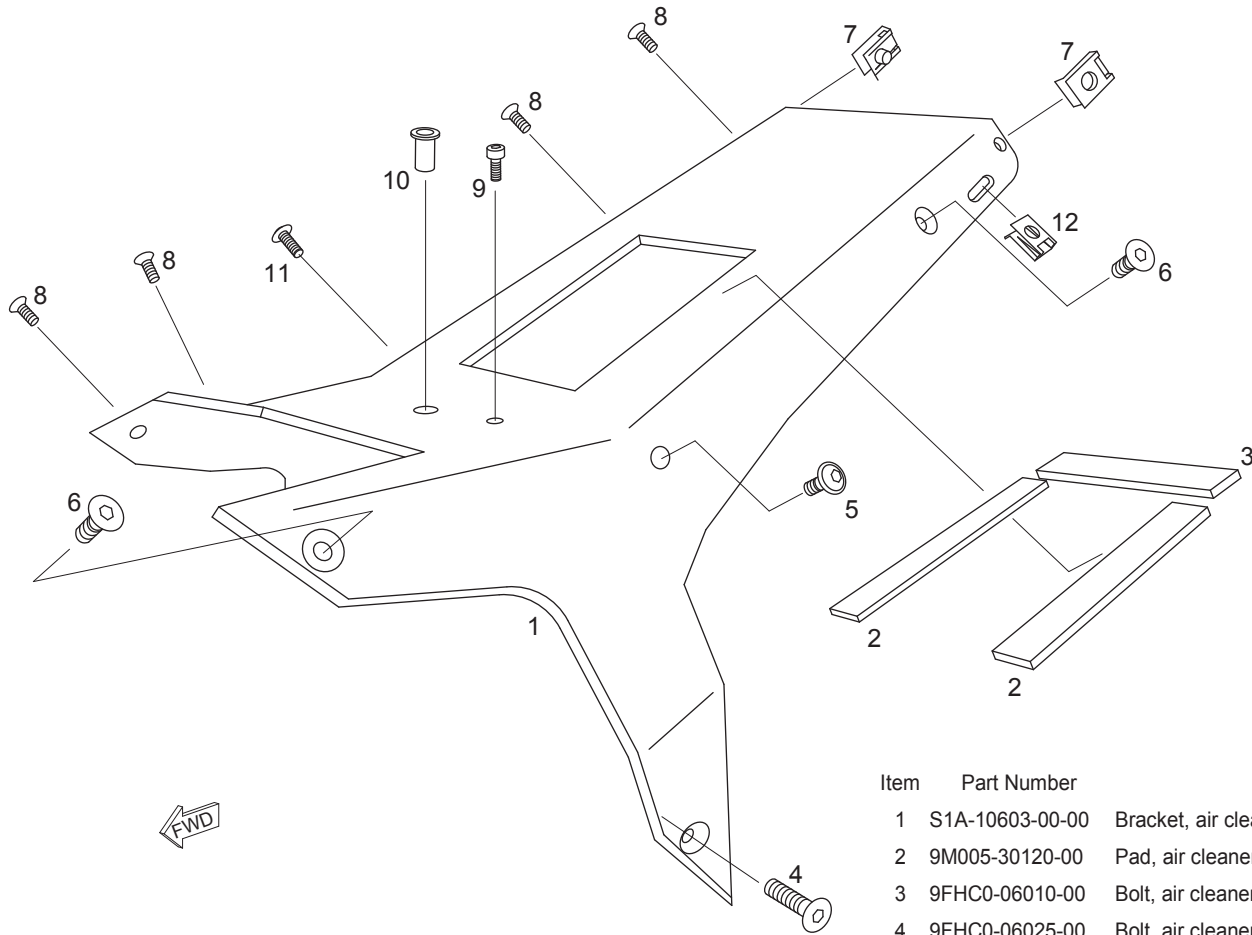
SWF1300-A151



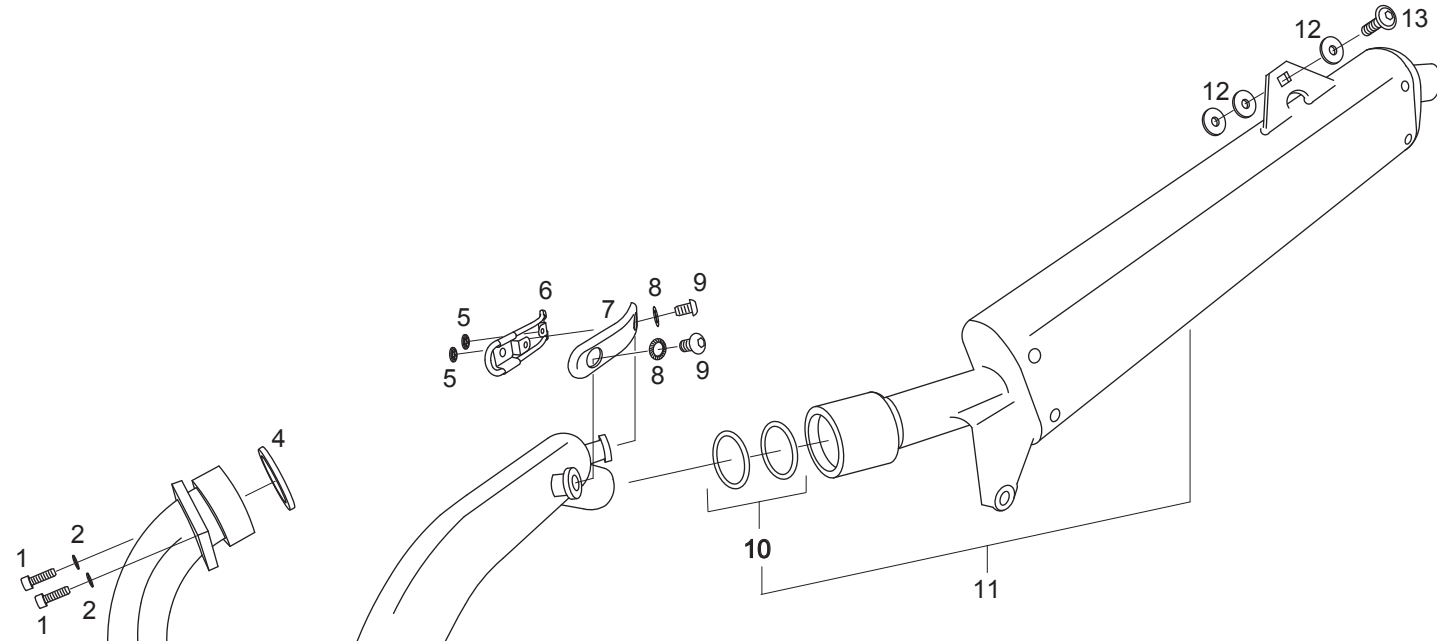




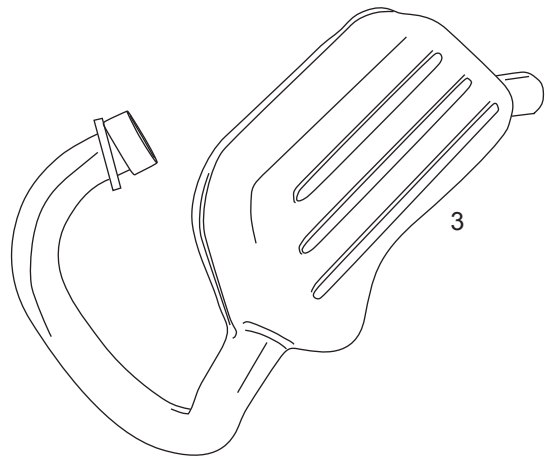
Item	Part Number	Description	Applicability	Qty	Dimensions (mm)	Wght. (g)
1	S1A-10601-00-00	Case, air cleaner	-	1	370 200 200	690
2	9M005-20120-00	Foam, filter box	-	0,12	105 20 10	10
3	S1A-10606-00-00	Pipe, air cleaner case water drain	-	1	30 20 -	10
4	9BHCE-06012-N0	Bolt, air cleaner case right side center lower	-	1	15 13 -	10
5	90460-46206-00	.Locking collar, air cleaner box sleeve	-	1	58 50 -	10
6	S1A-10607-00-00	Sleeve, air cleaner	-	1	110 60 -	10
7	S1A-10602-00-00	Filter, air cleaner	Jap./Rac.	1	130 120 100	10
7	S3A-10602-00-00	Filter, air cleaner	Eur.	1	130 120 100	10
8	S1A-10604-00-00	Mount, air cleaner filter	Jap./Rac.	1	120 50 30	10
8	S3A-10604-00-00	Mount, air cleaner filter	Eur.	1	120 50 30	10
9	S1A-10605-00-00	Spring, air cleaner filter forward and aft	-	2	82 20 -	10



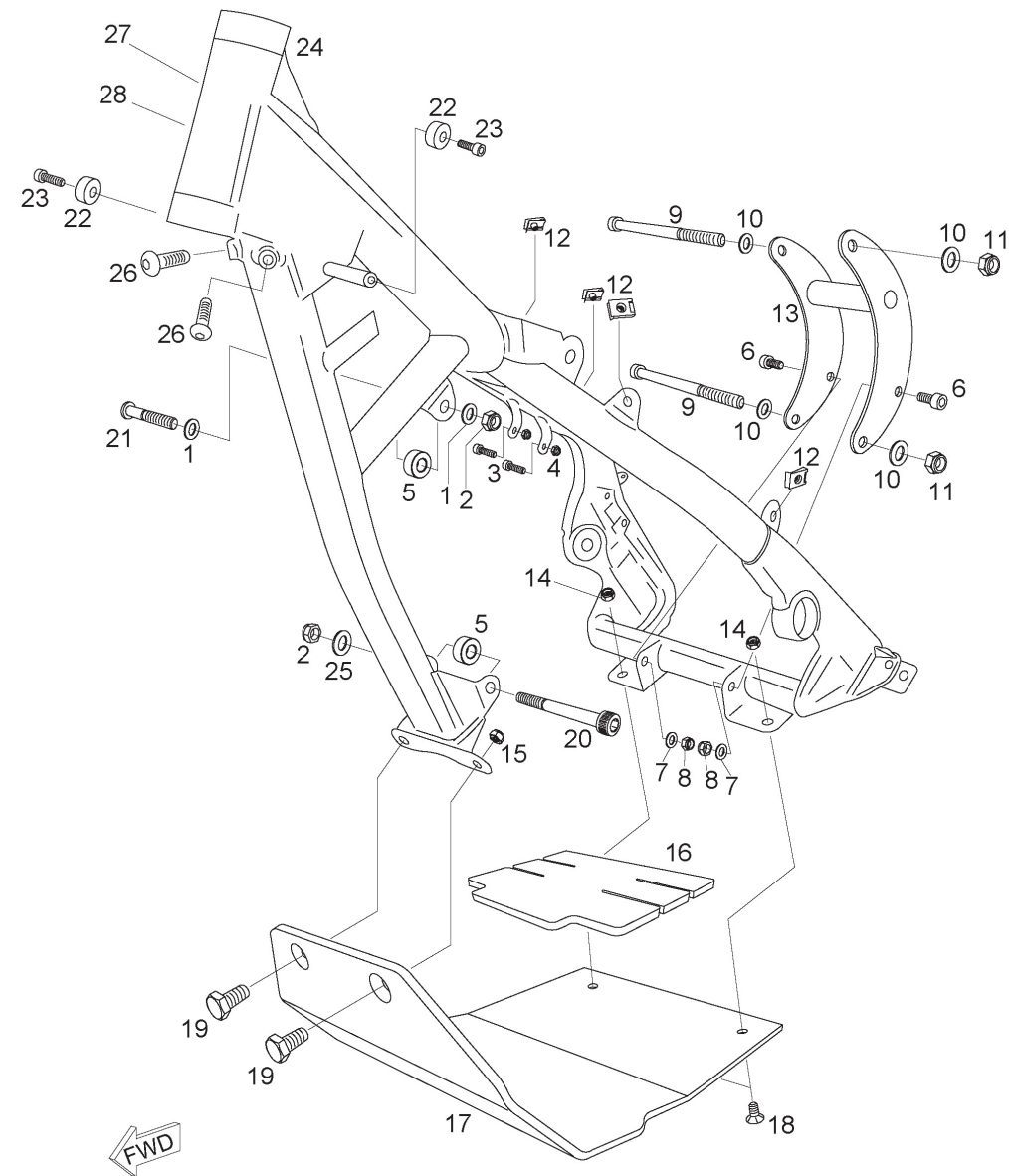
Item	Part Number	Description	Applicability	Qty	Dimensions (mm)			Wght. (g)
1	S1A-10603-00-00	Bracket, air cleaner case	-	1	460	270	250	880
2	9M005-30120-00	Pad, air cleaner case bracket, left and right side	-	0,43	430	30	5	10
3	9FHC0-06010-00	Bolt, air cleaner case bracket right side	-	1	10	10	-	10
4	9FHC0-06025-00	Bolt, air cleaner case bracket and muffler left side center lower	-	1	25	10	-	10
5	9BHCE-06016-00	Bolt, air cleaner case left side center upper	-	1	18	12	-	10
6	9FHC0-06016-00	Bolt, air cleaner case bracket left side forward and aft upper	-	2	16	10	-	10
7	9CE06-15822-00	Spring clip, rear fender left and right side	-	2	22	12	15	10
8	9FHC0-06016-00	Bolt, air cleaner case bracket right side	-	3	16	10	-	10
9	9CHC0-05012-00	Bolt, electrical ground, air cleaner case bracket center upper	-	1	17	7	-	10
10	9EC10-06000-00	Insert, seat and fuel tank attaching bolt	-	1	18	12	-	10
11	9BHCE-06016-00	Bolt, air cleaner case right side center middle	-	1	16	10	-	10
12	9CE06-15822-00	Spring clip, muffler assy left side	-	1	22	12	15	10



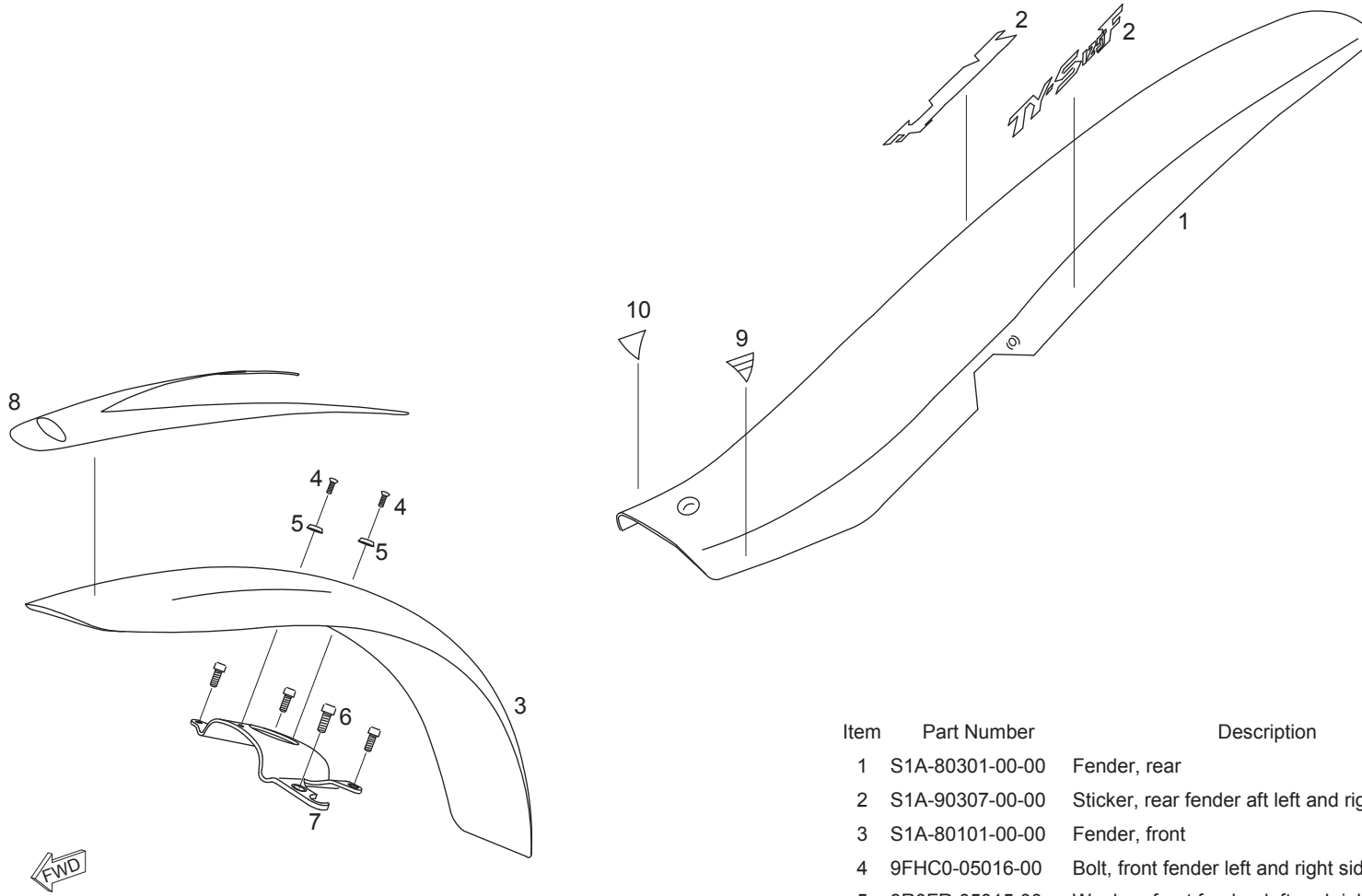
Eur.



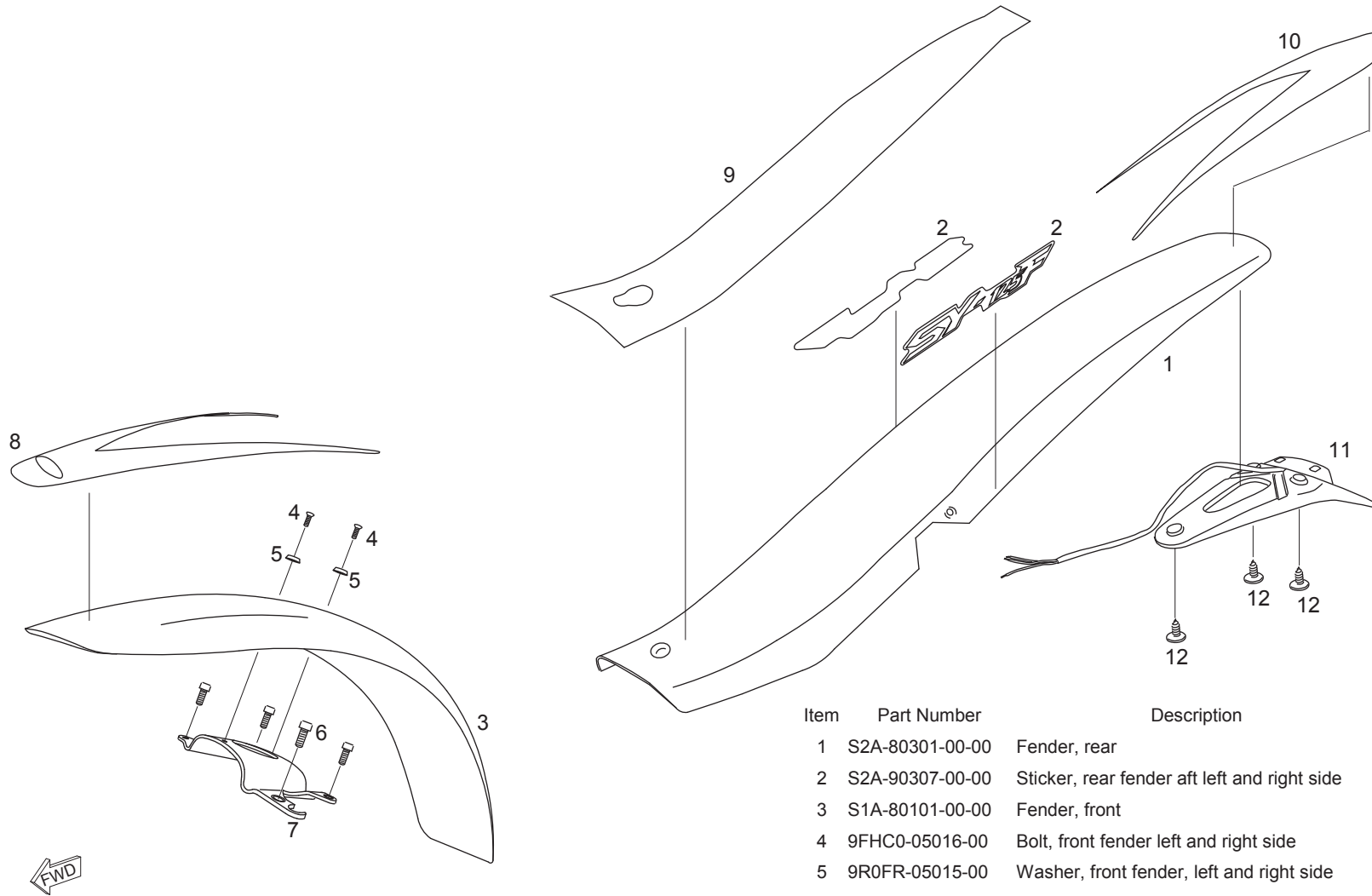
Item	Part Number	Description	Applicability	Qty	Dimensions (mm)	Wght. (g)
1	9CHC0-06020-00	Screw, exhaust pipe attaching	-	2	27 10 -	10
2	9R0SC-06010-00	Washer, exhaust pipe attaching	-	2	10 1 -	10
3	S2A-10801-00-00	Pipe, exhaust	Jap./Rac.	1	335 200 180	880
3	S3A-10801-00-00	Pipe, exhaust	Eur.	1	355 235 210	1950
4	4BR-14613-00-00	.Seal, exhaust pipe	-	1	40 3 -	10
5	9CLAN-04012-00	Clip, exhaust pipe protector bracket locking	Jap./Rac.	2	11 1 -	10
6	5HP-14628-10-00	.Bracket, exhaust pipe protector	Jap./Rac.	1	125 28 25	25
7	5HP-1479H-00-00	.Protector, exhaust pipe	Jap./Rac.	1	133 35 35	10
8	9R0SC-06010-00	Washer, exhaust pipe protector forward and aft	Jap./Rac.	2	10 - -	10
9	9BHC0-06010-00	Bolt, exhaust pipe protector forward and aft	Jap./Rac.	2	13 10 -	10
10	9JTT0-03030-00	.O ring, muffler assy, forward and aft	-	2	35 - -	10
11	S1A-10803-00-00	Muffler assy	-	1	560 130 60	1260
12	9R0AN-06012-00	Washer, heat protecting, forward and aft	-	3	20 1 -	10
13	9BHCE-06020-00	Bolt, muffler assy aft	-	1	23 12 -	10



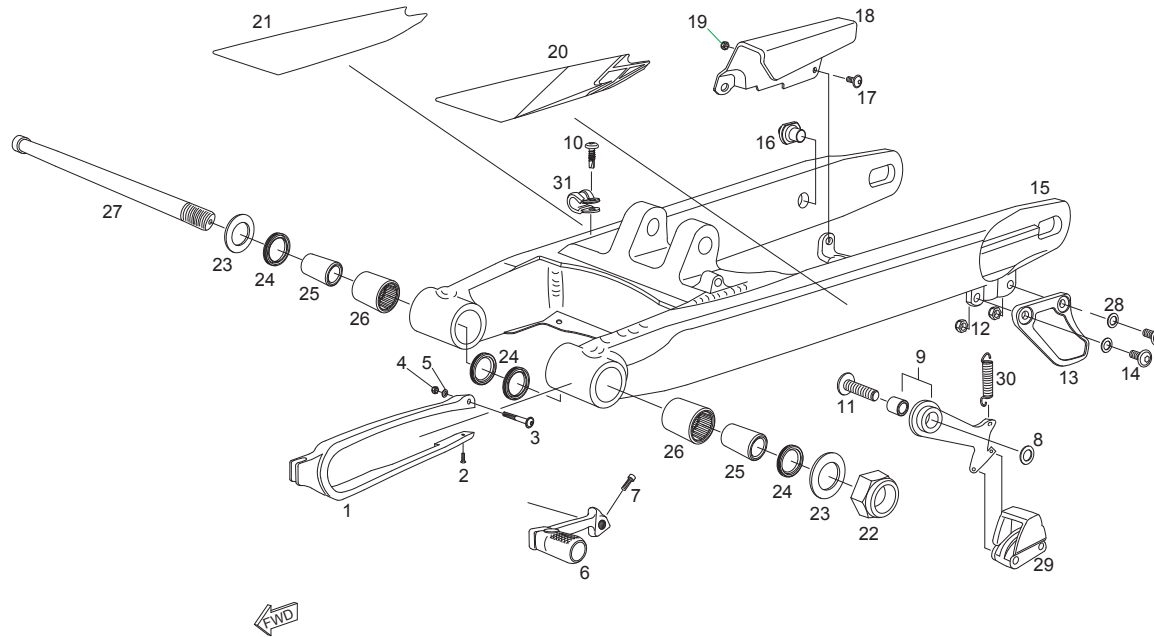
Item	Part Number	Description	Applicability	Qty	Dimensions (mm)	Wght. (g)
1	9R0PL-08018-00	Washer, engine to frame attaching upper left and right side	-	2	17 1 -	10
2	9EC08-08000-00	Nut, engine attaching forward and upper	-	2	13 7 -	10
3	9CHC0-06020-00	Bolt, ignition coil attachment	-	2	25 10 -	10
4	9EC08-06000-00	Nut, ignition coil attachment	-	2	10 5 -	10
5	9E008-08018-00	Spacer, engine attaching forward and upper	-	2	17 8 -	10
6	9CHC0-08016-00	Bolt, engine mount to frame attaching, aft left and right side	-	2	24 12 -	10
7	9R0PL-08018-00	Washer, engine mount to frame attaching aft	-	2	17 1 -	10
8	9EC08-08000-00	Nut, engine mount to frame attaching, aft left and right side	-	2	12 8 -	10
9	9CHC0-08100-00	Bolt, engine to mount attaching, upper and lower	-	2	108 12 -	10
10	9R0PL-08018-00	Washer, engine to mount attaching upper and lower	-	4	17 1 -	10
11	9EC08-08000-00	Nut, engine to mount attaching, upper and lower	-	2	12 8 -	10
12	9CE06-15822-00	Spring clip, air cleaner case bracket attaching	-	4	22 8 10	10
13	S1A-11301-00-00	Mount, engine aft	-	1	170 102 75	470
14	9EC08-08000-00	Nut, engine guard attaching aft left and right side	-	2	12 7 -	10
15	9EC08-08000-00	Nut, engine guard attaching forward left and right side	-	2	12 8 -	10
16	5HP-21485-00-00	Pad, engine guard	Eur./Jap.	1	150 120 5	150
16	S2A-20103-00-00	Pad, engine guard	Rac.	1	150 120 10	210
17	S1A-20102-00-00	Guard, engine	Eur./Jap.	1	350 242 115	1240
17	S2A-20102-00-00	Guard, engine	Rac.	1	360 245 120	1480
18	9FHC0-08016-00	Bolt, engine guard attaching aft left and right side	Eur./Jap.	2	16 16 -	10
18	9FHC0-08020-00	Bolt, engine guard attaching aft left and right side	Rac.	2	20 16 -	10
19	90TH0-08016-00	Bolt, engine guard attaching forward left and right side	-	2	22 13 -	10
20	9CHC0-08080-00	Bolt, engine attaching forward	-	1	87 13 -	10
21	9BHC0-08045-N0	Bolt, engine attaching upper	-	1	49 13 -	10
22	S1A-80206-00-00	Silent block, fuel tank, left and right	-	2	25 12 -	10
23	9CHC0-06020-00	Bolt, fuel tank silent block left and right side	-	2	26 9 -	10
24	S3B-20101-00-00	Frame, main	Eur./Jap.	1	880 500 300	5460
24	S2B-20101-00-00	Frame, main	Rac.	1	880 500 300	5460
25	9R0PL-08018-00	Washer, engine attaching forward	-	1	17 1 -	10
26	9BHC0-08016-00	Screw, thrust of frame	-	2	20 16 -	10
27	S3A-90601-00-00	Registrar component styker	-	1	- - -	10
28	S2B-90602-00-00	Frame number styker	-	1	- - -	10



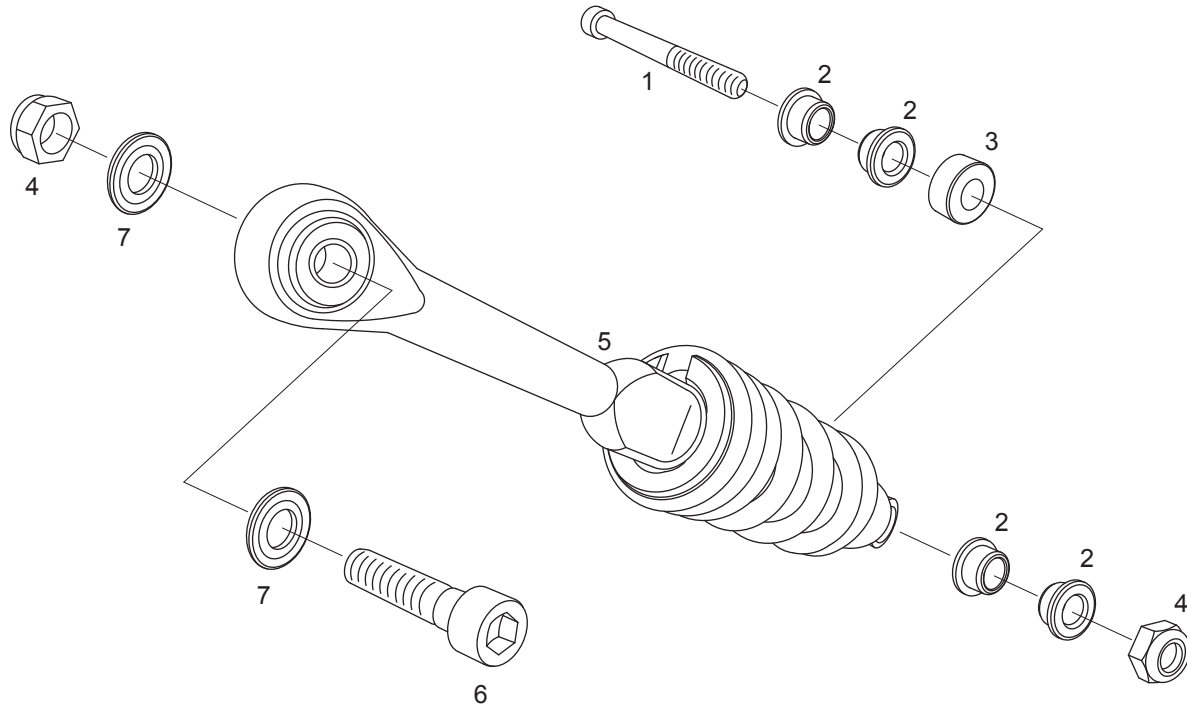
Item	Part Number	Description	Applicability	Qty	Dimensions (mm)	Wght. (g)
1	S1A-80301-00-00	Fender, rear	Eur./Jap.	1	940 170 360	670
2	S1A-90307-00-00	Sticker, rear fender aft left and right side	Eur./Jap.	2	185 - -	10
3	S1A-80101-00-00	Fender, front	-	1	550 120 100	10
4	9FHC0-05016-00	Bolt, front fender left and right side	-	2	16 10 -	10
5	9R0FR-05015-00	Washer, front fender, left and right side	-	2	15 4 -	10
6	9CHC0-06016-00	Bolt, front fender bracket	-	4	21 9 -	10
7	S1A-80102-00-00	Bracket, front fender	-	1	175 85 25	10
8	S3B-90101-00-00	Sticker, front fender	-	1	270 90 -	10
9	S3B-90301-00-00	Sticker, rear fender forward left side	Eur./Jap.	1	- - -	10
10	S3B-90303-00-00	Sticker, rear fender forward right side	Eur./Jap.	1	- - -	10



Item	Part Number	Description	Applicability	Qty	Dimensions (mm)			Wght. (g)
1	S2A-80301-00-00	Fender, rear	Rac.	1	890	170	75	400
2	S2A-90307-00-00	Sticker, rear fender aft left and right side	Rac.	2	185	-	-	10
3	S1A-80101-00-00	Fender, front	-	1	550	120	100	10
4	9FHC0-05016-00	Bolt, front fender left and right side	-	2	16	10	-	10
5	9R0FR-05015-00	Washer, front fender, left and right side	-	2	15	4	-	10
6	9CHC0-06016-00	Bolt, front fender bracket	-	4	21	9	-	10
7	S1A-80102-00-00	Bracket, front fender	-	1	175	85	25	10
8	S3B-90101-00-00	Sticker, front fender	-	1	53	15	-	10
9	S2B-90305-00-00	Sticker, rear fender forward	Rac.	1	-	-	-	10
10	S2B-90306-00-00	Sticker, rear fender aft	Rac.	1	-	-	-	10
11	S2A-30401-00-00	Tail light	Rac.	1	330	115	65	120
12	9VSPA-39095-N0	Screw, tail light	Rac.	1	5	12	-	5

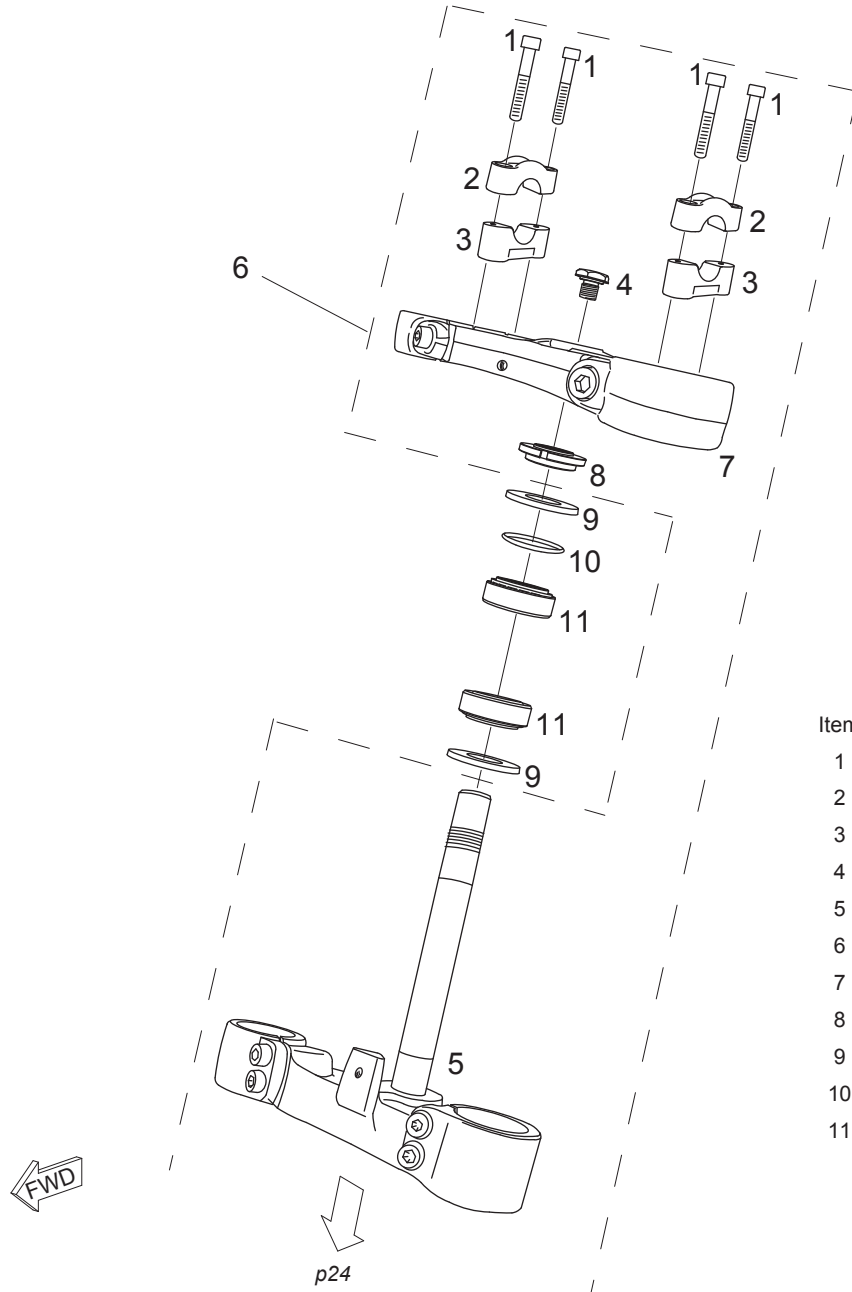


Item	Part Number	Description	Applicability	Qty	Dimensions (mm)	Wght. (g)
1	S1A-20305-00-00	Seal, chain guard	-	1	210 75 21	10
2	9VSTA-05016-00	Bolt, chain guard seal attaching lower	-	1	16 8 -	10
3	9BHCE-05040-N0	Bolt, chain guard seal attaching upper	-	1	43 10 -	10
4	9EC08-05000-00	Nut, chain guard attaching upper	-	1	8 5 -	10
5	9R0PL-05010-00	Washer, chain guard attaching upper	-	1	11 1 -	10
6	S1A-11201-00-00	Shift pedal assy	-	1	130 100 40	70
7	9CHC0-06020-00	Screw, shift pedal assy locking	-	1	26 9 -	10
8	9R0PL-08018-00	Washer, chain puller attaching	-	1	18 1 -	10
9	S3A-20303-00-00	Puller, chain	-	1	140 75 15	40
10	9VSAU-48016-00	Self-tapping screw, brake hose holder	-	1	20 9 -	5
11	9BHCE-08030-N0	Bolt, chain puller attaching	-	1	33 18 -	10
12	9EC08-06000-00	Nut, driven sprocket protective plate	-	2	10 6 -	10
13	38V-22199-00-00	.Protective plate, driven sprocket	-	1	128 100 12	10
14	9BHCE-06020-00	Bolt, driven sprocket protective plate	-	2	19 13 -	10
15	S1A-20301-00-00	Arm, swinging rear	-	1	583 225 145	2830
16	S1A-20306-00-00	Stop, rear brake caliper	-	1	25 20 15	10
17	9BHCE-05012-N0	Bolt, chain cover attaching	-	1	14 11 -	10
18	4GG-22311-20-00	.Cover, chain	-	1	180 37 80	10
19	9EC08-05000-00	Nut, chain cover attaching aft	-	1	8 5 -	10
20	S1A-90401-00-00	Sticker, rear arm left side	-	1	320 40 -	10
21	S1A-90402-00-00	Sticker, rear arm right side	-	1	320 40 -	10
22	9EC08-14000-00	Nut, rear arm axle	-	1	21 13 -	10
23	9R0NY-20033-00	Nylon washer, rear arm axle left and right side	-	2	35 2 -	10
24	9SP20-02604-00	Oil seal, rear arm axle left and right side	-	4	28 4 -	10
25	9E051-14020-00	Spacer, rear arm axle left and right side	-	2	50 20 -	60
26	9007H-K2030-00	Bearing, rear arm axle left and right side	-	2	30 25 -	20
27	S1A-20302-00-00	Axle, rear arm	-	1	240 17 -	90
28	9R0PL-06019-00	Washer, driven sprocket protective plate	-	2	55 10 -	10
29	S1A-20304-00-00	Skid, chain puller	-	1	48 47 30	90
30	S1A-20307-00-00	Spring, chain puller	-	1	54 10 -	10
31	90008-42812-00	Holder, brake hose	-	1	30 15 10	10

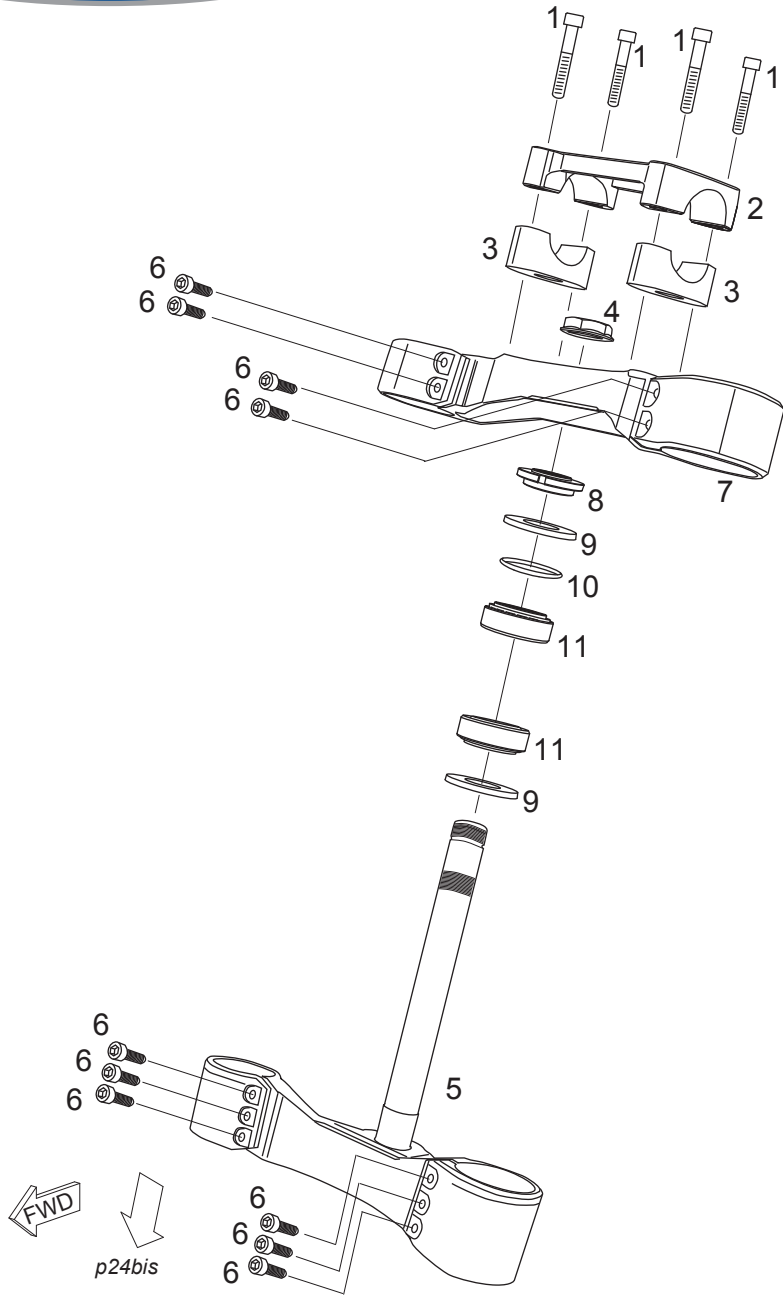


Item	Part Number	Description	Applicability	Qty	Dimensions (mm)	Wght. (g)
1	9CHC0-10090-00	Axle, rear suspension shock absorber lower	-	1	100 15 -	10
2	9E011-10020-15	Spacer, rear suspension shock absorber axle lower left and right	-	4	20 10 -	10
3	9E010-10022-00	Spacer, intermediate rear suspension shock absorber axle lower	-	1	21 10 -	10
4	9EC08-10000-00	Nut, rear suspension shock absorber axle upper and lower	-	2	10 16 -	10
5	S1A-20501-00-00	Shock absorber, rear suspension	-	1	435 68 -	2020
6	9CHC0-10045-00	Axle, rear suspension shock absorber upper	-	1	55 15 -	10
7	9ROPL-10022-00	Washer, rear suspension shock absorber axle upper	-	2	22 - -	10

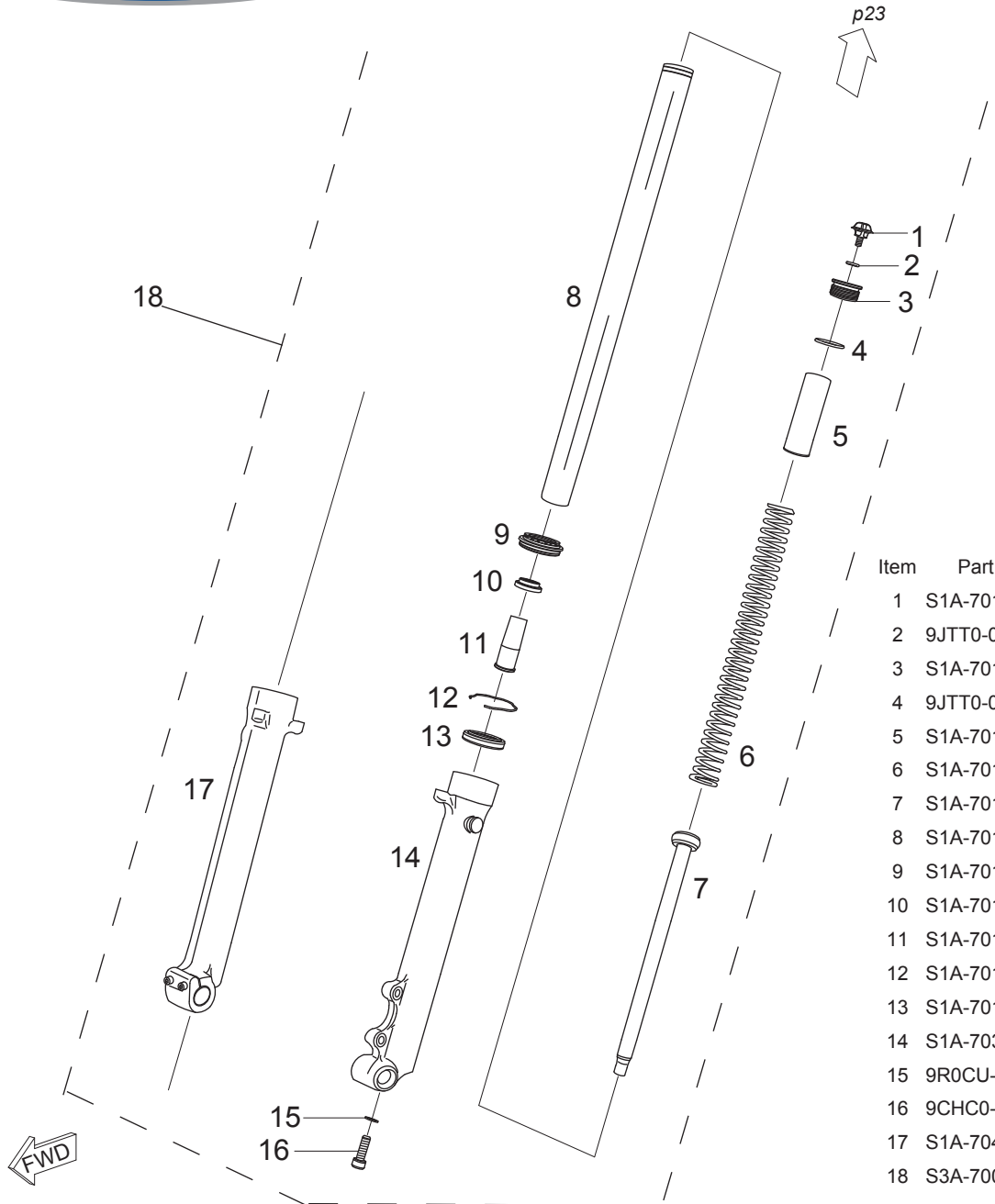




Item	Part Number	Description	Applicability	Qty	Dimensions (mm)	Wght. (g)
1	9CHC0-08050-00	.Bolt, handle holder	Eur./Jap.	4	58 12 -	10
2	S1A-70603-00-00	.Holder handle upper	Eur./Jap.	2	57 22 18	40
3	S1A-70602-00-00	.Holder handle lower	Eur./Jap.	2	58 21 18	20
4	S1A-70604-00-00	.Bolt, front fork cap	Eur./Jap.	1	25 21 -	10
5	S1A-70501-00-00	.Bracket, steering lower	Eur./Jap.	1	220 203 95	940
6	S3A-70000-00-00	Front fork assy	Eur./Jap.	1	830 230 80	7450
7	S1A-70601-00-00	.Crown, handle upper	Eur./Jap.	1	223 90 25	380
8	S1A-70503-00-00	.Nut, bearing support upper	-	1	50 12 -	10
9	S1A-70504-00-00	Washer, upper and lower bearing support nut	-	2	41 2 -	10
10	9JTT0-02538-00	O ring, upper bearing support nut	-	1	43 - -	10
11	S1A-70502-00-00	Bearing, steering upper and lower	-	2	40 20 -	90



Item	Part Number	Description	Applicability	Qty	Dimensions (mm)			Wght. (g)
1	9CHC0-08050-00	Bolt, handle holder	Rac.	4	58	12	-	10
2	S2A-70603-00-00	Holder handle upper	Rac.	1	105	55	20	65
3	S2A-70602-01-00	Holder handle lower	Rac.	2	55	24	22	20
4	S2A-70604-00-00	Bolt, front fork cap	Rac.	1	30	8	-	5
5	S2A-70501-00-00	Bracket, steering lower	Rac.	1	220	210	85	600
6	9CHC0-06020-N0	Screw, crown	Rac.	10	10	26	-	10
7	S2A-70601-00-00	Crown, handle upper	Rac.	1	220	85	35	270
8	S1A-70503-00-00	.Nut, bearing support upper	-	1	50	12	-	10
9	S1A-70504-00-00	Washer, upper and lower bearing support nut	-	2	41	2	-	10
10	9JTT0-02538-00	O ring, upper bearing support nut	-	1	43	-	-	10
11	S1A-70502-00-00	Bearing, steering upper and lower	-	2	40	20	-	90



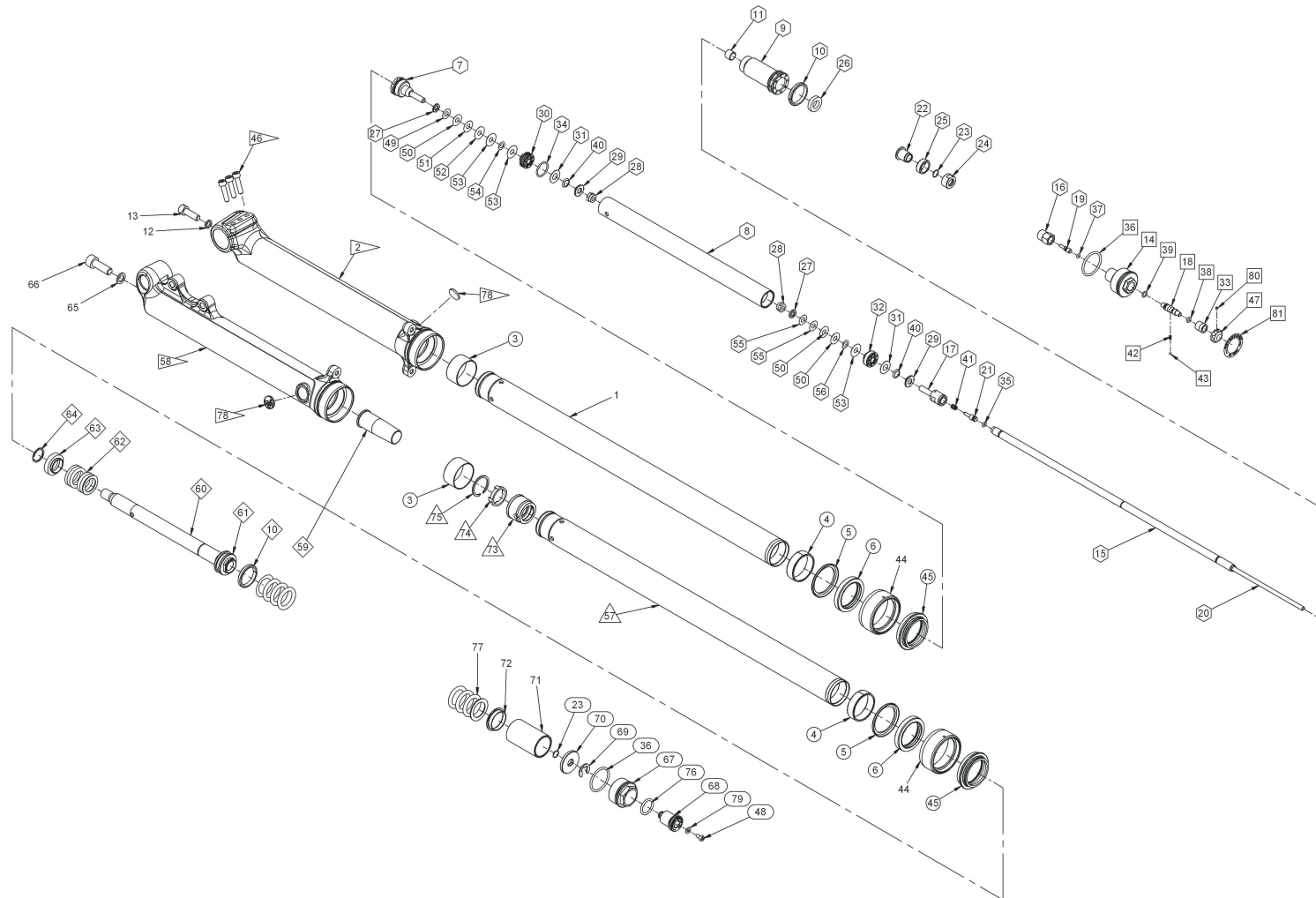
Item	Part Number	Description	Applicability	Qty	Dimensions (mm)	Wght. (g)
1	S1A-70103-00-00	.Bolt, front fork upper	Eur./Jap.	2	28 26 -	10
2	9JTT0-01507-00	.O ring, front fork upper bolt	Eur./Jap.	2	11 2 -	10
3	S1A-70102-00-00	.Cap, front fork upper	Eur./Jap.	2	37 18 -	10
4	9JTT0-02532-00	.O ring, front fork upper	Eur./Jap.	2	37 - -	10
5	S1A-70104-00-00	.Seat, spring front fork upper	Eur./Jap.	2	95 32 -	10
6	S1A-70110-00-00	.Spring, front fork	Eur./Jap.	2	340 32 -	270
7	S1A-70106-00-00	.Metering piston, front fork	Eur./Jap.	2	300 32 -	270
8	S1A-70101-00-00	.Cylinder, front fork	Eur./Jap.	2	570 36 -	1050
9	S1A-70108-00-00	.Dust seal, front fork	Eur./Jap.	2	54 15 -	10
10	S1A-70105-00-00	.Seat, spring front fork lower	Eur./Jap.	2	32 10 -	10
11	S1A-70107-00-00	.Bushing, metering piston front fork lower	Eur./Jap.	2	65 26 -	10
12	S1A-70109-00-00	.Snap ring, front fork	Eur./Jap.	2	58 - -	10
13	S1A-70111-00-00	.Oil seal, front fork	Eur./Jap.	2	50 8 -	10
14	S1A-70301-00-00	.Tube, outer front fork left side	Eur./Jap.	1	390 57 -	850
15	9R0CU-10016-00	.Seal, front fork lower	Eur./Jap.	2	16 - -	10
16	9CHC0-10030-00	.Bolt, front fork lower	Eur./Jap.	2	40 16 -	10
17	S1A-70401-00-00	.Tube, outer front fork right side	Eur./Jap.	1	390 57 -	850
18	S3A-70000-00-00	Front fork assy	Eur./Jap.	1	830 230 80	7450

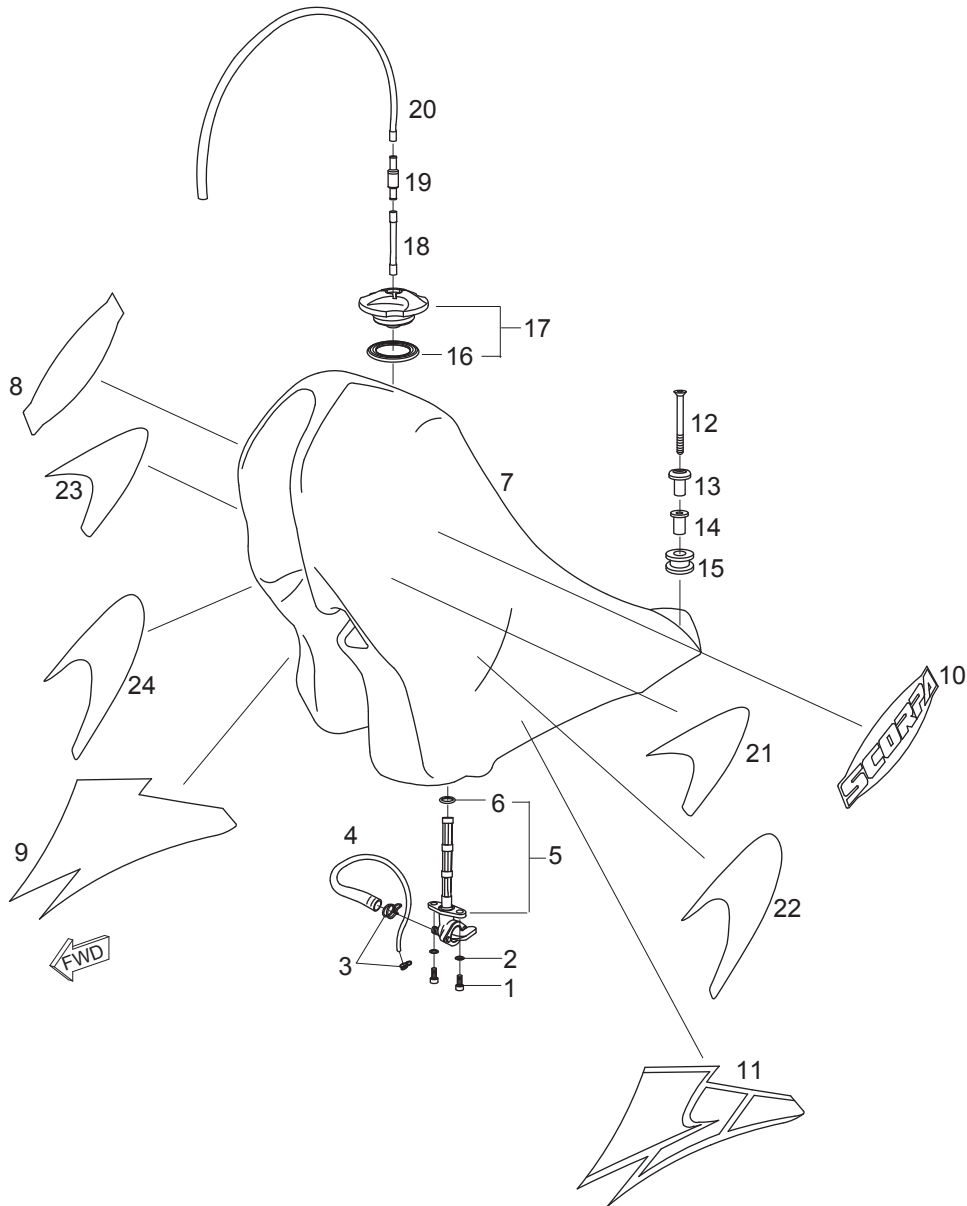
Item	Assembly	Part Number	Applicability	Qty
1	-	949.305.527	Rac.	1
2	-	949.407.070	Rac.	1
3	-	939.514.057	Rac.	2
4	-	929.514.012	Rac.	2
5	-	949.603.667	Rac.	2
6	-	929.608.012	Rac.	2
7	-	949.512.074	Rac.	1
8	-	949.502.210	Rac.	1
9	-	949.512.068	Rac.	1
10	-	949.504.027	Rac.	2

Item	Assembly	Part Number	Applicability	Qty
11	-	929.514.008	Rac.	1
12	-	929.603.002	Rac.	1
13	-	919.601.365	Rac.	1
14	-	949.311.587	Rac.	1
15	-	949.501.520	Rac.	1
16	-	949.602.040	Rac.	1
17	-	949.751.012	Rac.	1
18	-	949.511.022	Rac.	1
19	-	949.512.028	Rac.	1
20	-	949.501.519	Rac.	1

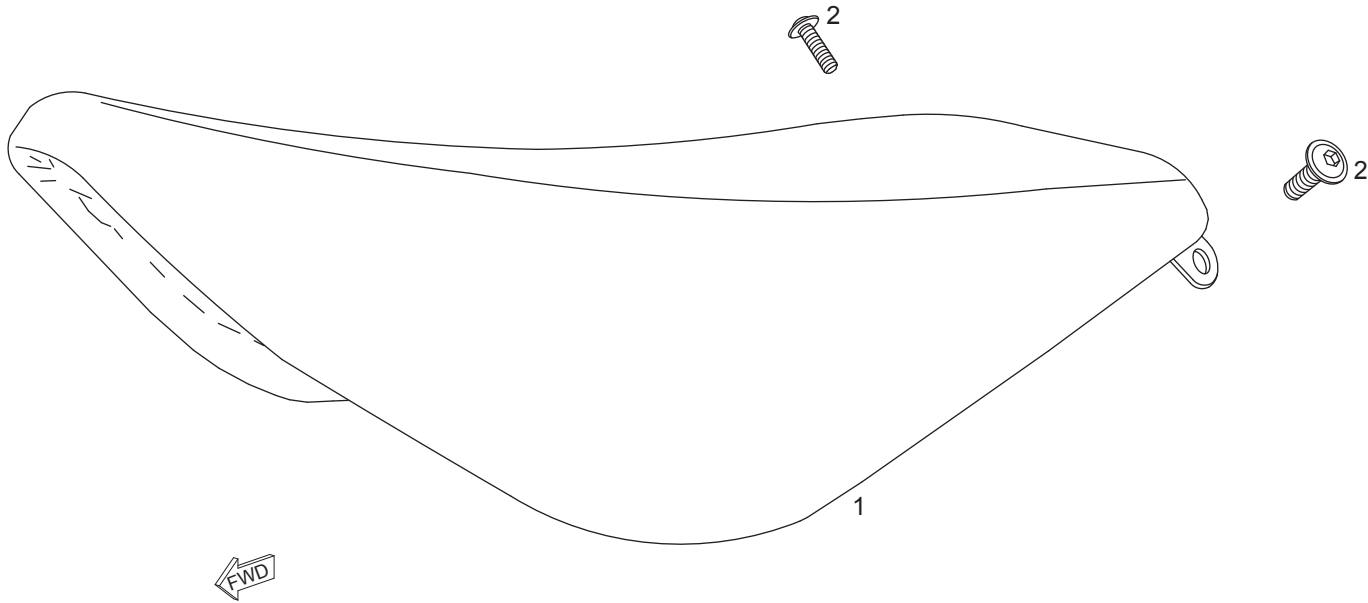
Item	Assembly	Part Number	Applicability	Qty
21	-	949.512.046	Rac.	1
22	-	949.130.023	Rac.	1
23	-	919.615.023	Rac.	2
24	-	949.126.011	Rac.	1
25	-	949.603.013	Rac.	1
26	-	949.204.046	Rac.	1
27	-	949.603.606	Rac.	2
28	-	919.602.130	Rac.	2
29	-	949.503.150	Rac.	2
30	-	949.503.046	Rac.	1

Item	Assembly	Part Number	Applicability	Qty
31	-	949.603.605	Rac.	2
32	-	849.502.002	Rac.	1
33	-	949.130.051	Rac.	1
34	-	919.614.038	Rac.	1
35	-	919.614.058	Rac.	1
36	-	919.614.051	Rac.	2
37	-	919.614.053	Rac.	1
38	-	919.614.055	Rac.	1
39	-	919.614.054	Rac.	1
40	-	949.513.005	Rac.	2
41	-	949.513.010	Rac.	1
42	-	949.314.003	Rac.	1
43	-	919.605.003	Rac.	1
44	-	949.130.144	Rac.	2
45	-	949.421.034	Rac.	2
46	-	919.601.475	Rac.	3
47	-	949.512.130	Rac.	1
48	-	919.601.525	Rac.	1
49	-	949.603.598	Rac.	1
50	-	949.603.600	Rac.	3
51	-	949.603.599	Rac.	1
52	-	949.603.603	Rac.	1
53	-	949.603.602	Rac.	3
54	-	949.603.593	Rac.	1
55	-	949.603.597	Rac.	2
56	-	949.603.594	Rac.	1
57	-	949.305.526	Rac.	1
58	-	949.417.270	Rac.	1
59	-	949.510.064	Rac.	1
60	-	949.501.521	Rac.	1
61	-	949.503.080	Rac.	1
62	-	949.508.029	Rac.	1
63	-	949.603.658	Rac.	1
64	-	919.615.035	Rac.	1
65	-	929.603.020	Rac.	1
66	-	919.601.395	Rac.	1
67	-	949.311.539	Rac.	1
68	-	949.751.044	Rac.	1
69	-	919.615.030	Rac.	1
70	-	949.603.617	Rac.	1
71	-	949.316.252	Rac.	1
72	-	949.603.765	Rac.	1
73	-	949.509.061	Rac.	1
74	-	949.507.034	Rac.	1
75	-	919.615.058	Rac.	1
76	-	919.614.008	Rac.	1
77	-	949.313.882	Rac.	1
78	-	949.007.055	Rac.	2
79	-	949.603.015	Rac.	1
80	-	919.601.170	Rac.	1
81	-	949.007.056	Rac.	1
82	-	949.007.038	Rac.	1
		849.350.115	Rac.	1
		849.311.524	Rac.	1
		849.400.068	Rac.	1
		849.202.138	Rac.	1
		849.307.031	Rac.	1
		849.203.130	Rac.	1
		849.311.123	Rac.	1
		849.340.068	Rac.	2

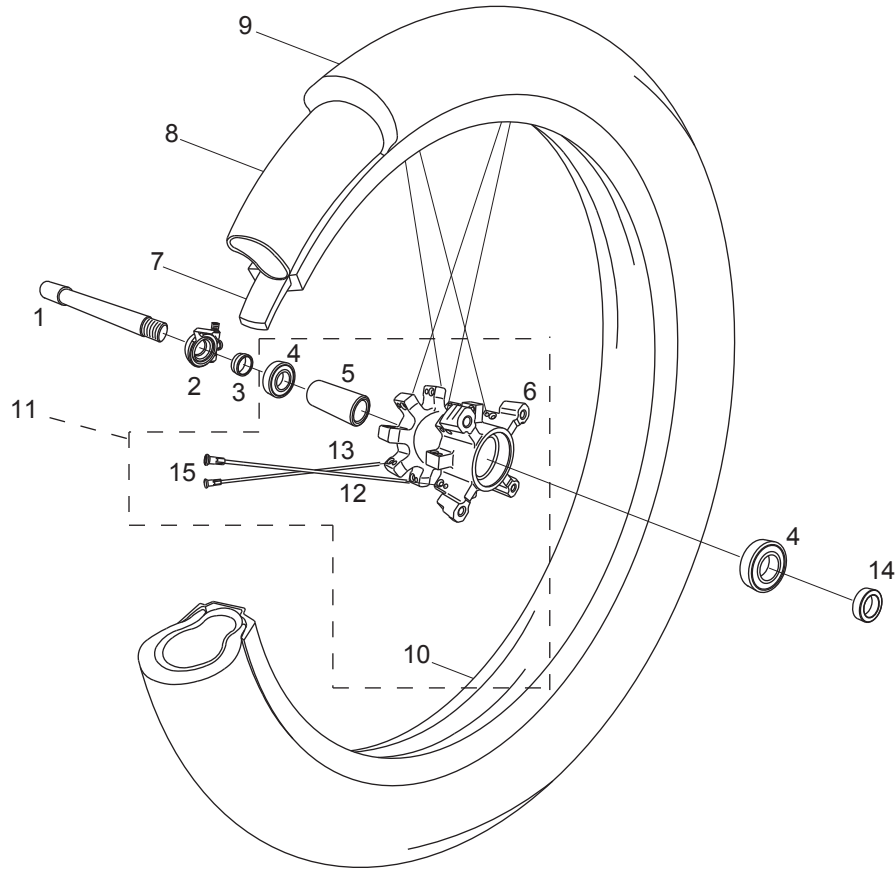




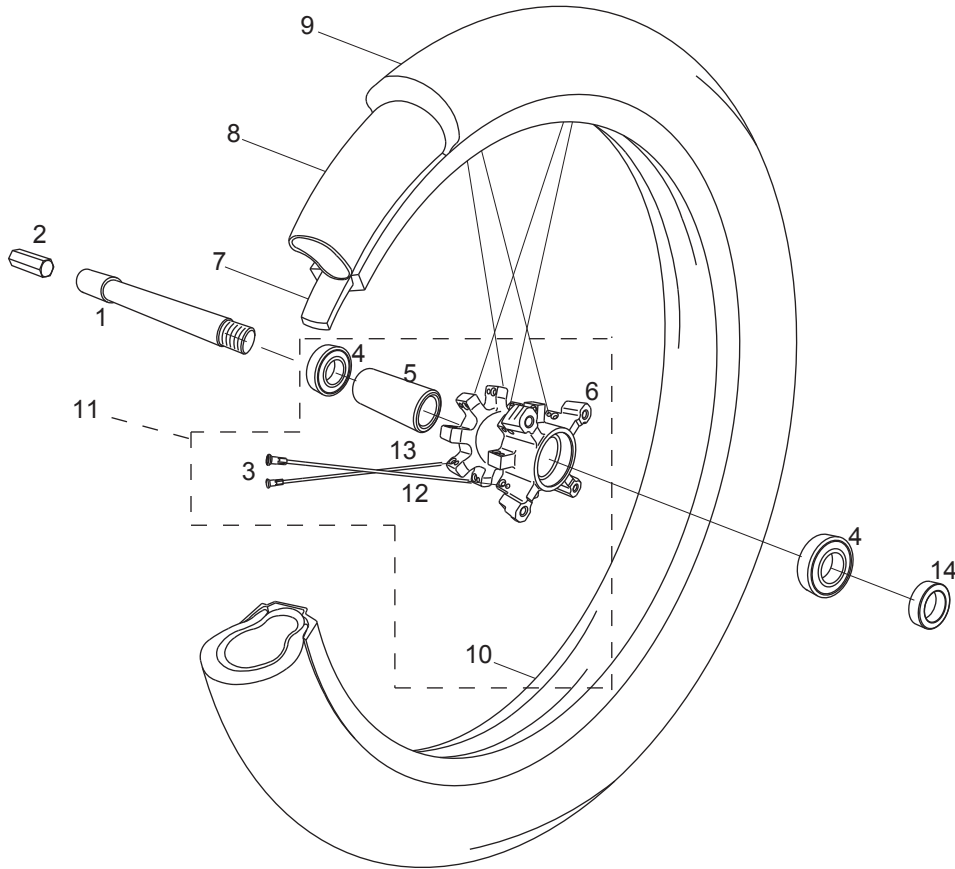
Item	Part Number	Description	Applicability	Qty	Dimensions (mm)	Wght. (g)
1	9CHC0-05012-00	Bolt, fuel cock left and right side	-	2	16 8 -	10
2	9R0SC-05009-00	Washer, fuel cock attaching	-	2	8 1 -	10
3	9CLDU-09000-00	Clip, fuel hose	-	2	20 7 -	10
4	9DU06-10000-00	Fuel hose	-	0,35	350 100 -	10
5	S1A-80203-00-00	Fuel cock assy	-	1	125 45 -	70
6	9JTT0-02011-00	.O ring, fuel cock	-	1	15 - -	10
7	S1A-80201-00-00	Fuel tank assy	-	1	47 26 18	1430
8	S1A-90202-00-00	Sticker, fuel tank upper right side	-	1	110 25 -	10
9	S3B-90203-00-00	Sticker, fuel tank lower right side	-	1	295 90 -	10
10	S1A-90202-00-00	Sticker, fuel tank upper left side	-	1	110 25 -	10
11	S3B-90201-00-00	Sticker, fuel tank lower left side	-	1	295 90 -	10
12	9FHC0-06070-00	Bolt, rear fender and tank	Eur./Jap.	1	70 11 -	10
12	9CHC0-06040-00	Bolt, rear fender and tank	Rac.	1	10 45 -	10
13	9E024-06021-10	Spacer, seat upper	Eur./Jap.	1	25 20 -	10
14	9E021-06018-12	Spacer, rear fender and tank	-	1	21 17 -	10
15	S1A-80205-00-00	Rubber fitting, fuel tank aft	-	1	29 17 -	10
16	S1A-80204-00-00	.Seal, fuel tank cap	-	1	56 - -	10
17	S1A-80202-00-00	Cap, fuel tank	-	1	70 35 -	40
18	9DU05-08000-00	Hose, fuel tank lower	-	0,06	60 5 -	10
19	90005-24380-00	Pipe joint assy, fuel tank	-	1	45 - -	10
20	9DU05-08000-00	Hose, fuel tank	-	0,53	530 - -	10
21	S3B-90201-01-00	Sticker, fuel tank upper left side forward	-	1	70 45 -	10
22	S3B-90201-02-00	Sticker, fuel tank lower left side forward	-	1	110 60 -	10
23	S3B-90203-01-00	Sticker, fuel tank upper right side forward	-	1	70 45 -	10
24	S3B-90203-02-00	Sticker, fuel tank lower right side forward	-	1	110 60 -	10



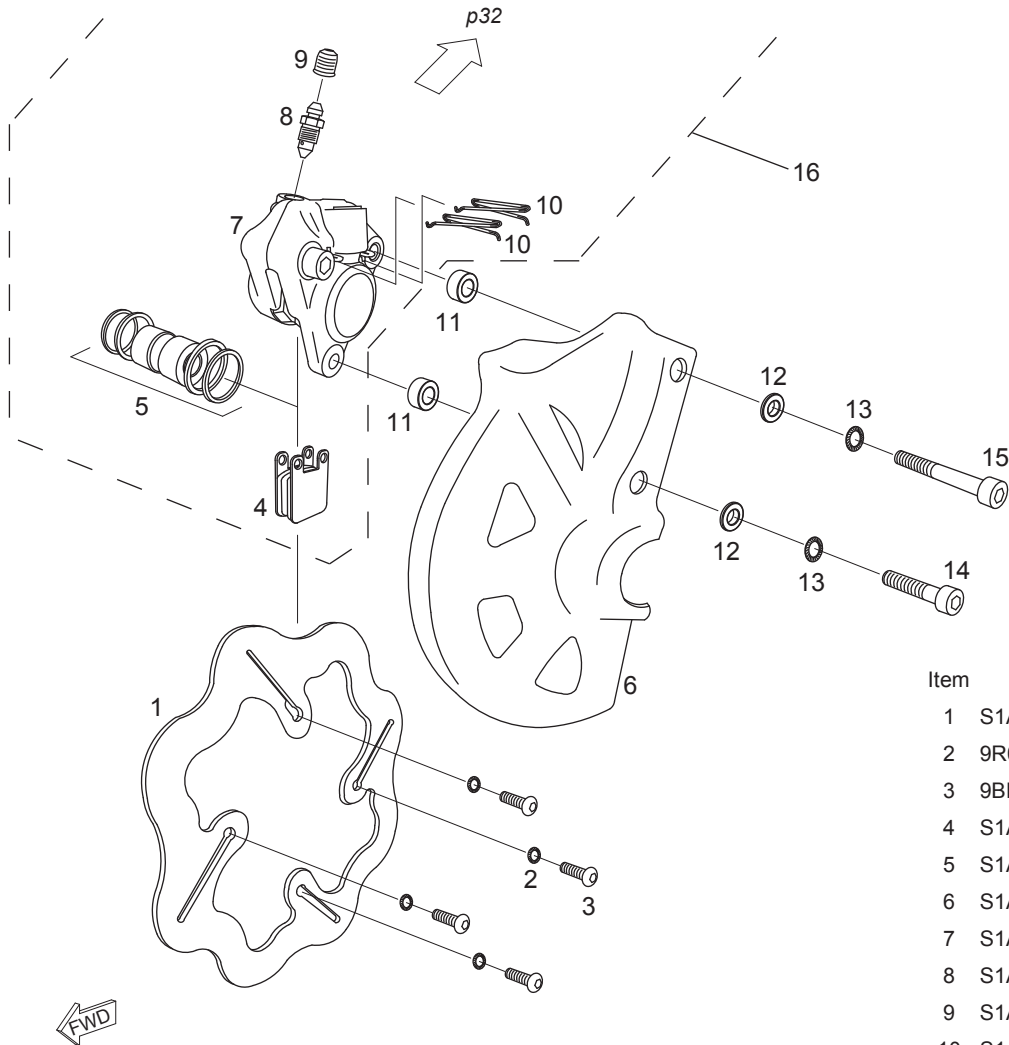
Item	Part Number	Description	Applicability	Qty	Dimensions (mm)	Wght. (g)
1	S1A-60101-00-00	Seat	Eur./Jap.	1	450 170 120	720
2	9BHCE-06020-00	Bolt, seat and rear fender left and right side	-	2	23 12 -	10



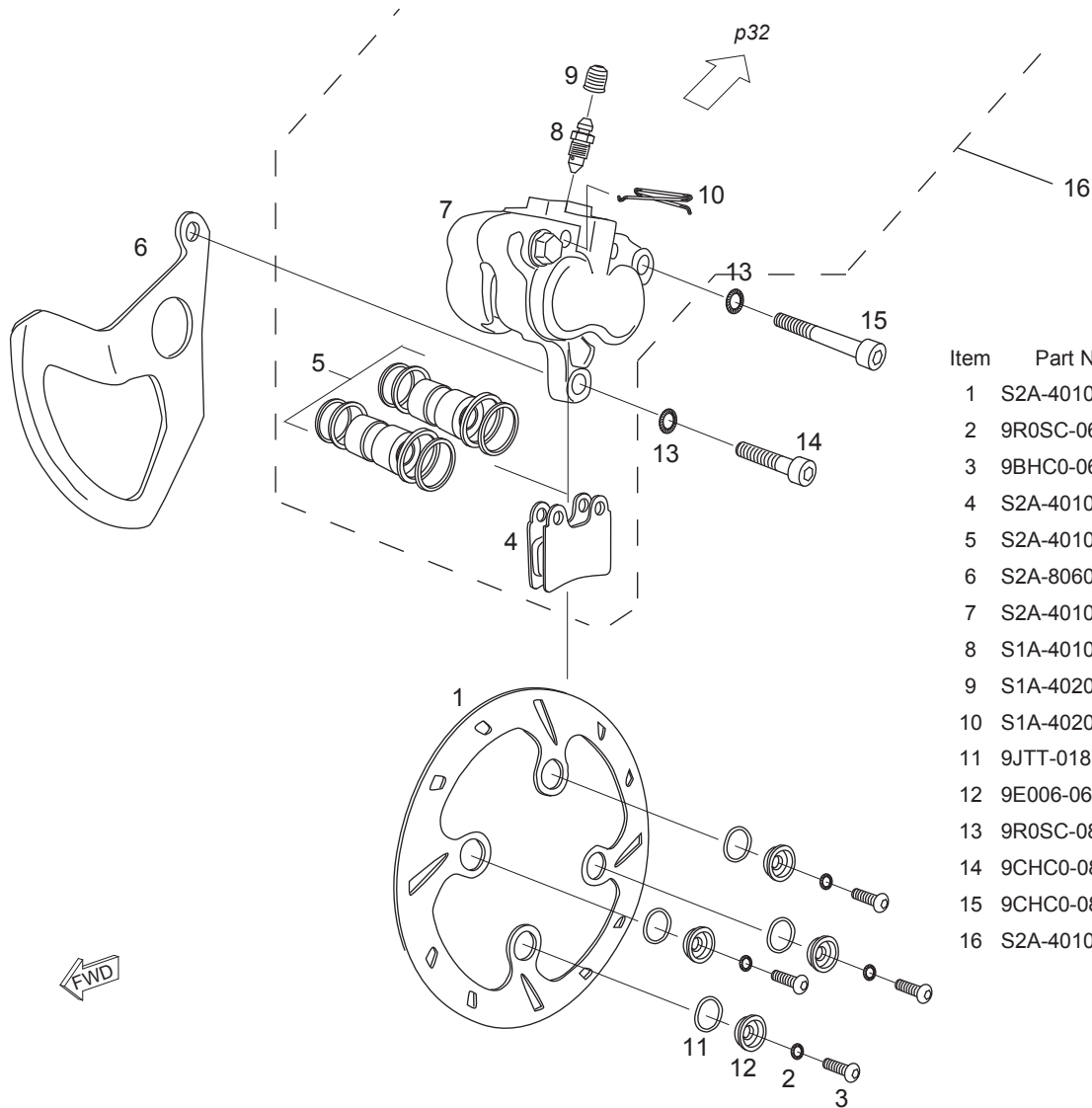
Item	Part Number	Description	Applicability	Qty	Dimensions (mm)			Wght. (g)
1	S1A-50302-00-00	Axle, front wheel	Eur./Jap.	1	197	25	-	180
2	S1A-60603-00-00	Gear unit, speedometer	Eur./Jap.	1	65	50	45	70
3	9E010-20024-23	Spacer, speedometer gear unit	Eur./Jap.	1	24	10	-	10
4	93306-00402-00	.Bearing, front wheel, left and right side	Eur./Jap.	2	42	11	-	60
5	9E065-20026-00	.Spacer, front wheel bearings	Eur./Jap.	1	70	25	-	10
6	S1A-50301-00-00	.Hub, front wheel	Eur./Jap.	1	109	93	109	300
7	90037-25021-00	Band, rim front wheel	-	1	-	-	-	10
8	S3A-50104-00-00	Tube, tire front wheel 275x21	-	1	650	-	-	10
9	S3A-50103-00-00	Tire, front wheel 300x21	-	1	700	110	-	3450
10	9J160-02132-00	.Rim, front wheel	Eur./Jap.	1	560	58	-	1420
11	S3A-50101-00-00	Front wheel assy	Eur./Jap.	1	555	90	-	2500
12	9RAY0-03257-00	.Spoke set, wheel front left side	Eur./Jap.	16	257	-	-	10
13	9RAY0-03254-00	.Spoke set, wheel front right side	Eur./Jap.	16	254	-	-	10
14	9E009-20030-00	Spacer, front wheel	Eur./Jap.	1	29	9	-	10
15	9ECRA-03055-00	.Nut, front wheel spoke set	Eur./Jap.	32	18	10	-	10



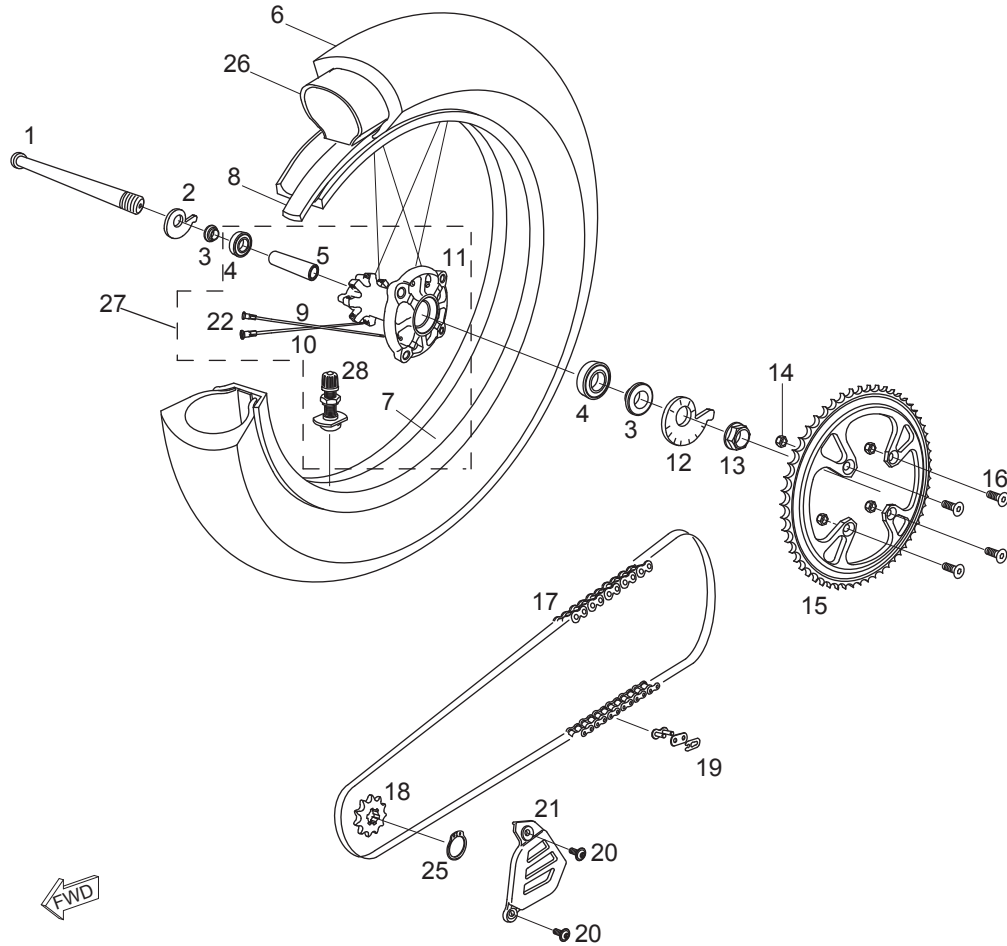
Item	Part Number	Description	Applicability	Qty	Dimensions (mm)	Wght. (g)
1	S2A-50302-00-00	Axle, front wheel	Rac.	1	195 30 -	190
2	90004-06330-00	Tool for disassembling	Rac.	1	40 14 14	50
3	9ECRA-03055-01	.Nut, front wheel spoke set	Rac.	32	18 10 -	10
4	93306-90502-00	.Bearing, front wheel, left and right side	Rac.	2	42 11 -	60
5	9E068-25032-00	.Spacer, front wheel bearings	Rac.	1	70 25 -	10
6	S2A-50301-00-00	.Hub, front wheel	Rac.	1	109 93 109	300
7	90037-25021-00	Band, rim front wheel	-	1	- - -	10
8	S3A-50104-00-00	Tube, tire front wheel 275x21	-	1	650 - -	10
9	S3A-50103-00-00	Tire, front wheel 300x21	-	1	700 110 -	3450
10	9J160-02132-01	.Rim, front wheel	Rac.	1	560 58 -	1380
11	S2A-50101-00-00	Front wheel assy	Rac.	1	555 90 -	2470
12	9RAY0-03257-01	.Spoke set, wheel front left side	Rac.	16	257 - -	10
13	9RAY0-03254-01	.Spoke set, wheel front right side	Rac.	16	254 - -	10
14	9E012-25035-28	Spacer, front wheel	Rac.	1	29 9 -	10



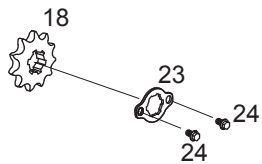
Item	Part Number	Description	Applicability	Qty	Dimensions (mm)	Wght. (g)
1	S1A-40103-00-00	Disc, front brake	Eur./Jap.	1	187 3 -	280
2	9R0SC-06010-00	Washer, front brake disc	-	4	10 - -	10
3	9BHC0-06020-00	Bolt, front brake disc	-	4	23 10 -	10
4	S1A-40102-00-00	.Pad kit, front brake	Eur./Jap.	1	45 35 15	10
5	S1A-40106-00-00	.Repair kit, front brake caliper	Eur./Jap.	1	90 30 -	10
6	S1A-80601-00-00	Cover, front brake disc	Eur./Jap.	1	240 55 130	50
7	S1A-40101-00-00	.Caliper, front brake with pad kit	Eur./Jap.	1	100 55 65	330
8	S1A-40105-00-00	.Bolt, caliper bleed front brake	-	1	27 10 -	10
9	S1A-40208-00-00	.Cap, caliper bleed bolt front brake	-	1	10 12 -	10
10	S1A-40206-00-00	.Lock pin, pad kit front brake	-	2	50 - -	10
11	9E008-09015-00	Spacer, front brake cover and caliper	Eur./Jap.	2	15 7 -	10
12	9E005-09016-11	Flanged washer, front brake cover and caliper	Eur./Jap.	2	15 5 -	10
13	9R0SC-08013-00	Washer, front brake cover and caliper	-	2	13 - -	10
14	9CHC0-08040-00	Bolt, front brake cover and caliper lower	Eur./Jap.	1	47 12 -	10
15	9CHC0-08065-00	Bolt, front brake cover and caliper upper	Eur./Jap.	1	70 12 -	10
16	S3A-40100-00-00	Front brake assy	Eur./Jap.	1	1200 100 60	760



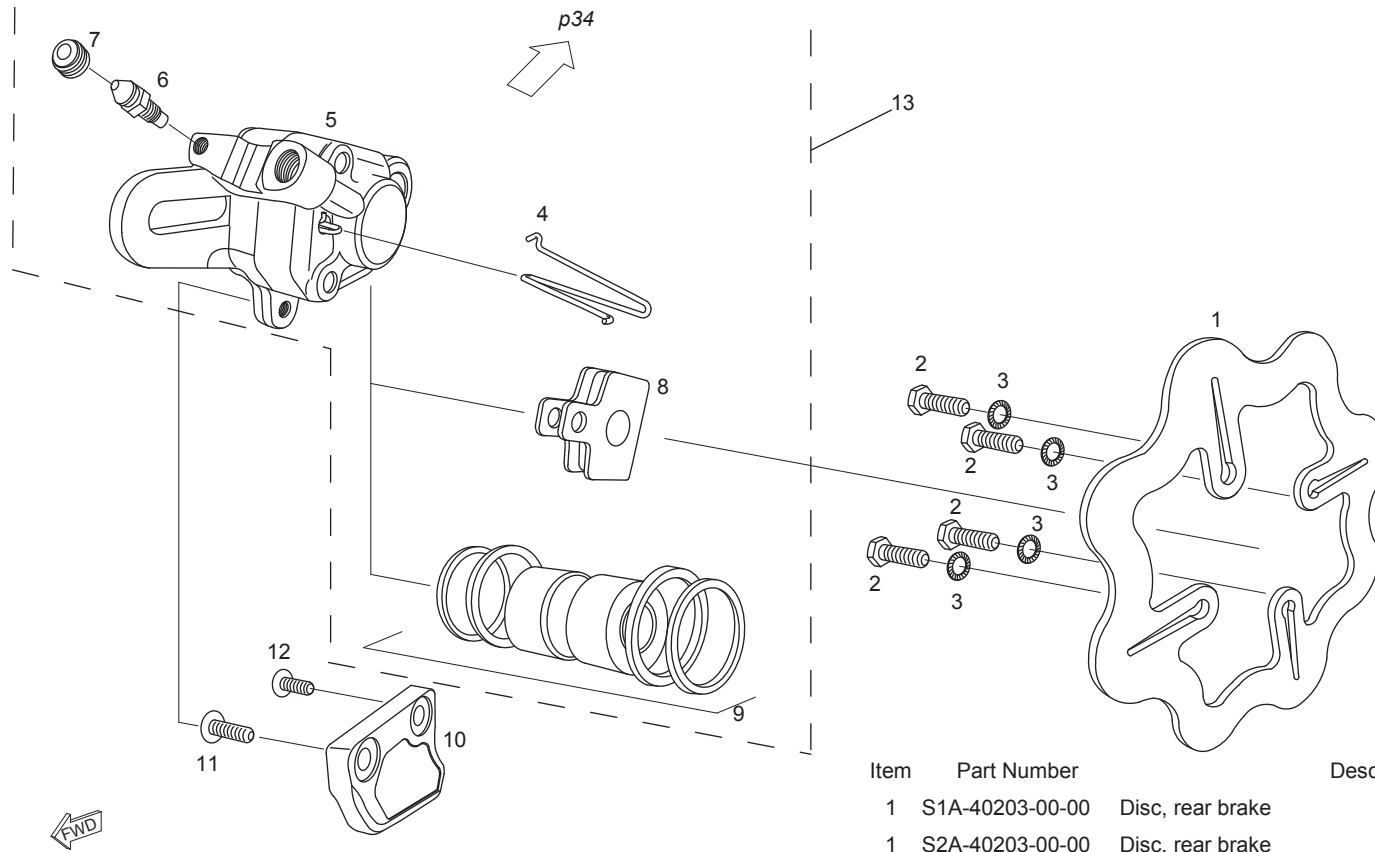
Item	Part Number	Description	Applicability	Qty	Dimensions (mm)	Wght. (g)
1	S2A-40103-01-00	Disc, front brake	Rac.	1	187 3 -	280
2	9R0SC-06010-00	Washer, front brake disc	-	4	10 - -	10
3	9BHC0-06020-00	Bolt, front brake disc	-	4	23 10 -	10
4	S2A-40102-00-00	.Pad kit, front brake	Rac.	1	60 35 15	40
5	S2A-40106-00-00	.Repair kit, front brake caliper	Rac.	1	90 30 -	10
6	S2A-80601-00-00	Cover, front brake disc	Rac.	1	150 120 10	45
7	S2A-40101-00-00	.Caliper, front brake with pad kit	Rac.	1	100 55 65	350
8	S1A-40105-00-00	.Bolt, caliper bleed front brake	-	1	27 10 -	10
9	S1A-40208-00-00	.Cap, caliper bleed bolt front brake	-	1	10 12 -	10
10	S1A-40206-00-00	.Lock pin, pad kit front brake	-	1	50 - -	10
11	9JTT-01815-00	Joint, front brake disc	Rac.	4	18 2 -	5
12	9E006-06018-15	Washer, front brake disc	Rac.	4	18 6 -	5
13	9R0SC-08013-00	Washer, front brake cover and caliper	-	2	13 - -	10
14	9CHC0-08030-00	Bolt, front brake cover and caliper lower	Rac.	1	38 12 -	10
15	9CHC0-08055-00	Bolt, front brake cover and caliper upper	Rac.	1	63 12 -	10
16	S2A-40100-01-00	Front brake assy	Rac.	1	1200 100 60	760



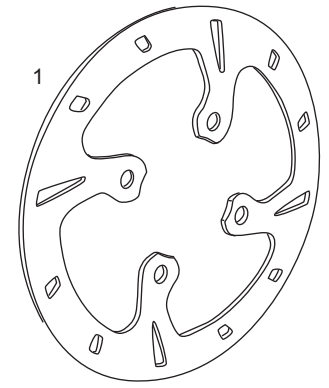
Europe



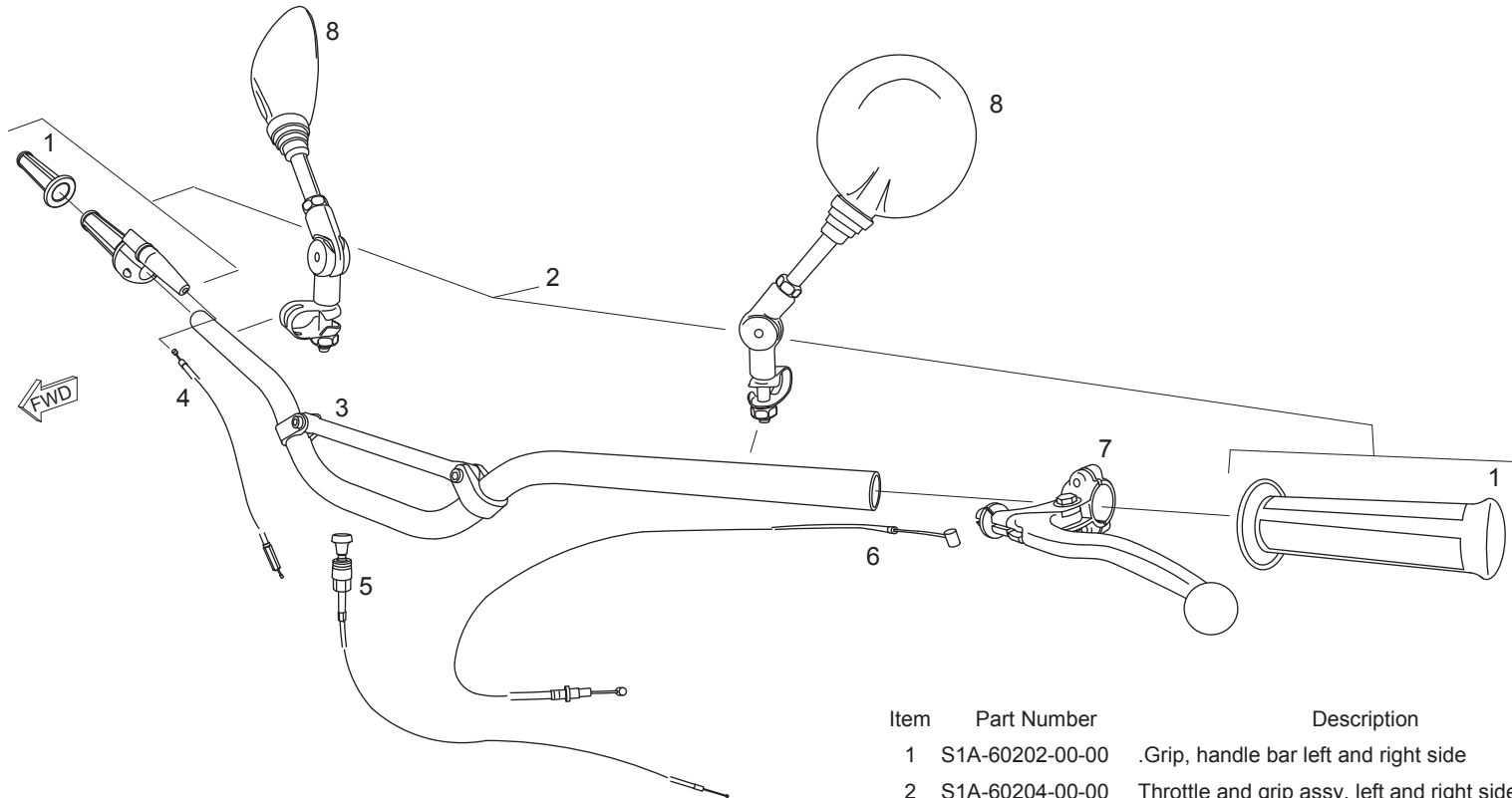
Item	Part Number	Description	Applicability	Qty	Dimensions (mm)	Wght. (g)
1	S1A-50402-00-00	Axle, rear wheel	-	1	230 27 -	150
2	S1A-50404-00-00	Tensioner, rear wheel right side	-	1	60 45 5	10
3	9E013-17032-00	Spacer, bearing rear wheel left and right side	-	2	31 13 -	10
4	93306-00402-00	.Bearing, front and rear wheel, left and right side	Eur./Jap.	2	42 11 -	60
5	9E121-20026-00	.Spacer, rear wheel bearings	Eur./Jap.	1	130 25 -	10
6	S3A-50203-00-00	Tire, rear wheel 400x18 Tubetype	Eur./Jap.	1	690 110 -	5800
6	S2A-50203-00-00	Tire, rear wheel 400x18 Tubeless	Rac.	1	690 110 -	5800
7	9J215-01832-00	.Rim, rear wheel	Eur./Jap.	1	485 74 -	2010
7	9J215-01832-01	.Rim, rear wheel	Rac.	1	485 74 -	2010
8	90044-34018-00	Band, rim rear wheel	Eur./Jap.	1	- - -	10
8	90044-34018-01	Band, rim rear wheel	Rac.	1	- - -	10
9	9RAY0-35222-00	.Spoke set, long wheel rear left side	Eur./Jap.	16	224 5 -	10
9	9RAY0-35222-01	.Spoke set, long wheel rear left side	Rac.	16	224 5 -	10
10	9RAY0-35215-00	.Spoke set, short wheel rear right side	Eur./Jap.	16	216 5 -	10
10	9RAY0-35215-01	.Spoke set, short wheel rear right side	Rac.	16	216 5 -	10
11	S1A-50401-00-00	.Hub, rear wheel	Eur./Jap.	1	145 120 -	500
11	S1A-50401-01-00	.Hub, rear wheel	Rac.	1	145 120 -	500
12	S1A-50403-00-00	Tensioner, rear wheel left side	-	1	60 45 5	10
13	S1A-50405-00-00	Nut, rear wheel axle	-	1	30 12 -	10
14	9EC08-08000-00	Nut, driven sprocket attaching	-	4	12 8 -	10
15	9C080-00428-57	Driven sprocket	-	1	235 8 -	280
16	9FHC0-08025-00	Bolt, driven sprocket attaching	-	4	30 15 -	10
17	9CHA4-28128-00	Chain (130 links)	Jap./Rac.	1	- - -	1120
17	9CHA4-28132-00	Chain (132 links)	Eur.	1	- - -	1120
18	9P016-20428-11	Sprocket, drive (11 teeth)	Jap./Rac.	1	48 9 -	60
18	9P016-20428-14	Sprocket, drive (14 teeth)	Eur.	1	60 10 -	100
19	9ATRA-42800-00	.Joint, chain	-	1	24 16 -	10
20	9BHCE-06016-00	Bolt, sprocket drive cover attaching	-	2	19 13 -	10
21	S1A-10901-00-00	Cover, sprocket drive	-	1	120 88 12	60
22	9ECRA-35070-00	.Nut, rear wheel spoke set	Eur./Jap.	32	- - -	10
22	9ECRA-35070-01	.Nut, rear wheel spoke set	Rac.	32	- - -	10
23	90062-17456-00	Holder, sprocket	Eur.	1	40 30 5	10
24	9THE0-60100-00	Screw, sprocket holder attaching	Eur.	2	5 10 -	5
25	9CIRC-02014-00	Circlip, sprocket attaching	Jap./Rac.	1	20 18 1	5
26	S3A-50204-00-00	Tire tube	Eur./Jap.	1	80 580 -	690
27	S3A-50201-00-00	Rear wheel assy	Eur./Jap.	1	145 485 -	3200
27	S2A-50201-00-00	Rear wheel assy	Rac.	1	145 485 -	3200
28	S2A-50205-00-00	.Valve, rim	Rac.	1	40 25 20	10



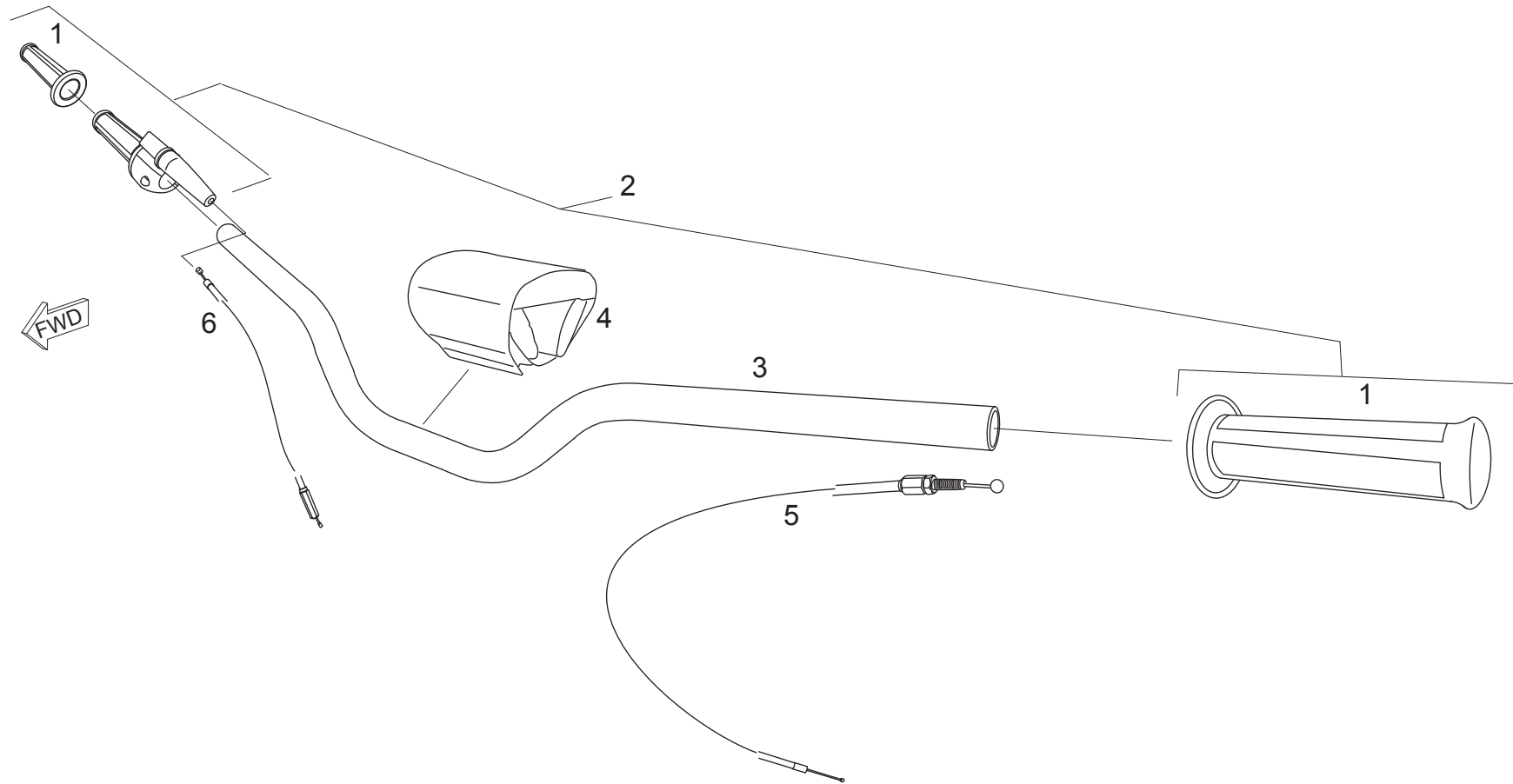
Racing :



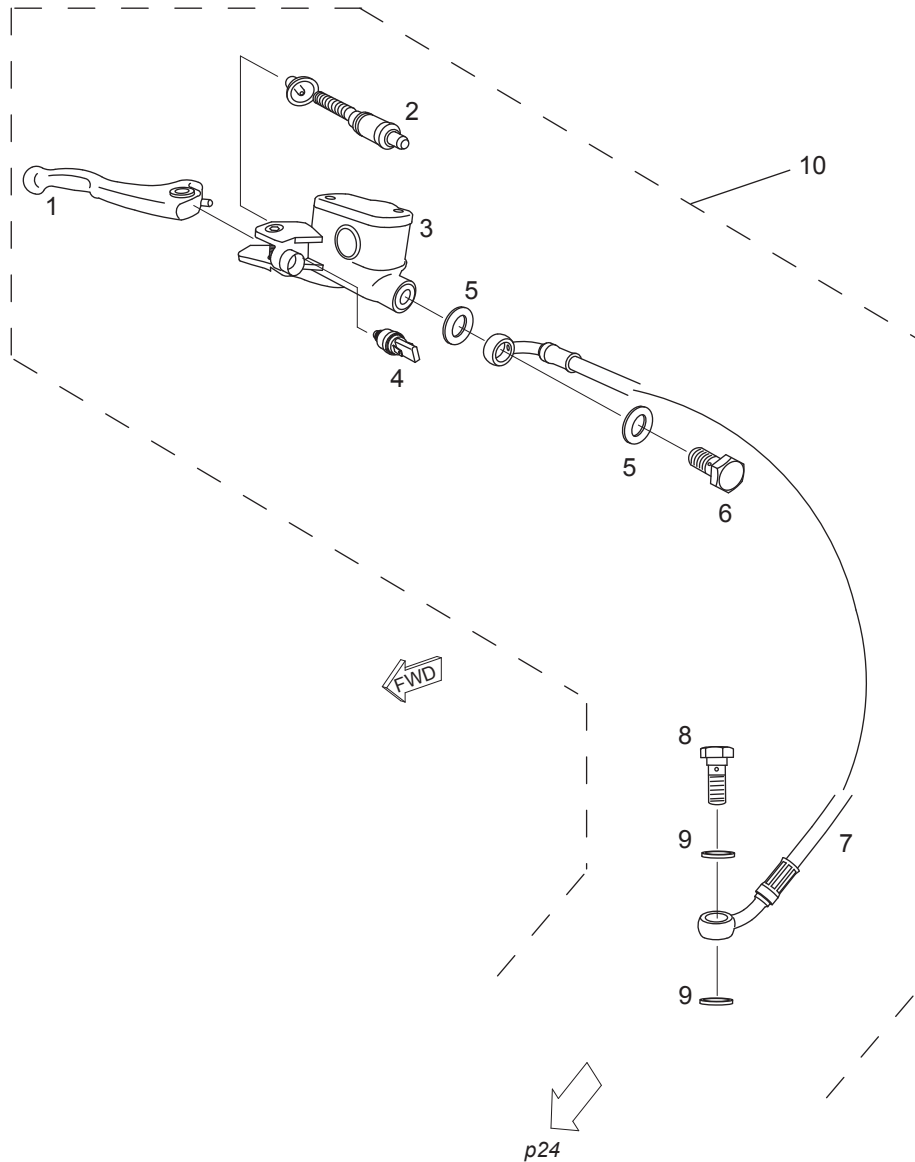
Item	Part Number	Description	Applicability	Qty	Dimensions (mm)	Wght. (g)
1	S1A-40203-00-00	Disc, rear brake	Eur./Jap.	1	142 3 -	170
1	S2A-40203-00-00	Disc, rear brake	Rac.	1	142 2 -	125
2	90TH0-06020-00	Bolt, rear brake disc attaching	-	4	24 10 -	10
3	9R0SC-06010-00	Washer, rear brake disc attaching	-	4	10 - -	10
4	S1A-40206-00-00	.Lock pin, pad kit rear brake	-	1	50 - -	10
5	S1A-40201-00-00	.Caliper, rear brake with pad kit	-	1	155 65 65	400
6	S1A-40207-00-00	.Bolt, caliper bleed rear brake	-	1	24 7 -	10
7	S1A-40208-00-00	.Cap, caliper bleed bolt rear brake	-	1	11 10 -	10
8	S1A-40202-00-00	.Pad kit, rear brake	-	1	40 35 12	10
9	S1A-40209-00-00	.Repair kit, rear brake caliper	-	1	90 30 -	10
10	S3A-80805-00-00	Protective plate, rear brake disc	-	1	115 75 15	10
11	9BHCE-06020-00	Bolt, rear brake disk protective plate attaching forward	-	1	23 13 -	10
12	9BHCE-06016-00	Bolt, rear brake disk protective plate attaching aft	-	1	12 13 -	10
13	S3A-40200-00-00	Rear brake assy	-	1	900 80 60	650



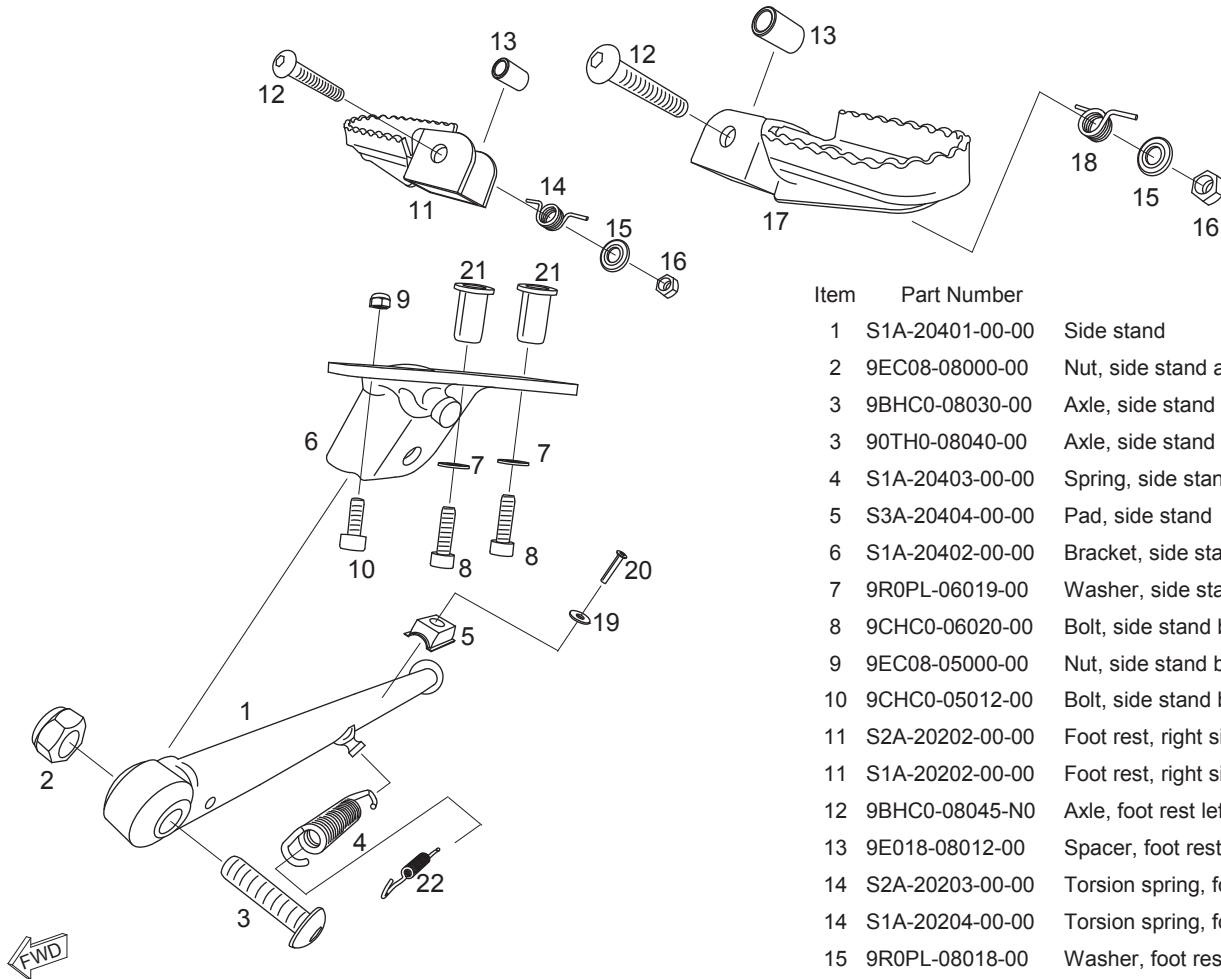
Item	Part Number	Description	Applicability	Qty	Dimensions (mm)	Wght. (g)
1	S1A-60202-00-00	.Grip, handle bar left and right side	-	2	124 45 -	10
2	S1A-60204-00-00	Throttle and grip assy, left and right side	-	1	225 65 50	130
3	S1A-60201-00-00	Handle bar	Eur./Jap.	1	800 100 -	720
4	S1A-60301-00-00	Cable, throttle	-	1	950 - -	30
5	5HP-26331-00-00	.Starter cable	Eur./Jap.	1	100 22 -	30
6	S1A-60302-00-00	Cable, clutch	Eur./Jap.	1	90 - -	10
7	S1A-60401-00-00	Clutch lever	Eur./Jap.	1	195 65 40	120
8	S3A-60501-00-00	Rear view mirror assy	Eur./Jap.	2	290 115 30	250



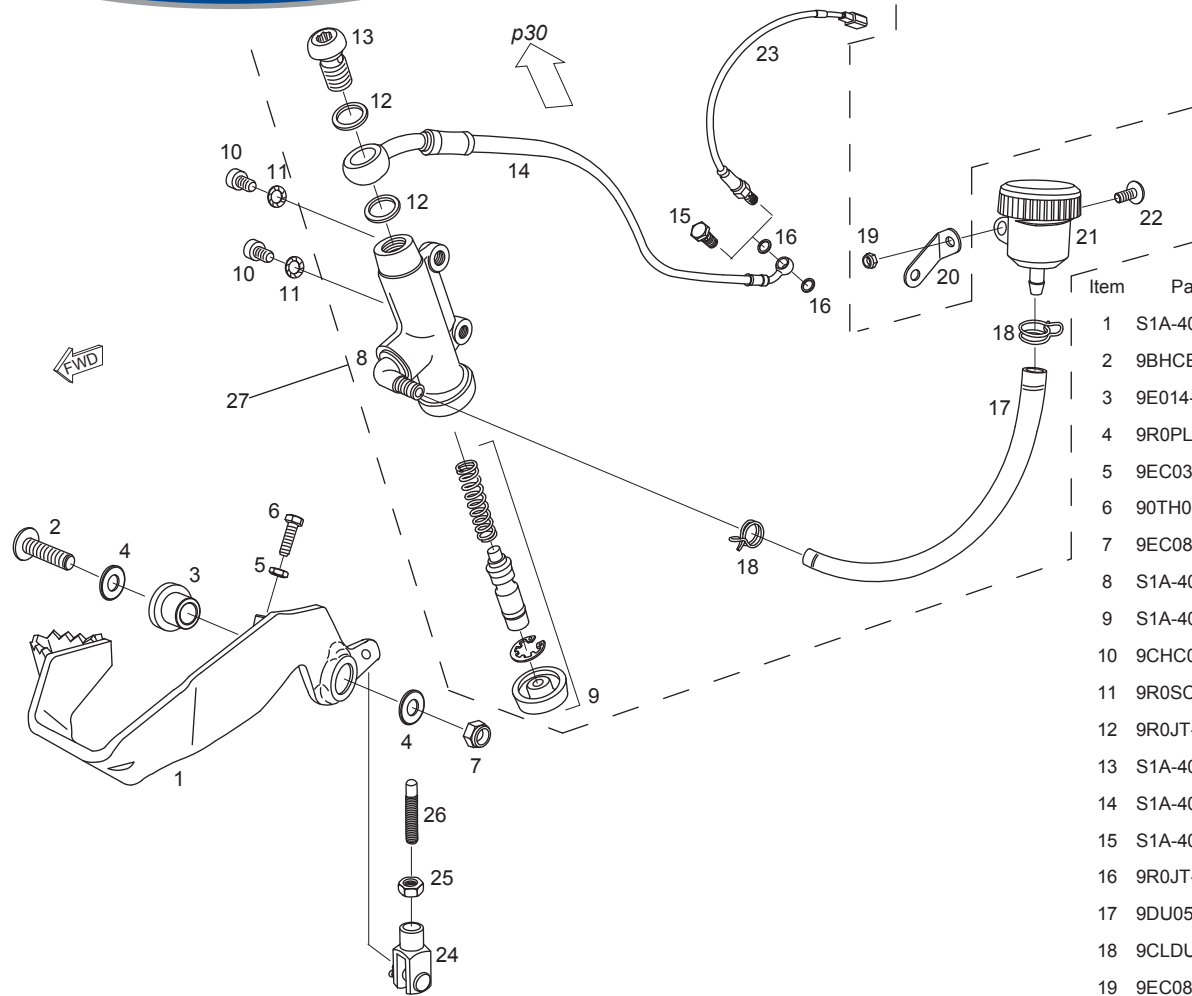
Item	Part Number	Description	Applicability	Qty	Dimensions (mm)	Wght. (g)
1	S1A-60202-00-00	.Grip, handle bar left and right side	-	2	124 45 -	10
2	S1A-60204-00-00	Throttle and grip assy, left and right side	-	1	225 65 50	130
3	S2A-60201-00-00	Handle bar	Rac.	1	810 140 55	600
4	S2A-60205-00-00	Foam protection	Rac.	1	85 65 55	25
5	S2A-60303-00-00	Starter cable	Rac.	1	820 5 -	55
6	S1A-60301-00-00	Cable, throttle	-	1	950 - -	30



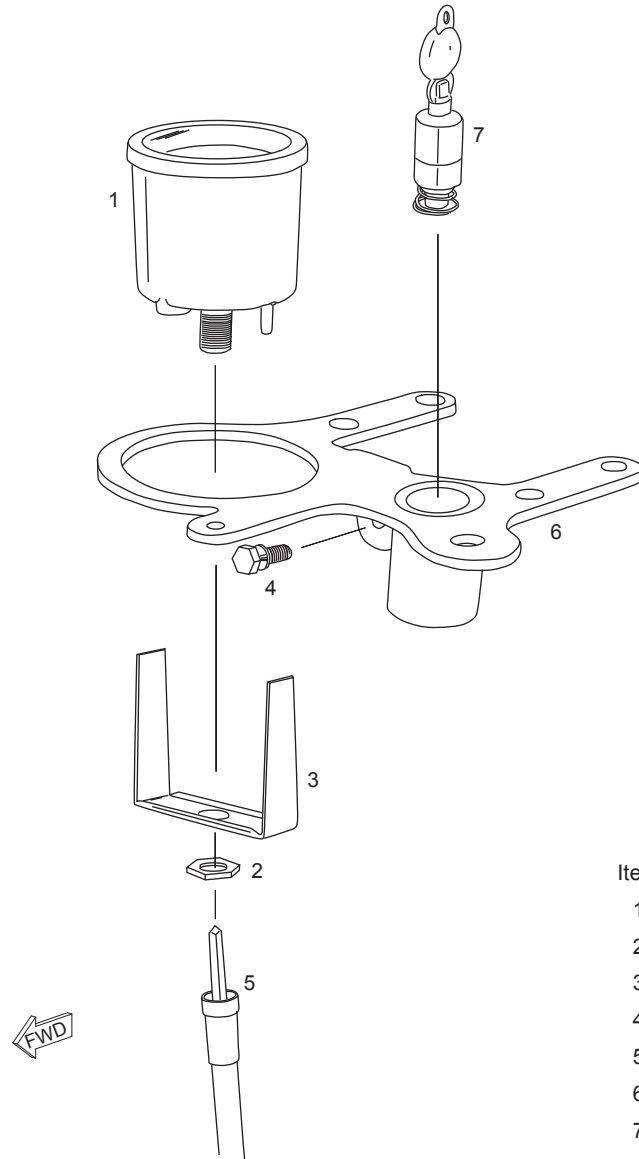
Item	Part Number	Description	Applicability	Qty	Dimensions (mm)	Wght. (g)
1	S1A-40701-00-00	.Lever, front brake	-	1	135 20 40	10
2	S1A-40502-00-00	.Repair kit, front master cylinder assembly	-	1	130 - -	10
3	S1A-40501-00-00	.Front master cylinder assembly	-	1	205 50 125	210
4	S3A-40503-00-00	.Sensor, brake light handle	-	1	37 11 -	10
5	9R0JT-10014-00	.Washer, front brake master cylinder hose	-	2	13 - -	10
6	S1A-40104-00-00	.Bolt, union front brake master cylinder	-	1	27 14 -	10
7	S1A-40301-00-00	.Hose, front brake	-	1	50 - -	10
7	S2A-40301-00-00	.Hose, front brake	-	1	50 - -	10
8	S1A-40104-00-00	.Bolt, union front brake caliper	-	1	27 14 -	10
9	9R0JT-10014-00	.Washer, front brake caliper hose	-	2	13 - -	10
10	S3A-40100-00-00	Front brake assy	Eur./Jap.	1	1200 100 60	760
10	S2A-40100-01-00	Front brake assy	Rac.	1	1200 100 60	760



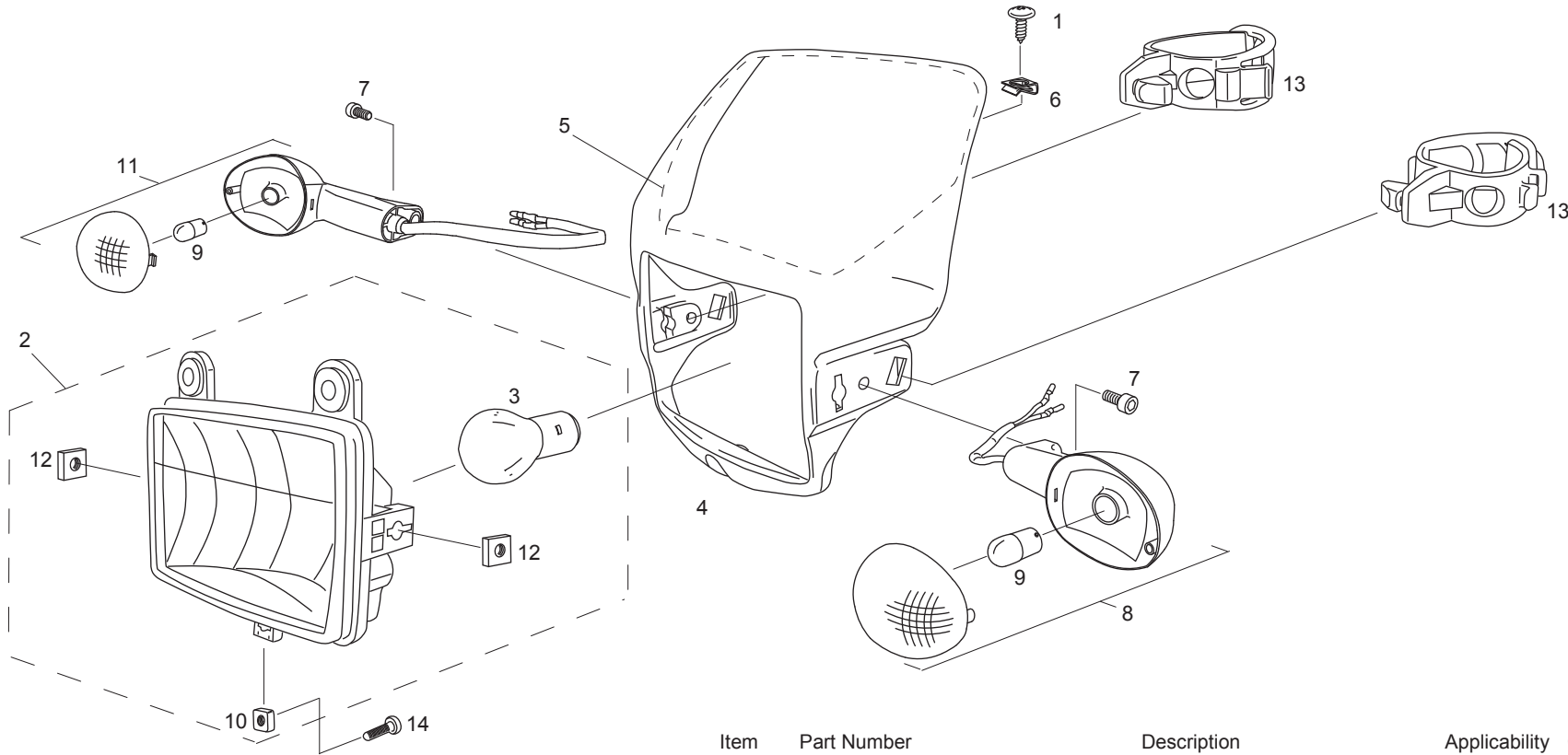
Item	Part Number	Description	Applicability	Qty	Dimensions (mm)	Wght. (g)
1	S1A-20401-00-00	Side stand	-	1	400 35 -	330
2	9EC08-08000-00	Nut, side stand axle	-	1	13 8 -	10
3	9BHC0-08030-00	Axle, side stand	Jap./Rac.	1	34 14 -	10
3	90TH0-08040-00	Axle, side stand	Eur.	1	46 13 -	15
4	S1A-20403-00-00	Spring, side stand	-	1	130 15 -	50
5	S3A-20404-00-00	Pad, side stand	-	1	35 21 12	10
6	S1A-20402-00-00	Bracket, side stand	-	1	80 80 45	130
7	9R0PL-06019-00	Washer, side stand bracket attaching center and aft	-	2	13 - -	10
8	9CHC0-06020-00	Bolt, side stand bracket attaching center and aft	-	2	25 10 -	10
9	9EC08-05000-00	Nut, side stand bracket attaching forward	-	1	8 5 -	10
10	9CHC0-05012-00	Bolt, side stand bracket attaching forward	-	1	16 8 -	10
11	S2A-20202-00-00	Foot rest, right side	Rac.	1	105 42 40	60
11	S1A-20202-00-00	Foot rest, right side	Eur./Jap.	1	105 42 40	190
12	9BHC0-08045-N0	Axle, foot rest left and right side	-	2	48 13 -	10
13	9E018-08012-00	Spacer, foot rest axle left and right	-	2	18 12 -	10
14	S2A-20203-00-00	Torsion spring, foot rest right side	Rac.	1	55 23 13	10
14	S1A-20204-00-00	Torsion spring, foot rest right side	Eur./Jap.	1	55 23 13	10
15	9R0PL-08018-00	Washer, foot rest axle left and right side	-	2	18 - -	10
16	9EC08-08000-00	Nut, foot rest axle, left and right side	-	2	12 7 -	10
17	S2A-20201-00-00	Foot rest, left side	Rac.	1	105 42 40	60
17	S1A-20201-00-00	Foot rest, left side	Eur./Jap.	1	105 42 40	190
18	S2A-20203-00-00	Torsion spring, foot rest left side	Rac.	1	55 23 13	10
18	S1A-20203-00-00	Torsion spring, foot rest left side	Eur./Jap.	1	55 23 13	10
19	9R0PL-03010-00	Washer, pad attaching	-	1	1 10 -	5
20	90008-37316-00	Pop rivet, pad attaching	-	1	17 9 -	5
21	9EC10-06000-00	nut with rivet	-	2	18 12 -	10
22	S3A-20403-00-00	Secondary spring, side stand	Eur.	1	165 9 -	20



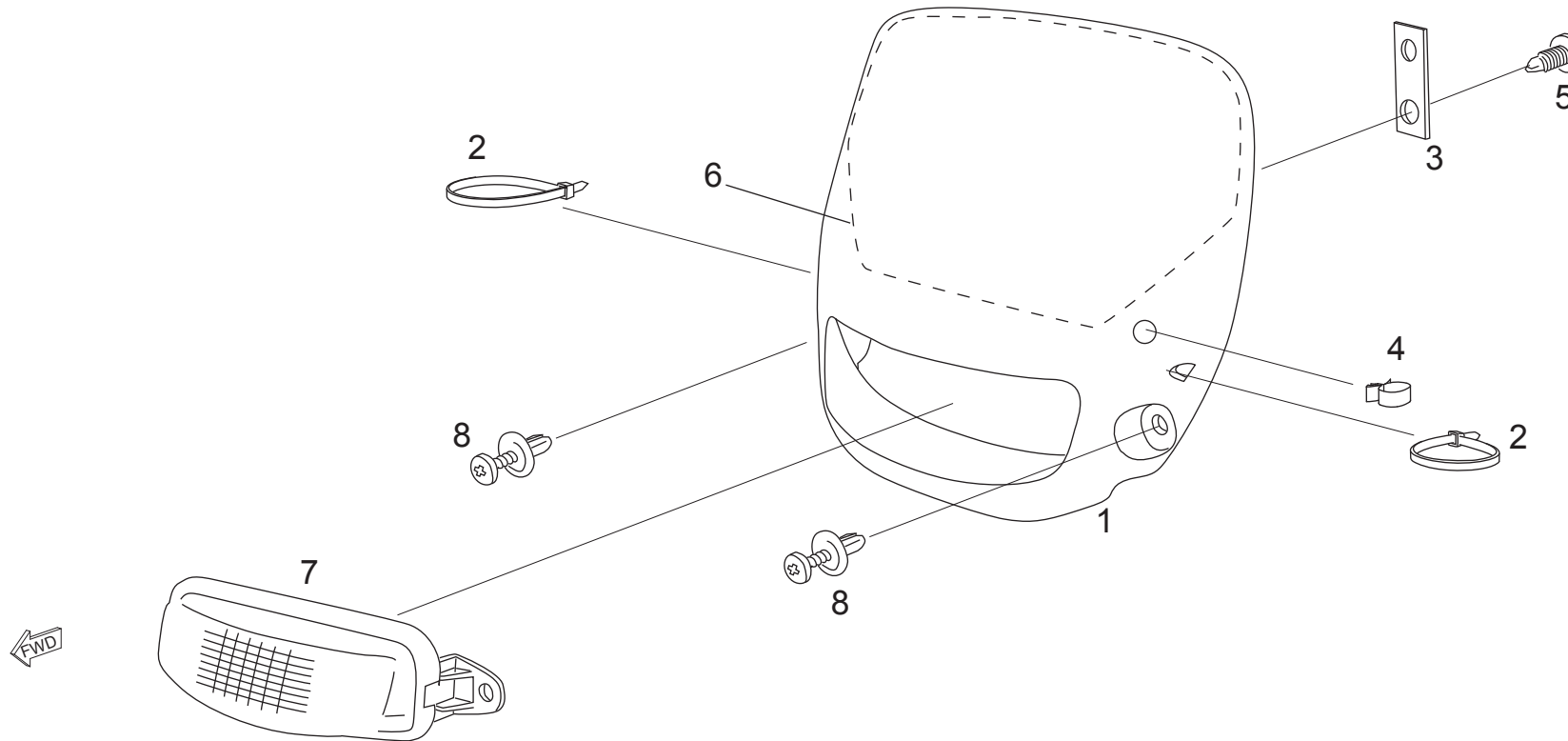
Item	Part Number	Description	Applicability	Qty	Dimensions (mm)	Wght. (g)
1	S1A-40801-00-00	Pedal, rear brake	-	1	175 75 40	250
2	9BHCE-08030-N0	Bolt, rear brake pedal attaching	-	1	35 17 -	10
3	9E014-08020-13	Spacer, rear brake pedal	-	1	20 14 -	10
4	9R0PL-08018-00	Washer, rear brake pedal attaching	-	2	18 - -	10
5	9EC03-05000-00	Nut, rear brake pedal adjuster	-	1	8 2 -	10
6	90TH0-05016-00	Bolt, rear brake pedal adjuster	-	1	20 8 -	10
7	9EC08-08000-00	Nut, rear brake pedal attaching	-	1	17 8 -	10
8	S1A-40601-00-00	.Master cylinder, rear brake	-	1	90 55 40	70
9	S1A-40602-00-00	.Repair kit, rear master cylinder assembly	-	1		40
10	9CHC0-06010-N0	Nut, rear master cylinder attaching	-	2	15 10 -	10
11	9R0SC-06010-00	Washer, rear master cylinder attaching	-	2	15 1 -	10
12	9R0JT-10014-00	.Washer, rear master cylinder union bolt, upper and lower	-	2	15 - -	10
13	S1A-40603-00-00	.Bolt, union rear brake master cylinder	-	1	25 13 -	10
14	S1A-40401-00-00	.Hose, rear brake	-	1	450 - -	10
15	S1A-40104-00-00	.Bolt, union rear brake caliper	Rac.	1	26 14 -	10
16	9R0JT-10014-00	.Washer, rear brake caliper union bolt, upper and lower	-	2	15 - -	10
17	9DU05-08017-00	.Hose, rear brake liquid container	-	1	160 - -	10
18	9CLDU-08000-00	.Spring clip, rear brake hose	-	2	16 5 -	10
19	9EC08-05000-00	Nut, rear brake liquid container attaching	-	1	8 5 -	10
20	S1A-40205-00-00	Fitting, rear brake liquid container	-	1	37 15 18	10
21	S1A-40204-00-00	.Liquid container, rear brake	-	1	55 50 38	10
22	9BHCE-05012-N0	Bolt, rear brake liquid container attaching	-	1	14 11 -	10
23	S3A-30905-00-00	.Wiring electrical, rear brake	Eur./Jap.	1	280 10 10	30
24	S3A-40802-00-00	Joint, rear brake	-	1	31 12 12	15
25	9EC02-06000-00	Nut, brake rod	-	1	10 5 -	5
26	90RN0-06034-00	Rod, rear brake	-	1	34 6 -	5
27	S3A-40200-00-00	Rear brake assy	Eur./Jap.	1	- - -	-
27	S2A-40200-01-00	Rear brake assy	Rac.	1	- - -	-



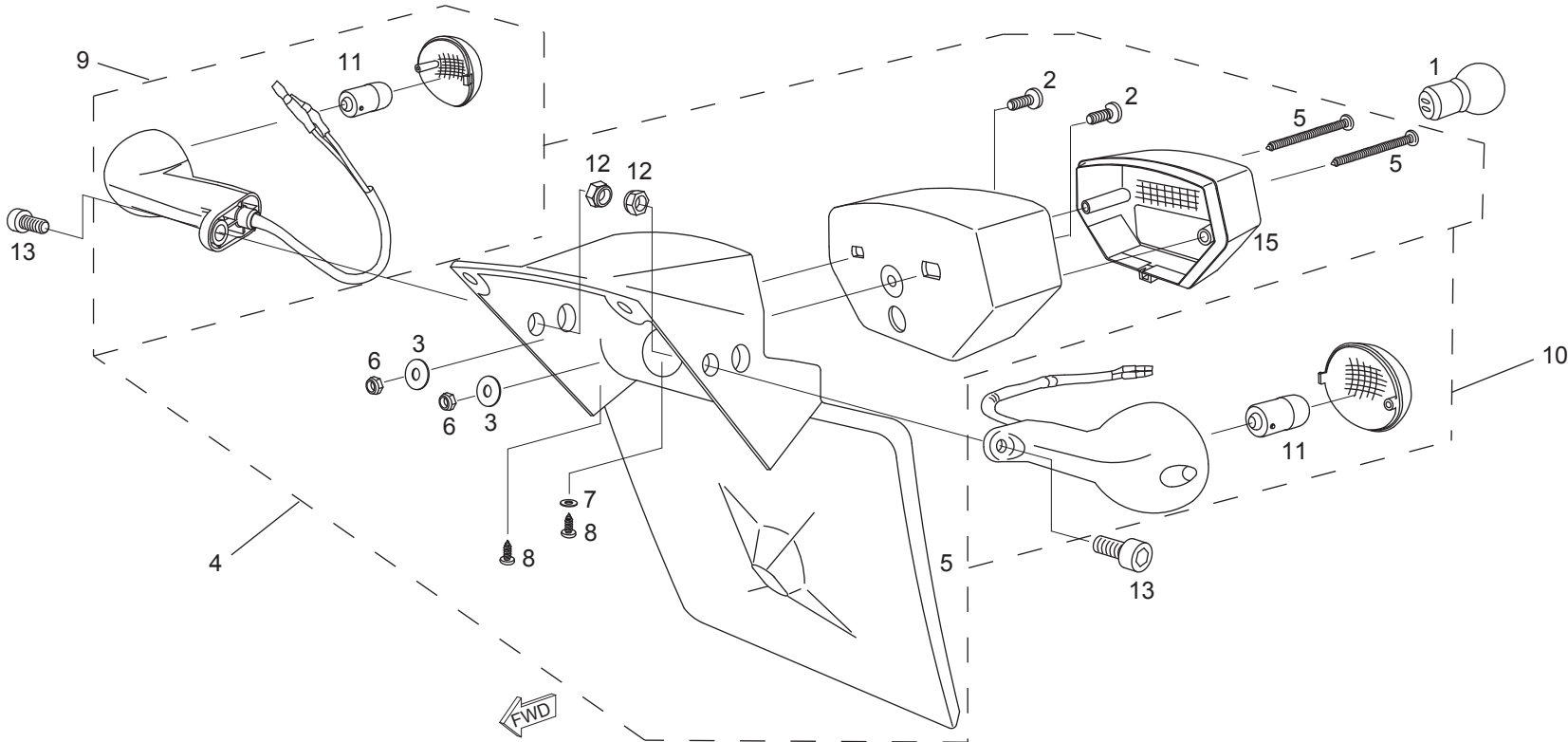
Item	Part Number	Description	Applicability	Qty	Dimensions (mm)	Wght. (g)
1	S3A-60601-00-00	Speedometer	Eur./Jap.	1	65 55 20	30
2	9EC03-11000-00	Nut, speedometer	Eur./Jap.	1	17 2 -	5
3	S1A-60604-00-00	Bracket, speedometer	Eur./Jap.	1	65 55 20	30
4	9VSAC-06024-00	Screw, speedometer holder attaching	Eur./Jap.	1	23 10 -	5
5	S3A-60602-00-00	Cable, speedometer	Eur./Jap.	1	780 15 -	100
6	S3A-60604-00-00	Holder, speedometer	Eur./Jap.	1	145 140 35	250
7	S3A-60605-00-00	Steering lock	Eur./Jap.	1	90 25 20	110



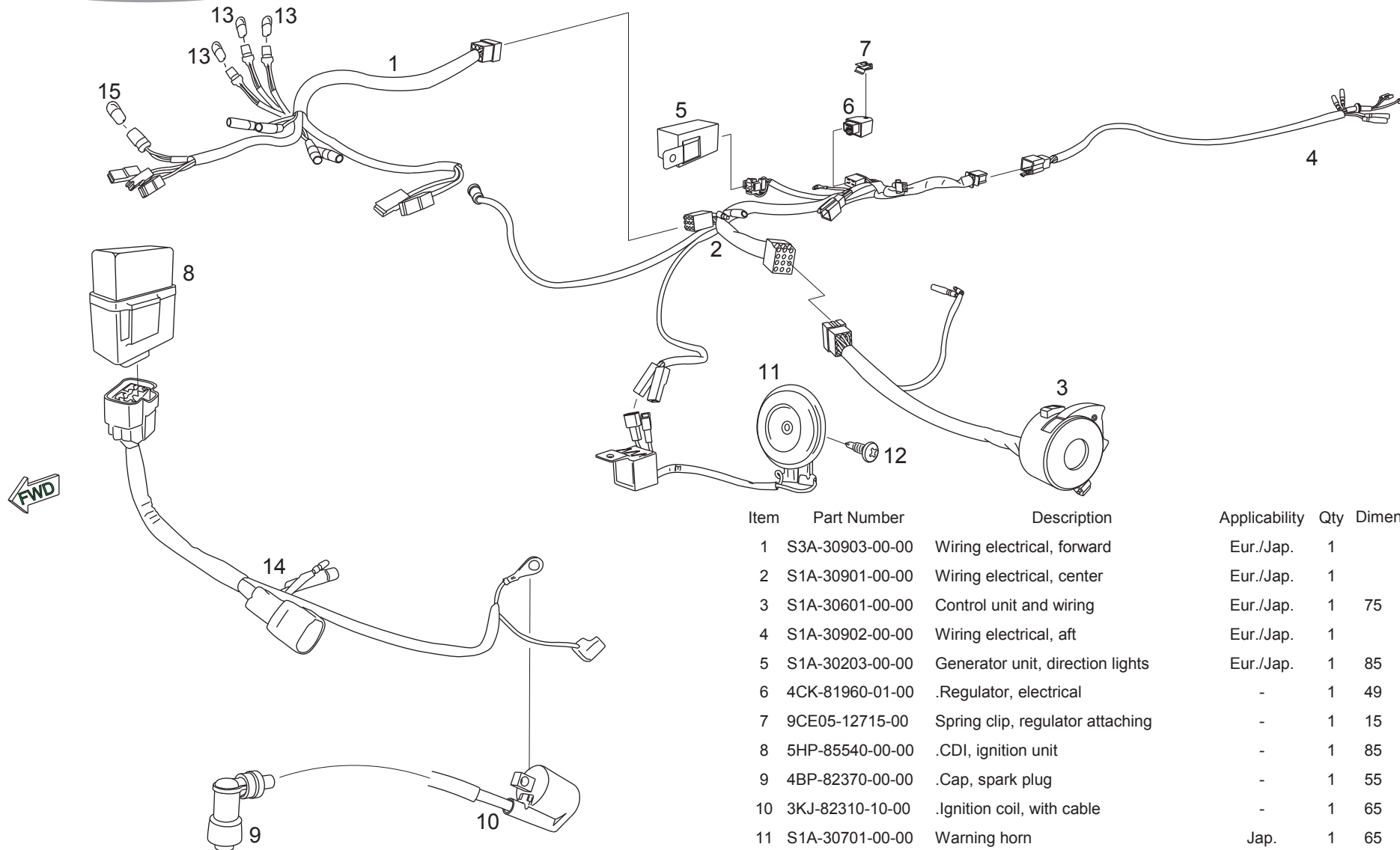
Item	Part Number	Description	Applicability	Qty	Dimensions (mm)	Wght. (g)
1	9VSPA-42013-00	Screw, adjusting head light position	Eur./Jap.	1	15 11 -	5
2	S3A-30301-00-00	Head light unit assembly	Eur./Jap.	1	135 135 100	280
3	9AM12-35035-BA	.Bulb, head light	Eur./Jap.	1	40 30 -	10
4	S3A-80501-00-00	Body assy, head light	Eur./Jap.	1	250 225 80	130
5	S3B-90501-00-00	Sticker, head light	Eur./Jap.	1	200 110 -	10
6	9CE42-10412-00	Spring clip, spring clip head light upper	Eur./Jap.	1	25 7 -	10
7	9CHC0-06020-00	Bolt, direction light left and right side front and rear	Eur./Jap.	2	16 8 -	10
8	S1A-30202-00-00	Direction light, front left side	Eur./Jap.	1	95 50 45	40
9	9AM12-10000-BA	.Bulb, direction light front	Eur./Jap.	2	35 15 -	10
10	9EC04-04000-00	.Square nut, head light unit lower	Eur./Jap.	1	8 8 4	5
11	S1A-30201-00-00	Direction light, front right side	Eur./Jap.	1	95 50 45	40
12	9EC04-06000-AL	.Square nut, head light unit left and right side	Eur./Jap.	2	13 13 4	5
13	S1A-80502-00-00	Rubber, head light attaching	Eur./Jap.	2	180 30 30	25
14	9CBC0-04016-00	Bolt, head light attaching	Eur./Jap.	1	19 8 -	5



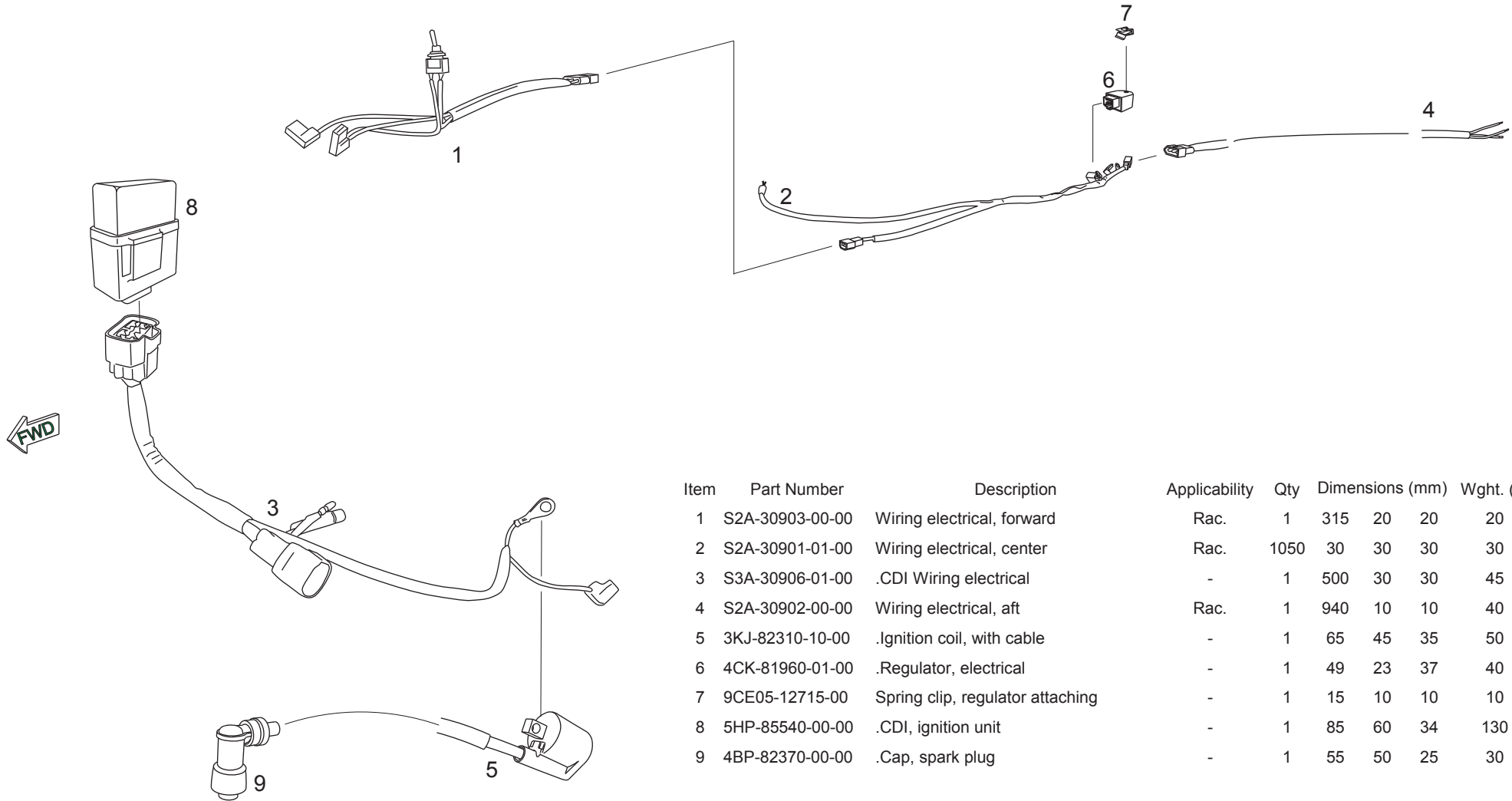
Item	Part Number	Description	Applicability	Qty	Dimensions (mm)			Wght. (g)
1	S2A-80501-00-00	Body assy, head light	Rac.	1	175	150	45	70
2	9C0RY-48280-N0	Locking collar, head light	Rac.	2	280	5	5	10
3	90004-02500-00	Bracket, switch	Rac.	1	30	12	2	5
4	90036-00202-00	Spring clip, forward brake hose	Rac.	1	25	7	-	10
5	9VSAU-48016-00	Screw, switch bracket attaching	Rac.	1	10	20	-	5
6	S2B-90501-00-00	Sticker, head light	Rac.	1	95	25	-	-
7	S2A-30301-00-00	Head light unit assy	Rac.	1	130	50	50	30
8	90036-69902-00	Tapped nail, head light unit attaching	Rac.	2	13	13	-	5



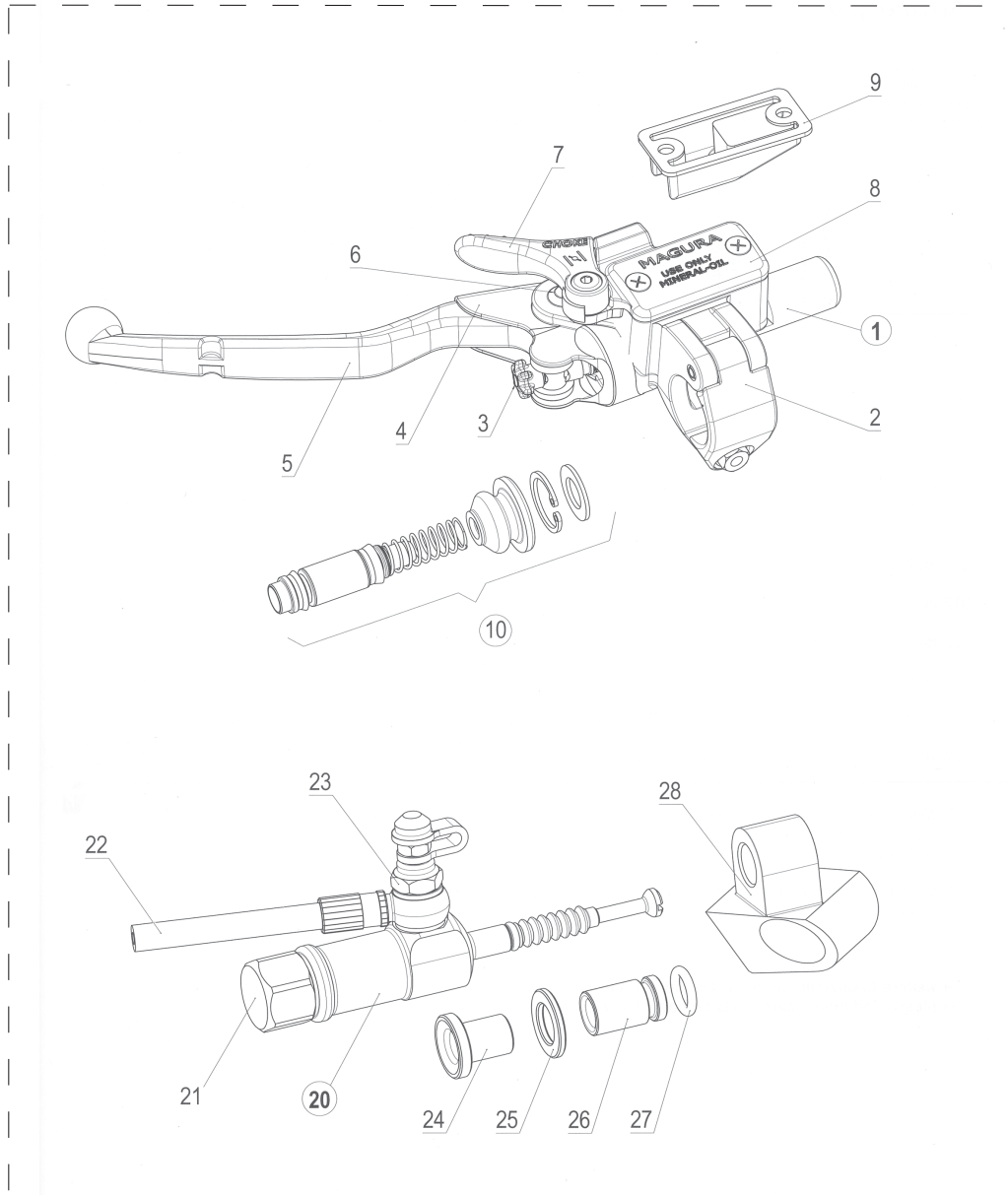
Item	Part Number	Description	Applicability	Qty	Dimensions (mm)	Wght. (g)
1	9AM12-05021-BA	Bulb, tail light	Eur./Jap.	1	47 - -	10
2	9CBC0-06016-00	.Screw, tail light unit left and right	Eur./Jap.	2	20 10 -	10
3	9R0PL-06019-00	.Washer, tail light unit left and right	Eur./Jap.	2	18 1 -	10
4	S1A-30401-00-00	Tail light unit assembly	Eur./Jap.	1	105 65 75	120
5	9VSPA-48050-00	.Screw, lens left and right	Eur./Jap.	2	50 6 -	10
6	9EC08-06000-00	.Nut, tail light unit left and right	Eur./Jap.	2	10 - -	10
7	9R0PL-05010-00	.Washer, tail light assembly	Eur./Jap.	1	10 1 -	10
8	9VSPA-05011-00	.Screw, tail light assembly forward and aft	Eur./Jap.	2	15 9 -	10
9	S1A-30202-00-00	Direction light, rear right side	Eur./Jap.	1	95 50 45	40
10	S1A-30201-00-00	Direction light, rear left side	Eur./Jap.	1	95 50 45	40
11	9AM12-10000-BA	.Bulb, direction lights rear	Eur./Jap.	2	35 15 -	10
12	9EC08-05000-00	Nut, direction light left and right side front and rear	Eur./Jap.	2	8 5 -	10
13	9CHC0-05012-00	Bolt, direction light left and right side front and rear	Eur./Jap.	2	16 8 -	10



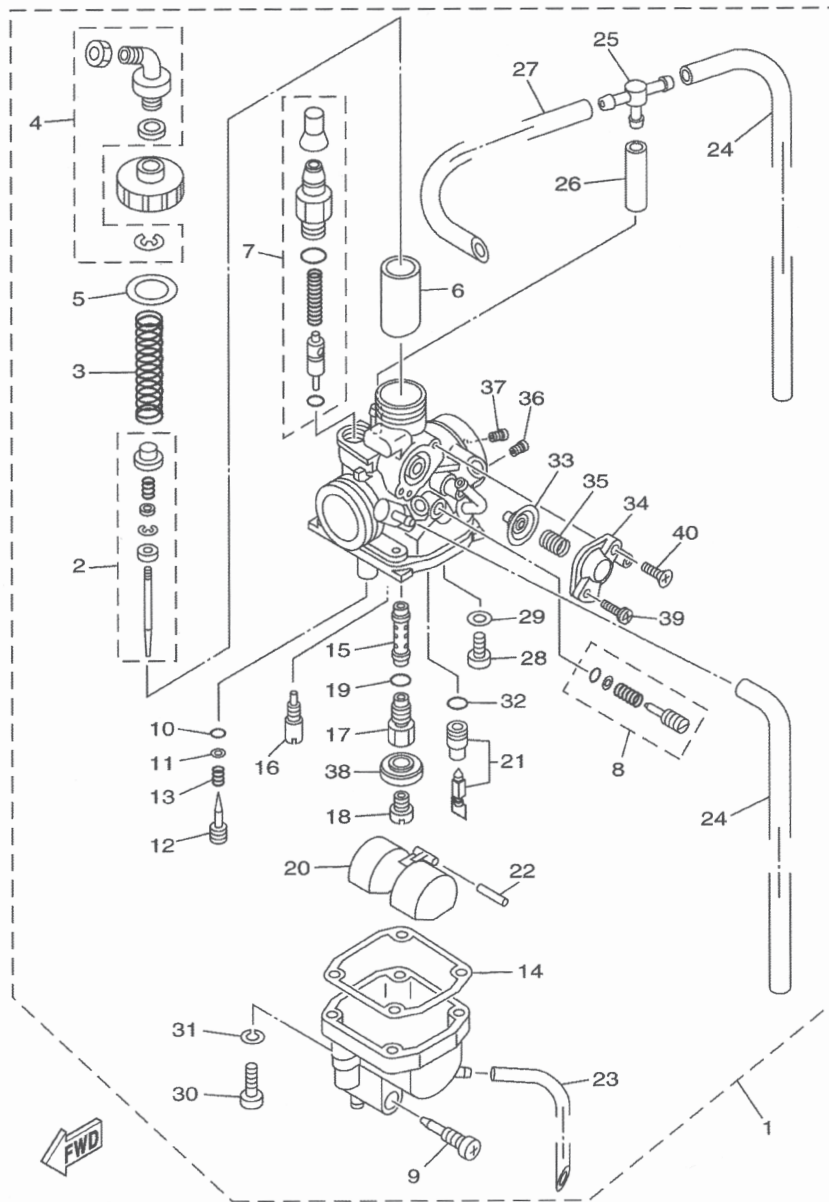
Item	Part Number	Description	Applicability	Qty	Dimensions (mm)	Wght. (g)
1	S3A-30903-00-00	Wiring electrical, forward	Eur./Jap.	1		10
2	S1A-30901-00-00	Wiring electrical, center	Eur./Jap.	1		10
3	S1A-30601-00-00	Control unit and wiring	Eur./Jap.	1	75 60 32	10
4	S1A-30902-00-00	Wiring electrical, aft	Eur./Jap.	1		10
5	S1A-30203-00-00	Generator unit, direction lights	Eur./Jap.	1	85 30 30	40
6	4CK-81960-01-00	.Regulator, electrical	-	1	49 23 37	40
7	9CE05-12715-00	Spring clip, regulator attaching	-	1	15 10 10	10
8	5HP-85540-00-00	.CDI, ignition unit	-	1	85 60 34	130
9	4BP-82370-00-00	.Cap, spark plug	-	1	55 50 25	30
10	3KJ-82310-10-00	.Ignition coil, with cable	-	1	65 45 35	50
11	S1A-30701-00-00	Warning horn	Jap.	1	65 55 -	120
11	S3A-30701-00-00	Warning horn	Eur.	1	260 65 50	150
12	9VSAU-48016-00	Screw, warning horn attaching	Eur./Jap.	1	18 8 -	10
13	9AM12-02000-CV	.Bulb, 12V - 2W	Eur./Jap.	3	- - -	5
14	S3A-30906-01-00	.CDI Wiring electrical	-	1	500 30 30	45
15	9AM12-05000-CV	.Bulb, 12V - 5W	Eur./Jap.	1	- - -	5



Item	Part Number	Description	Applicability	Qty	Dimensions (mm)	Wght. (g)
1	S2A-30903-00-00	Wiring electrical, forward	Rac.	1	315 20 20	20
2	S2A-30901-01-00	Wiring electrical, center	Rac.	1050	30 30 30	30
3	S3A-30906-01-00	.CDI Wiring electrical	-	1	500 30 30	45
4	S2A-30902-00-00	Wiring electrical, aft	Rac.	1	940 10 10	40
5	3KJ-82310-10-00	.Ignition coil, with cable	-	1	65 45 35	50
6	4CK-81960-01-00	.Regulator, electrical	-	1	49 23 37	40
7	9CE05-12715-00	Spring clip, regulator attaching	-	1	15 10 10	10
8	5HP-85540-00-00	.CDI, ignition unit	-	1	85 60 34	130
9	4BP-82370-00-00	.Cap, spark plug	-	1	55 50 25	30



Item	Part Number	Description	Applicability	Qty
1	0120465	..Master cylinder assy	Rac.	1
2	0720546	..Clamp	Rac.	1
3	0720572	..Adjuster for lever	Rac.	1
4	0429633	..Protection cover for lever	Rac.	1
5	0720598	..Lever blade	Rac.	1
6	0720504	..Screw, lever	Rac.	1
7	0720552	..Choke lever	Rac.	1
8	0720553	..Cover, master cylinder	Rac.	1
9	0720560	..Reservoir membrane	Rac.	1
10	0720555	..Master cylinder piston assy	Rac.	1
20	0120653	..Slave cylinder	Rac.	1
21	0430217	..Cap	Rac.	1
22	0722142	..Tubekit	Rac.	1
23	0722136	..Hollow screw with bleeding valve	Rac.	1
24	0430224	..Sleeve	Rac.	1
25	0451530	..Disc	Rac.	1
26	0430985	..Sleeve	Rac.	1
27	0488255	..O-ring	Rac.	1
28	0430220	..Mounting adapter	Rac.	1
30	S2A-60402-01-00	Hydraulic clutch assy	Rac.	1



Item	Part Number	Description	Applicability	Qty
1	5HP-14101-00-00	.CARBURETOR ASSY 1	-	1
2	5HP-1490J-00-00	.NEEDLE SET	-	1
3	4LS-14131-00-00	.SPRING, THROTTLE VALVE	-	1
4	4LS-14106-00-00	.CABLE ADJUST SCREW SET	-	1
5	4U5-14126-00-00	.GASKET	-	1
6	5HH-14112-25-00	.VALVE, THROTTLE 1	-	1
7	5HH-1410A-00-00	.STARTER SET	-	1
8	5HH-14103-00-00	.THROTTLE SCREW SET	-	1
9	4LS-14191-00-00	.PLUG, DRAIN	-	1
10	3H1-14147-00-00	.O-RING	-	1
11	3H1-14962-00-00	.WASHER	-	1
12	4LS-14923-20-00	.SCREW, PILOT	-	1
13	5K7-14134-00-00	.SPRING, AIR ADJ	-	1
14	24W-14184-00-00	.GASKET, FLOAT CHAMBER	-	1
15	21V-1414M-26-00	.NOZZLE, MAIN	-	1
16	5HP-14142-15-00	.JET, PILOT ( 15)	-	1
17	5HP-14145-00-00	.SETTER, NEEDLE JET	-	1
18	620-14231-21-00	.JET, MAIN (105)	Jap./Rac.	1
18	620-1423A-71-00	.JET, MAIN (102.5)	-	1
18	90062-04100-00	JET, MAIN (100)	Eur.	1
19	583-14561-00-00	.O-RING	-	1
20	5HH-14185-00-00	.FLOAT	-	1
21	4LS-14107-18-00	.NEEDLE VALVE SET	-	1
22	127-14186-00-00	.PIN, FLOAT	-	1
23	1A0-14196-00-00	.PIPE	-	1
24	26H-14197-00-00	.PIPE	-	2
25	66E-24376-00-00	.PIPE, JOINT 1	-	1
26	5HP-14348-00-00	.PIPE 1	-	1
27	5CA-14197-00-00	.PIPE	-	1
28	98507-03006-00	.SCREW, PAN HEAD	-	1
29	92907-03100-00	.WASHER	-	1
30	98507-04014-00	.SCREW, PAN HEAD	-	4
31	92907-04100-00	.WASHER, SPRING	-	4
32	4LS-14147-00-00	.O-RING	-	1
33	5AP-14940-00-00	.DIAPHRAGM ASSY	-	1
34	5HP-14280-00-00	.COVER, CARBURETOR	-	1
35	5AP-14933-00-00	.SPRING, DIAPHRAGM	-	1
36	1HX-14231-16-00	.JET, MAIN ( 80)	-	1
37	1HX-14231-29-00	.JET, MAIN (145)	-	1
38	5V7-14153-00-00	.WASHER, MAIN JET	-	1
39	5HP-14565-00-00	.SCREW	-	1
40	5HP-14216-00-00	.SCREW	-	1

***Specific components for TYS175F***

***Other components are same that TYS125F***

Part Number	Description	Applicability	Qty
S6B-90307-00-00	Stiker, rear fender aft left and right side	-	2
90106-04085-00	Jet main (85)	Eur.	1
90106-04010-00	Jet pilot	Eur.	1
S6B-10702-00-00	Carburetor spacer	Eur	1
S2B-60402-01-00	Hydraulic clutch assy	-	1
S2A-20103-00-00	Pad engine guard	-	1
S6B-10207-00-00	Ring cylinder + gaskets	-	1
S2A-102010-143	Ring cylinder + gaskets + piston + sleeve	-	1
S1A-10602-10-00	Filter air cleaner	-	1
S6B-90602-00-00	Frame number styker	-	1