



TRIAL

TWENTY FACTORY 3.0

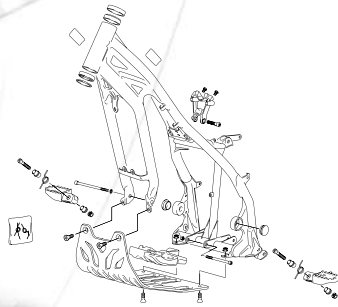
MANUEL DE PIÈCES
PARTS MANUAL
MANUAL DE RECAMBIOS



2015 TRIAL

CADRE / FRAME / CHASIS

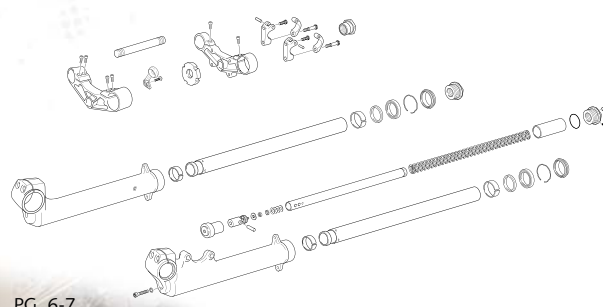
1



PG. 4-5

FOURCHE / FORK / HORQUILLA

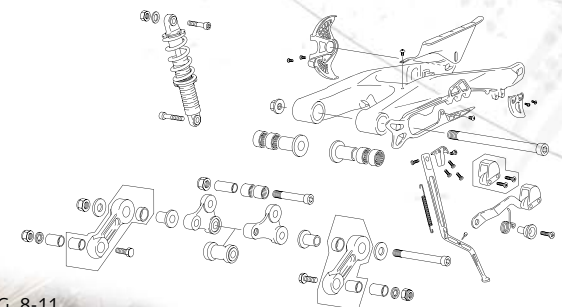
2



PG. 6-7

AMORTISSEUR - BRAS OSCILLANT / REAR SHOCK - SWINGARM / AMORTIGUADOR - BASCULANTE

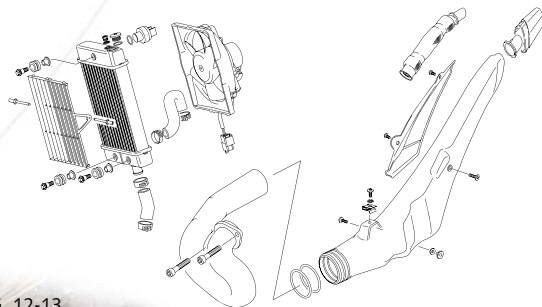
3



PG. 8-11

RADIATEUR-ECHAPPEMENT/ RADIATOR-EXHAUST SYSTEM / RADIADOR-ESCAPE

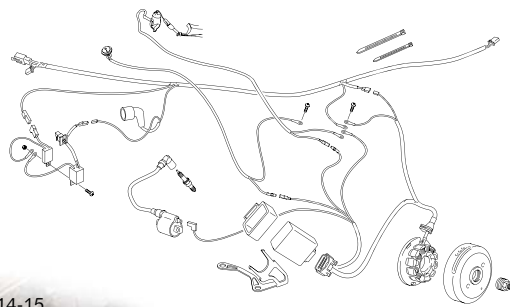
4



PG. 12-13

FAISCEAU ELECTRIQUE / ELECTRICAL SYSTEM / SISTEMA ELÉCTRICO

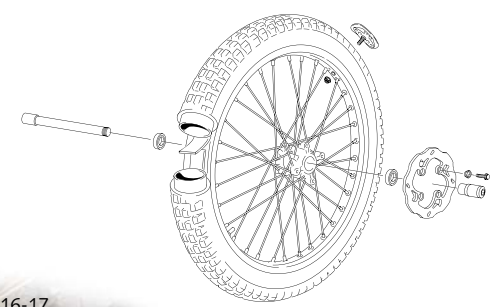
5



PG. 14-15

ROUE AVANT / FRONT WHEEL / RUEDA DELANTERA

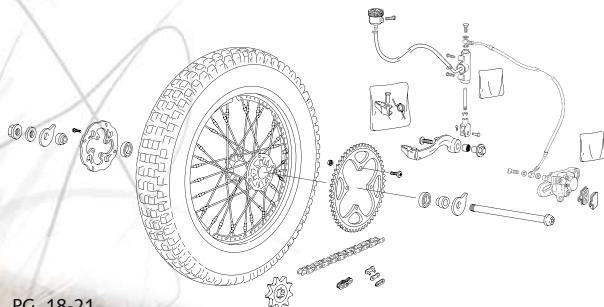
6



PG. 16-17

ROUE ARRIERE / REAR WHEEL / RUEDA TRASERA

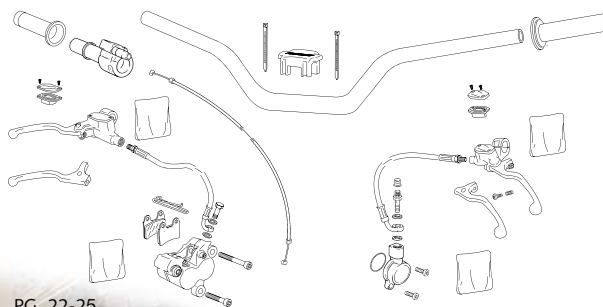
7



PG. 18-21

GUIDON / HANDLEBAR / MANILLAR

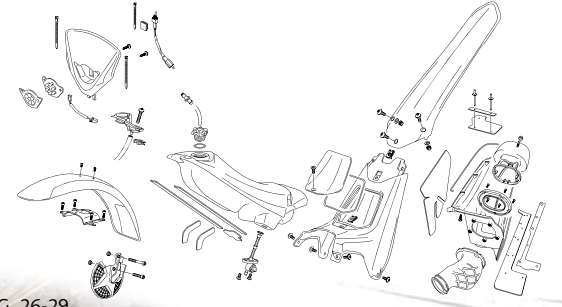
8



PG. 22-25

PLASTIQUES / PLASTICS / PLÁSTICOS

9



PG. 26-29

ADHESIFS / STIKERS / ADHESIVOS

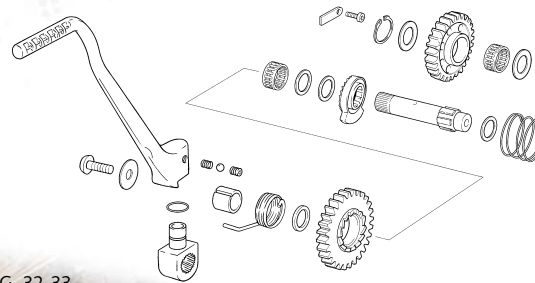
10



PG. 30-31

LANCEUR / KICKSTARTER ASSEMBLY / PEDAL ARRANQUE

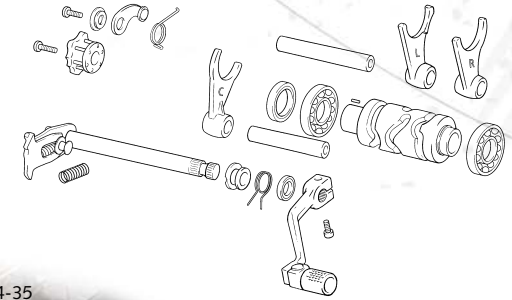
11



PG. 32-33

SELECTEUR / GEAR SELECTOR / SELECTOR CAMBIO

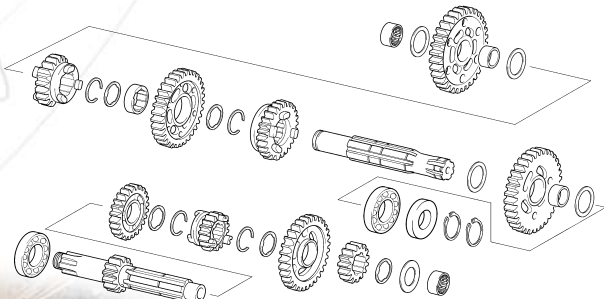
12



PG. 34-35

BOITE A VITESSES / GEARSET / CAMBIO

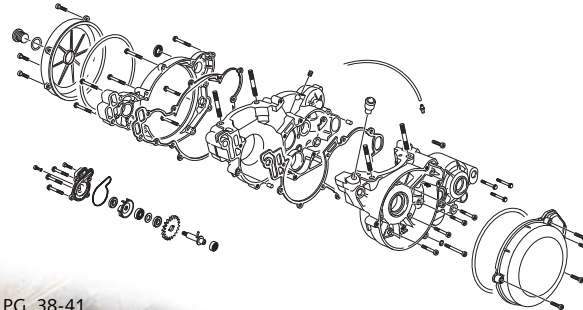
13



PG. 36-37

GRUPE CARTERS / CRANKCASE ASSEMBLY / GRUPO CARTERS

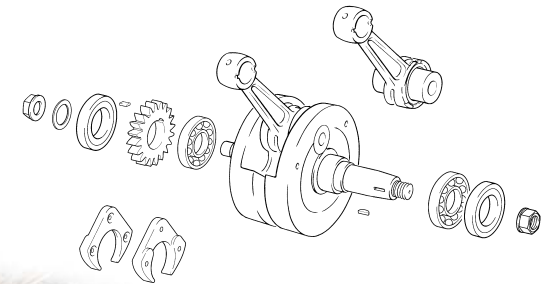
14



PG. 38-41

VILLEBREQIN ASSEMBLE / CRANKSHAFT ASSEMBLY / CIGÜENAL BIELA

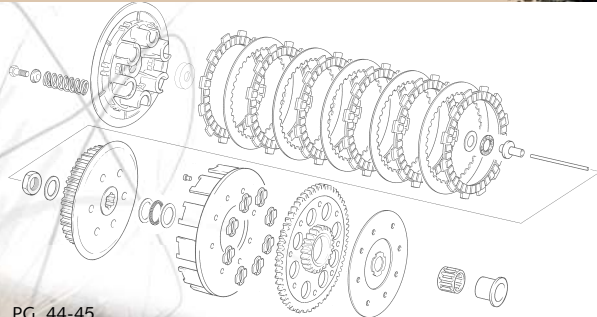
15



PG. 42-43

EMBAYAGE / CLUTCH / EMBRAGUE

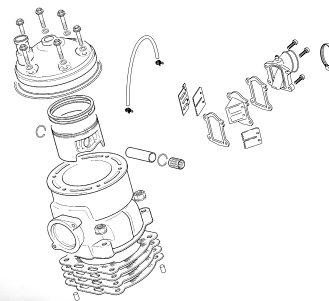
16



PG. 44-45

CYLINDRE / CYLINDER / CILINDRO

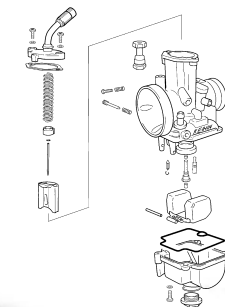
17



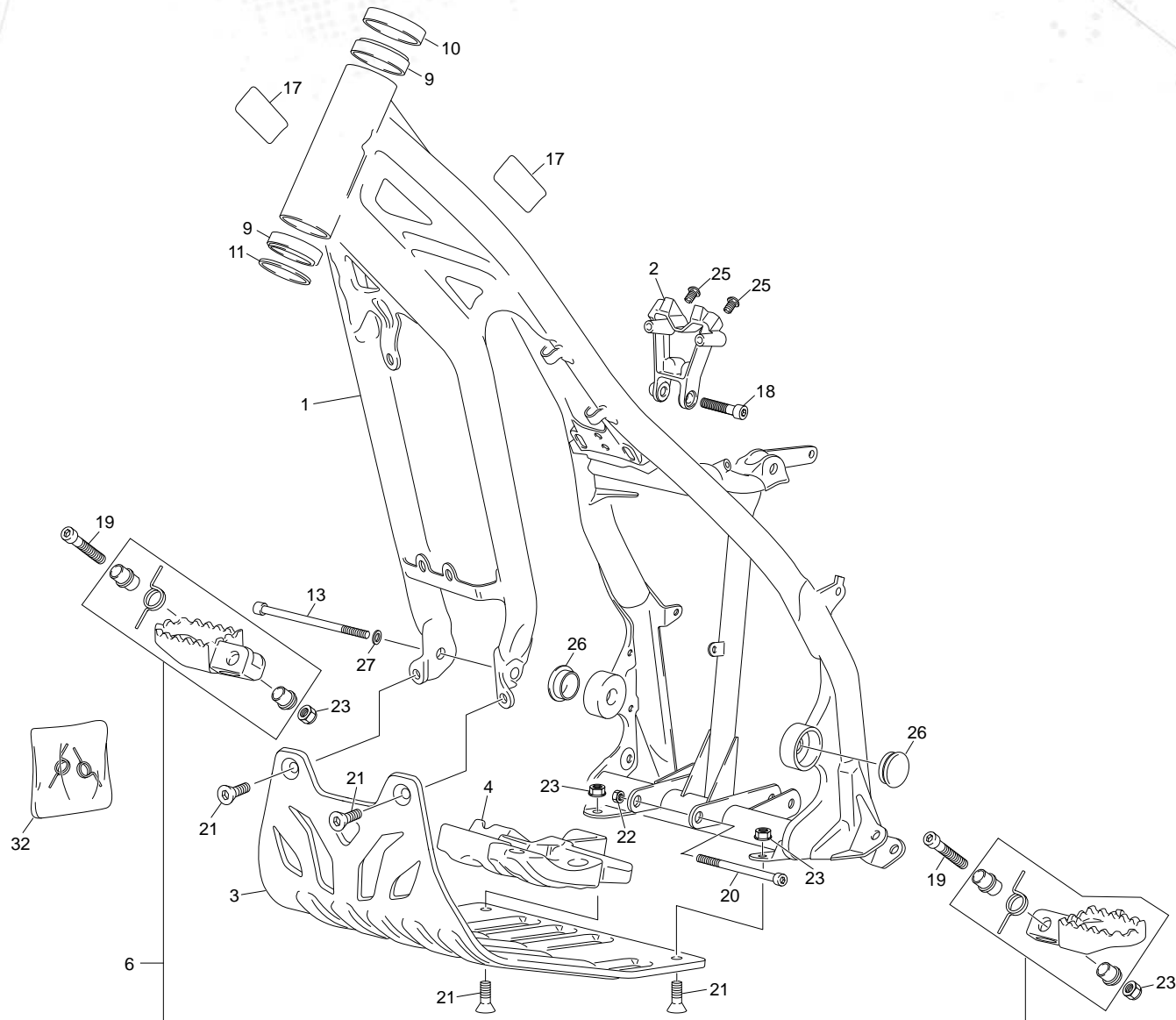
PG. 46-47

CARBURATEUR / CARBURETOR / CARBURADOR

18

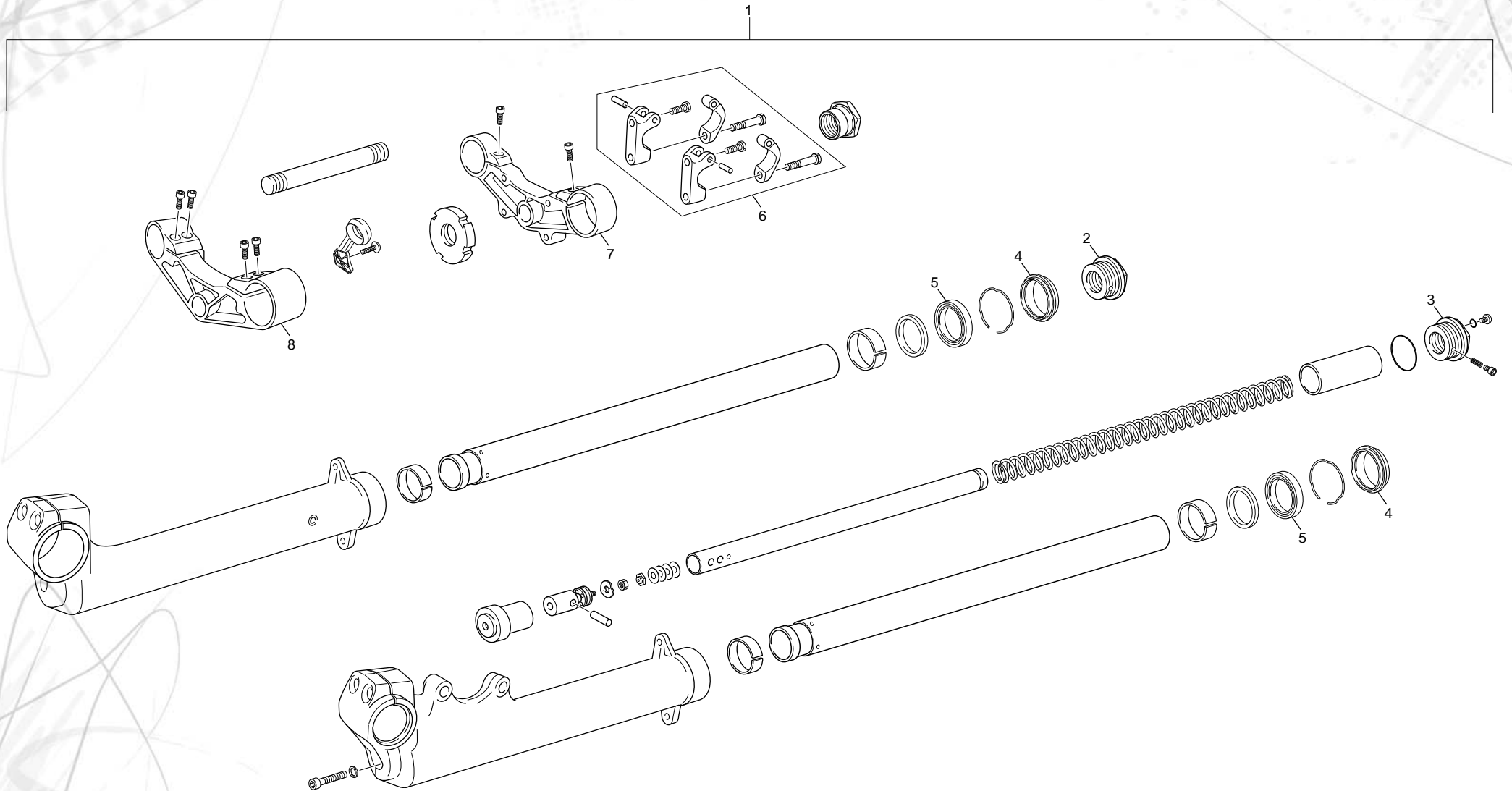


PG. 48-51



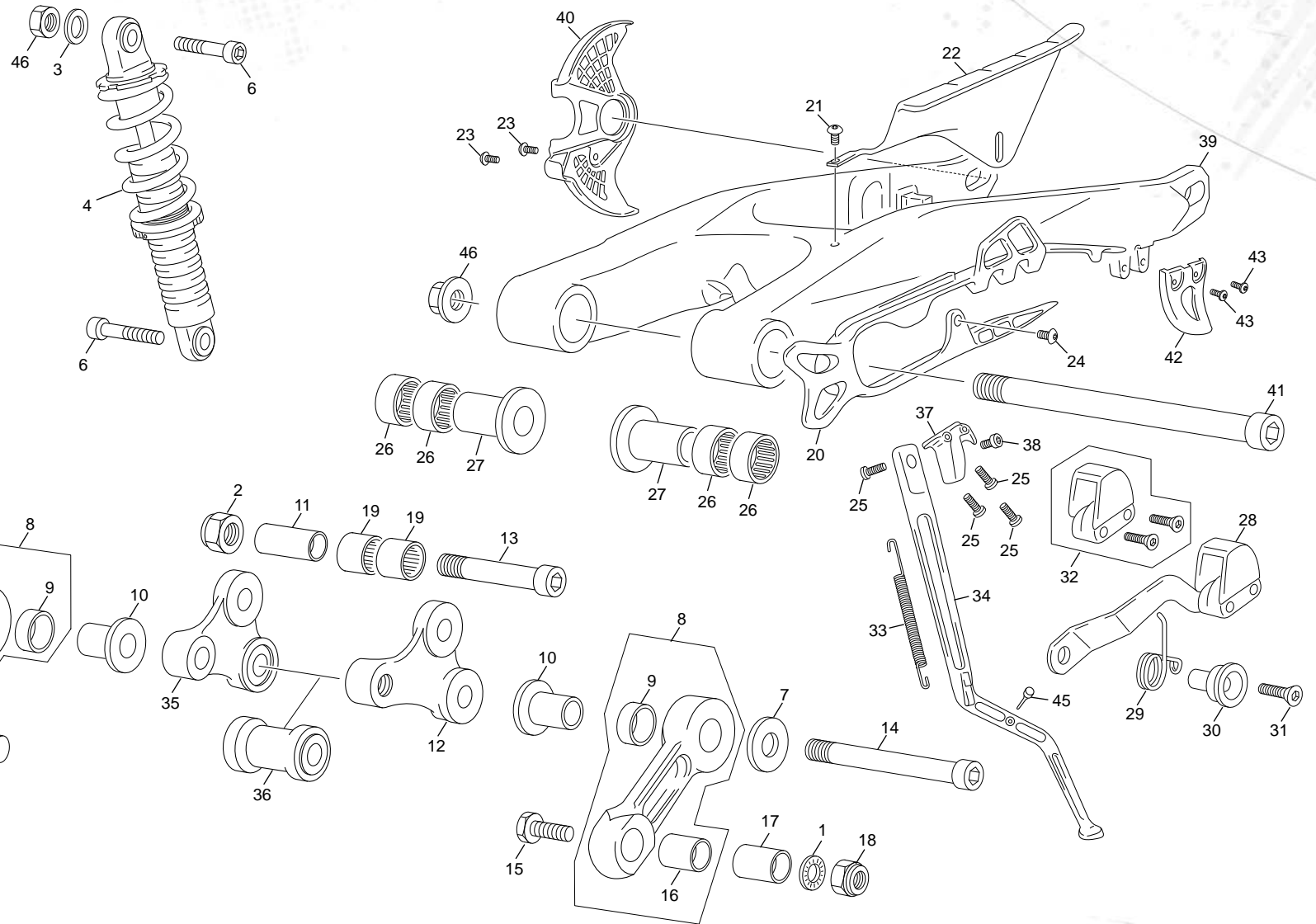
POS.	3.0	FRANÇAIS	ENGLISH	ESPAÑOL
1	6067*	CADRE TRIAL NOIR SATINE TWENTY FACTORY	FRAME TRIAL SATIN BLACK TWENTY FACTORY	CHASIS TRIAL NEGRO SATINADO TWENTY FACTORY
2	4549	PATE FIXATION CYLINDRE 2.5/2.9 NOIRE	CLINDER SUPPORT 2.5/2.9 BLACK	TIRANTE CILINDRO 2.5/2.9 NEGRO
3	5469	SABOT MOTEUR SCORPA 2015	ENGINE GUARD SCORPA 2015	PLACA MOTOR SCORPA 2015
4	3582	CAOUTCHOUC MOTEUR 2012	BASH PLATE RUBBER 2012	CAUCHO PLACA MOTOR 2012
6	6065*	GROUPE REPOSE PIEDS S3 TR TITANIUM TWENTY FACT.	SET FOOTPEG S3 TR TITANIUM TWENTY FACTORY	JUEGO ESTRIBERAS S3 TR TITANIO TWENTY FACTORY
9	C009	ROULEMENT COLONNE DIRECTION R32004	STEERING BEARING R32004	RODAMIENTO DIRECCION R32004
10	C010	BAGUE DE PROTECTION HAUTE PLASTIC	PLASTIC DUST COVER	GUARDA POLVO SUPERIOR PLASTIC
11	C011	BAGUE DE PROTECTION BASSE	FORK ALUMINIUM WHASHER	ARANDELA GUARDA POLVO INF
13	M296	AXE MOTEUR AV	FRONT PIN ENGINE	TORNILLO MOTOR
17	6149*	PROTECTEUR T FOURCHE JEUX NOIR FACTORY SC	CALIPER PROTECTOR SET BLACK FACTORY SC	PROTECTOR PLETINAS NEGRAS FACTORY SC
18	M263	VIS CHC 8 X 40 0084	SCREW CHC 8 X 40	TORNILLO 8 X 40 ALLEN
19	M264	VIS CHC 8 X 45 0084	SCREW CHC 8 X 45	TORNILLO 8 X 45 ALLEN
20	M396	VIS CHC M10 X 80	SCREW CHC M10 X 80	TORNILLO CHC M10 X 80
21	M301	VIS FHC 8 X 20 1089	SCREW FHC 8 X 20	TORNILLO AVELLANADO M 8 X 20
22	M304	ECROU NYLSTOP M10 0368.10	NUT NYLSTOP M10	TUERCA NYLSTOP M10
23	M305	ECROU NYLSTOP M8 0368.8	NUT NYLSTOP M8	TUERCA NYLSTOP M8
25	M282	VIS BHC 6 X 10 1093	SCREW BHC 6 X 10	TORNILLO 6 X 10 BHC
26	C165	BOUCHON AXE BRAS OSCILLANT DIAM 35	COVER SWING ARM AXLE DIAM 35	TAPON EJE BASCULANTE DIAM 35
27	3021	RONDELE M10 BL DIN 7980	WASHER M10 BL DIN 7980	ARANDELA M10 BL DIN 7980
32	4872	RESSORTS REPOSE PIEDS TRIAL JEU	FOOTPEG SPRINGS KIT	MUELLES ESTRIBERAS JUEGO

* — NOUVELLE PIECE / NEW PART / PIEZA NUEVA



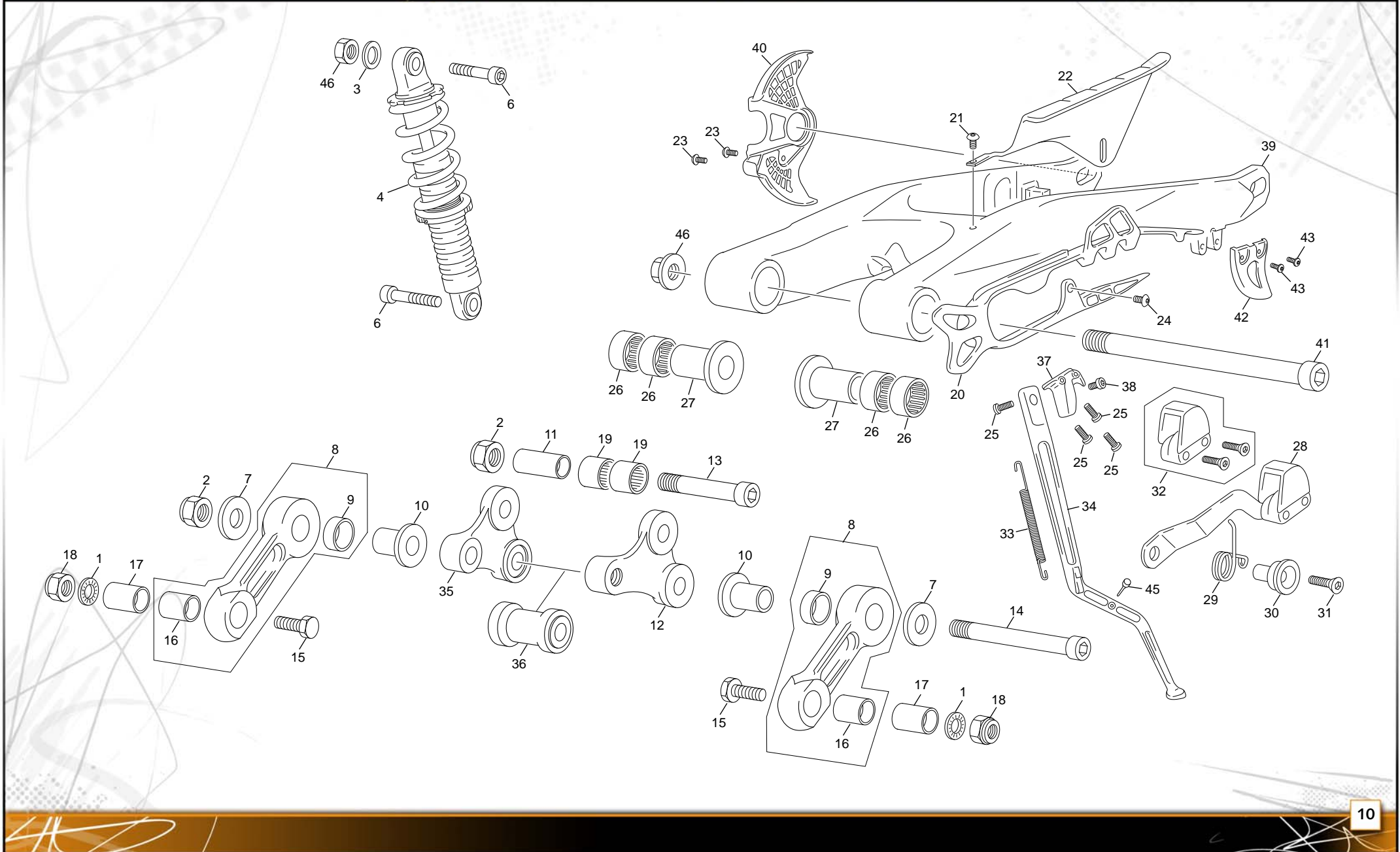
POS.	3.0	FRANÇAIS	ENGLISH	ESPAÑOL
1	6055*	FOURCHE TRIAL MARZOCCHI ALUMINIUM AVEC BRIDES	FORK TRIAL MARZOCCHI ALUMINIUM WITH SUPPORTS	HORQUILLA MARZOCCHI ALUMINIO CON BRIDAS
2	3642	BOUCHON FOURCHE MZ DROITE	PLUG RIGHT MZ FORK	TAPÓN DERECHO HORQUILLA MZ
3	3641	BOUCHON FOURCHE MZ GAUCHE	PLUG LEFT MZ FORK	TAPÓN IZQUERDO HORQUILLA MZ
4	3540	CACHE POUSSIERE FOURCHE MZ 40	FORK DUST SEAL MZ 40	GUARDAPOLVO HORQUILLA MZ 40
5	3541	JOINT SPIE DE FOURCHE MZ 40	FORK OIL SEAL MZ 40	RETÉN HORQUILLA MZ 40
6	4879*	BRIDE GUIDON JEU X 2 NOIRE TRIAL MARZOCHI	HANDELBAR HOLDER KIT X 2 BLACK MARZOCHI	BRIDAS MANILLAR JUEGO X 2 NEGRO TRIAL MARZOCHI
7	6137*	T FOURCHE SUP MZ 40 TITANIUM	UPPER PLAT FORK TRIAL MZ 40 TITANIUM	PLATINA SUP HORQUILLA MZ 40 TITANIUM
8	6136*	T FOURCHE INF MZ 40 TITANIUM	BOTTOM PLAT FORK MZ 40 TITANIUM	PLATINA INF HORQUILLA MZ 40 TITANIUM

* -| NOUVELLE PIECE / NEW PART / PIEZA NUEVA

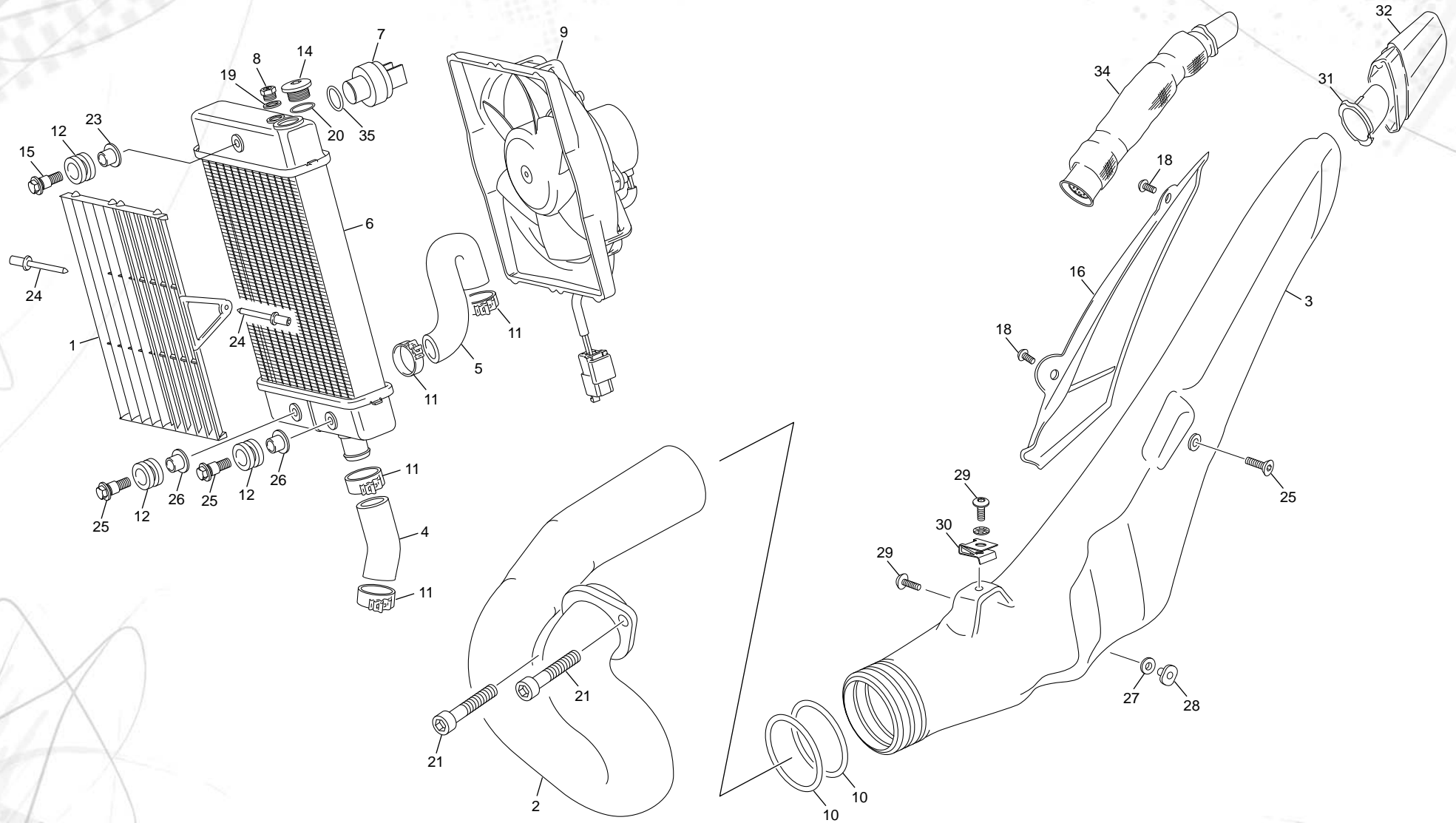


POS.	3.0	FRANÇAIS	ENGLISH	ESPAÑOL
1	1432	RONDELLE AET 8	WASHER X AET 8	ARANDELA AET 8
2	M304	ECROU NYLSTOP M10 0368.10	NUT NYLSTOP M10	TUERCA NYLSTOP M10
3	M315	RONDELLE X 10 1405 010	WASHER X 10	ARANDELA X 10 DIN 125 A
4	5491*	AMORTISSEUR TRIAL R1 6V TWENTY FACTORY	REAR SHORK TRIAL R1 6V TWENTY FACTORY	AMORTIGUADOR TRIAL R1 6V TWENTY FACTORY
6	C173	AXE M10 X 46	PIN M10 X 46	EJE M10 X 46
6	C407	VIS CHC M10 X 45 12.9	SCREW M10 X 45 12.9	TORNILLO M10 X 45 DIN 912 12.9
7	M320	RONDELLE 10 X 30 X 2.5 0416	WASHER 10 X 30 X 2.5	ARANDELLA 10 X 30 X2.5 DIN 9021
8	3447	BIELETTE TIRANT SIMPLE TRIAL 2012	REAR SUSPENSION LINK TRIAL 2012	BIELETA SUSPENSION TRIAL 2012
9	2945	DOUILLE FRICTION 16X18X15	BEARING FRICTION 16X18X15	COJINETE FRICCION 16X18X15
10	C171	ENTRETOISE TIRANT EPAULEE	LINK SPACER	CASQUILLO BIELETA CON ARANDELA
11	C152	ENTRETOISE SUSPENSION	SPACER SUSPENSION	CASQUILLO SUSPENSION
12	3445	BIELETTE DELTA SEMI G TRIAL 2012	REAR SUSPENSION HALF L DELTA LINK TRIAL 2012	TRAPECIO SUSPENSION SEMI I TRIAL 2012
13	C174	AXE 10 X 72 12.9	PIN 10 X 72 12.9	EJE 10 X 72 12.9
14	C172	AXE 10 X 20 12.9	PIN 10 X 20 12.9	EJE 10 X 20 12.9
15	C175	VIS HEXA TETE BASSE 8.8	SPECIAL HEAD SCREW HEX 8.8	TORNILLO HEX C/REBAJADA 8.8
16	2946	DOUILLE FRICTION 14X16X15	BEARING FRICTION 14X16X15	COJINETE FRICCION 14X16X15
17	C170	ENTRETOISE TIRANT	LINK SPACER	CASQUILLO BIELETA
18	M305	ECROU NYLSTOP M8 0368.8	NUT NYLSTOP M8	TUERCA NYLSTOP M8
19	C167	DOILLER AIGUILLE BRAS/SUSP HK 16X20X2RS	BEARING HK 16202RS	CASQUILLO AGUJAS BASCU/SUSP HK16202RS
20	1207	PATIN DE CHAINE 07 TRIAL	CHAIN GUIDE PLATE 07 TRIAL	PATIN CADENA 07 TRIAL
21	M258	VIS BHC 5 X 16 1093	SCREW BHC 5 X 16	TORNILLO 5 X 16 ULS
22	1208	CARTER DE CHAINE 07	CHAIN PROTECTOR 07	CUBRE CADENAS 07
23	M282	VIS BHC 6 X 10 1093	SCREW BHC 6 X 10	TORNILLO 6 X 10 BHC
24	M278	VIS BHC 5 X 10 1093	SCREW BHC 5X10	TORNILLO 5 X 10 ULS
25	M281	VIS BHC 8 X 12 1093	SCREW BHC 8 X 12	TORNILLO 8 X 12 ULS
26	C151	DOUILLE AIGUILLE BRAS HK 20X20X2 RS	BEARING HK 20X20X2RS	CASQUILLO AGUJAS BASCULANTE HK20X20X2RS
27	C153	ENTRETOISE ARTICULATION BRAS	SPACER SWING ARM	CASQUILLO EJE BASCULANTE
28	C164	TENDEUR DE CHAINE	CHAIN TENSIONER	TENSOR CADENA
29	R205	RESSORT TENDEUR DE CHAINE	SPRING CHAIN TENSIONER	MUELLE TENSOR CADENA
30	R206	ENTRETOISE TENDEUR DE CHAINE	SPECER CHAIN ADJUST	CASQUILLO TENSOR CADENA
31	M300	VIS FHC 8 X 35 1089	SCREW FHC 8 X 35	TORNILLO AVELLANADO M8 X 35
32	R047	CAOUTCHOUC TENDEUR SEUL	CHAIN STRETCHER PLATE	GOMA TENSOR CADENA

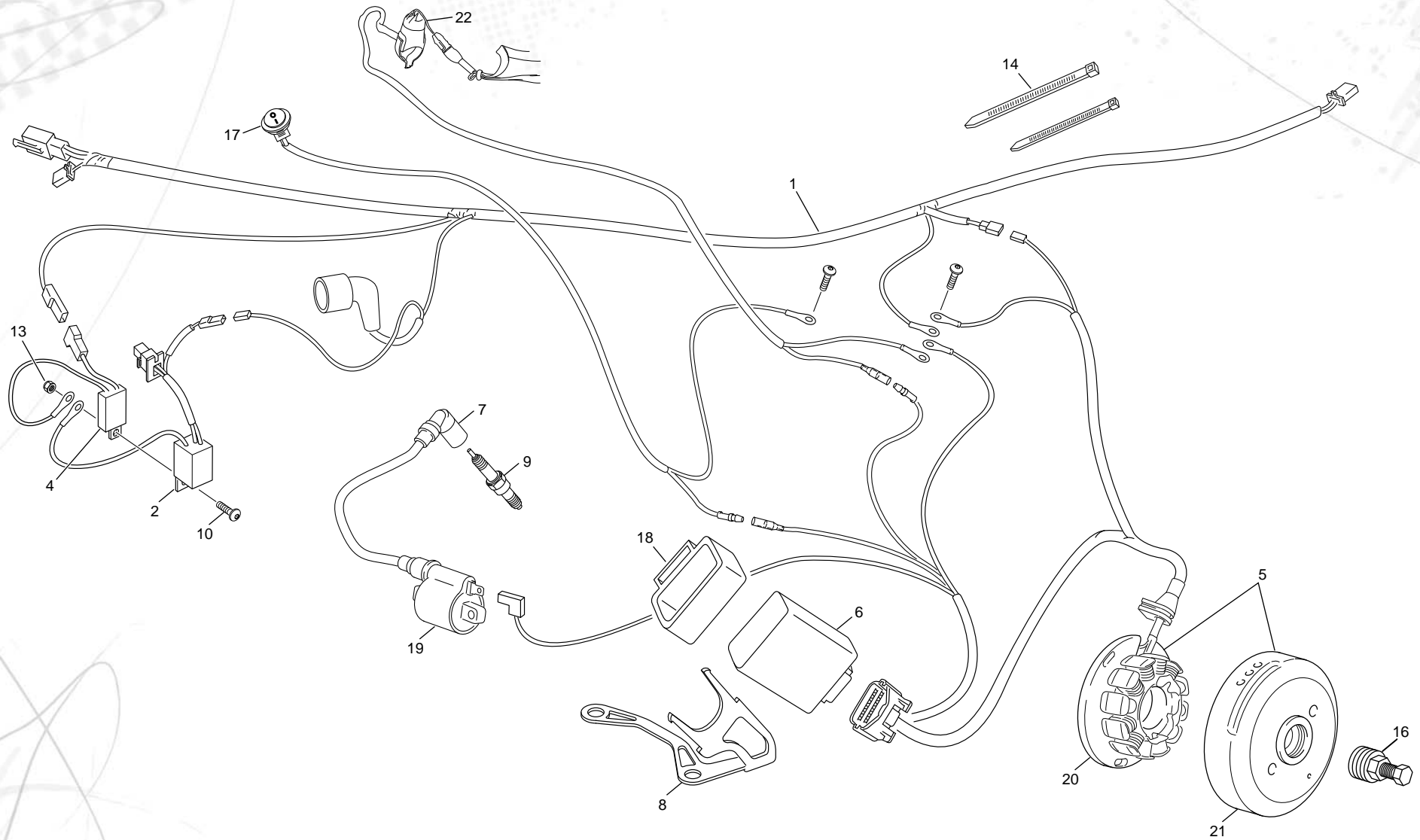
* -| NOUVELLE PIECE / NEW PART / PIEZA NUEVA



POS.	3.0	FRANÇAIS	ENGLISH	ESPAÑOL
33	C161	RESSORT DE BEQUILLE	SIDE STAND SPRING	MUELLE CABALLETE
34	4559	BEQUILLE SEULE ALU NOIR	LATERAL STAND BLACK	CABALLETE ALUMINIO NEGRO
35	3444	BIELETTE DELTA SEMI D TRIAL 2012	REAR SUSPENSION HALF R DELTA LINK TRIAL 2012	TRAPECIO SUSPENSION SEMI D TRIAL 2012
36	3446	ENTRETOISE BIELETTE DELTA TRIAL 2012	DELTA LINK SPACER TRIAL 2012	CASQUILLO TRAPECIO SUSPENSION TRIAL 2012
37	4542	SUPPORT DE BEQUILLE SANS BUTEE NOIR	STAND HOLDER WITHOUT RETAIN BLACK	SOPORTE CABALLETE SIN TOPE NEGRO
38	C166	VIS SPECIALE BEQUILLE	SIDE STAND SPECIAL BOLT	TORNILLO ESPECIAL CABALLETE
39	5511	BRAS OSCILLANT SCORPA	SWINGARM SCORPA	BASCULANTE SCORPA
40	2024	PROTECTEUR DISC ARIERE 09 NOIR TR	PROTECTOR BRAKE DISC BACK 09 BLACK	PROTECTOR DISCO TRASERO NEGRO 09
41	5190	AXE BRAS OSCILLANT	ALUMINIUM SWINGARM AXLE FINE	EJE BASCULANTE ALUMINIO FINO
42	2026	PROTECTEUR COURRONE NOIR TR	PROTECTEUR SPROKET BLACK TR	PROTECTOR CORONA NEGRO TR
43	M278	VIS BHC 5 X10 I093	SCREW BHC 5X10	TORNILLO 5 X 10 ULS
45	1663	CAUTCHOUC DE MAINTIEN DE BEQUILLE TRIAL 08	STAND SIDE RUBER TRIAL 08	GOMA CABALETE 08
46	3144	ECROU 14X125	NUT 14X125	TUERCA 14X125

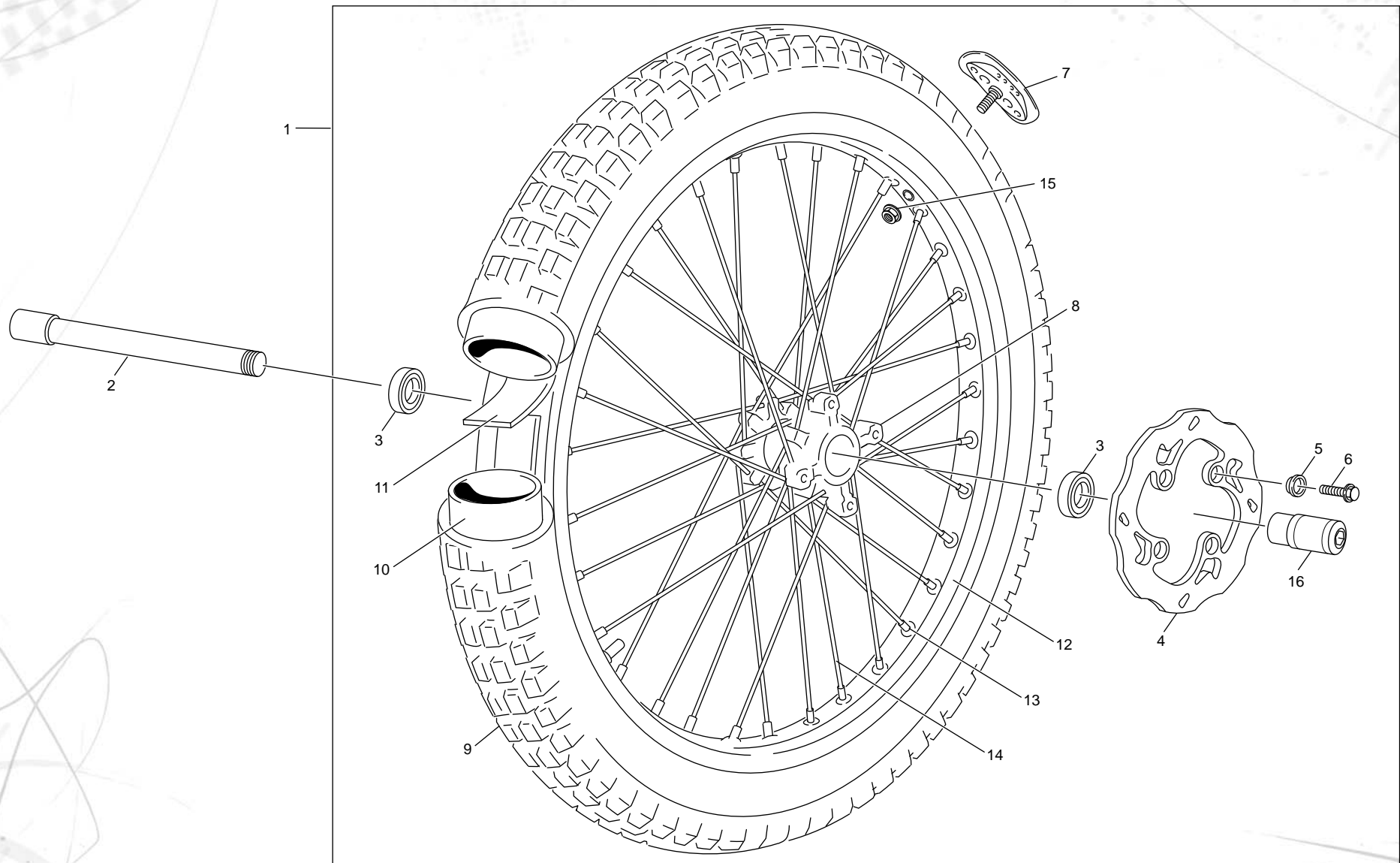


POS.	3.0	FRANÇAIS	ENGLISH	ESPAÑOL
1	3773	GRILLE RADIATEUR 12	RADIATOR PROTECTOR 12	REJILLA RADIADOR 12
2	5621	TUBE ECHAPPEMENT IN CONIQUE +40	EXHAUST PIPE IN CONIC +40	CURVA DE ESCAPE IN CONICA +40
3	5510	POT CENTRAL ALU SCORPA	EXH CENTRAL ALU SCORPA	SILENCIOSO CENTRAL ALU SCORPA
4	5475	DURITE CARTER RADIATEUR TR SCORPA	RUBBER TUBE CRANKSHAFT/RADIATOR TR SCORPA	MANGUITO CARTER/RADIADOR TR SCORPA
5	5474	DURITE CULASSE RADIATEUR TR SCORPA	RUBBER CILYNDER HEAD RADIATOR TR SCORPA	MANGUITO CULATA/RADIADOR TR SCORPA
6	2260	RADIATEUR 2T 2010	RADIATOR 2S 2010	RADIADOR 2T 2010
7	2256	THERMOCONTACT 2T 2010 75-68	THERMOSTAT 2T 2010 75-68	TERMOCONTACTO 2T 2010 75-68
8	2269	VALVE PRESSION RADIATEUR	PRESSION VALVE RADIATOR	VALVULA PRESSION RADIADOR
9	1523	VENTILATEUR COMEX 120	FAN DIAM COMEX 120	VENTILADOR COMEX 120
10	C104	JOINT TORIQUE POT CENTRAL 44 X 51 X 3,50	O-RING MIDDLE SILENCER 44 X 51 X 3,50	TORICA SILENCIADOR CENTRAL 44 X 51 X 3,50
11	5644	COLLIER DURITE NORMA 20	COLLARD NORMA 20	ABARAZADERA MANGUITOS 20
12	C118	SILENT BLOC RADIATEUR	SILENT-BLOC RADIATOR	SILENT-BLOC RADIADOR
14	2906	BOUCHON RADIATEUR TRIAL 2010	RADIATOR TAP TRIAL 2010	TAPON RADIADOR TRIAL 2010
15	M269	VIS BHC 6 X 20 CARROSSERIE	SCREW BHC 6 X 20 CARROSSERIE	TORNILLO 6 X 20 ESPECIAL CARROCERIA
16	5509	PROTECTEUR ECHAPPEMENT SCORPA	EXHAUS COVER SCORPA	PROTECTOR ESCAPE SCORPA
18	2937	VIS BHC 5 X 8	SCREW BHC 5 X 8	TORNILLO 5 X 8
19	2860	RONDELLE ALU 8X12X1	WASHER ALU 8X12X1	ARANDELA ALU 8X12X1
20	M168	TORIQUE 14 X18X2	O RING 14X18X2	TORICA 14X18X2
21	M252	VIS CHC 6 X 20 0084	SCREW CHC 6 X 20	TORNILLO 6 X 20 DIN 912
23	3952	ENTRETOISE RADIATEUR	RADIATOR BRUSH	CASQUILLO RADIADOR
24	3772	RIVET ZEBRA 2.4 X8	RIVET POP DIAM 2.4 X8	REMACHE 2.4 X8
25	M301*	VIS FHC 8 X 20 1089 ZN NI TR	SCREW FHC 8 X 20 ZN NI TR	TORNILLO AVELLANADO M 8 X 20 ZN NI TR
26	3952	ENTRETOISE RADIATEUR	RADIATOR BRUSH	CASQUILLO RADIADOR
27	3194	CAUTCHOUC SILENTBLOCK	SILENTBLOCK RUBBER	CAUCHO SILENTBLOCK
28	3193	ENTRETOISE SILENTBLOCK	BUSH SILENTBLOCK	CASQUILLO SILENTBLOCK
29	M345	VIS BHC 6 X 12 CAROSSERIE	SCREW BHC 6 X 12 BODY	TORNILLO BHC 6 X 12 CAROSSERIA
30	M308	ECROU CLIP M6 0500500400	NUT CLIP M6	TUERCA CLIP M6
31	5577	GOME INTERIEUR CONE SORTIE SILENCIEUX TR 14	INTERNAL RUBBER CONE EXHAUST SILENCER TR 14	GOMA INTERIOR CONO SALIDA SILENCIADOR TR 14
32	5127	CONE SORTIE SILENCIEUX TR 14	CONE EXHAUST SILENCER TR 14	CONO SALIDA SILENCIADOR TR 14
34	5487	CANE DE RECHANGE SILENCIEUX TR SHERCO	TUBE SPARE PARTS EXHAUST TR SHERCO	CAÑA DE RECAMBIO SILENCIOSO TR SHERCO
35	M651	JOINT 13.10 X 1.6 SORTIE EAU 4T TRIAL	WATER EXIT O SEAL 13.10 X 1.6 4T TRIAL	TORICA 13.105 X 1.6 TUBO SALIDA AGUA 4T TRIAL



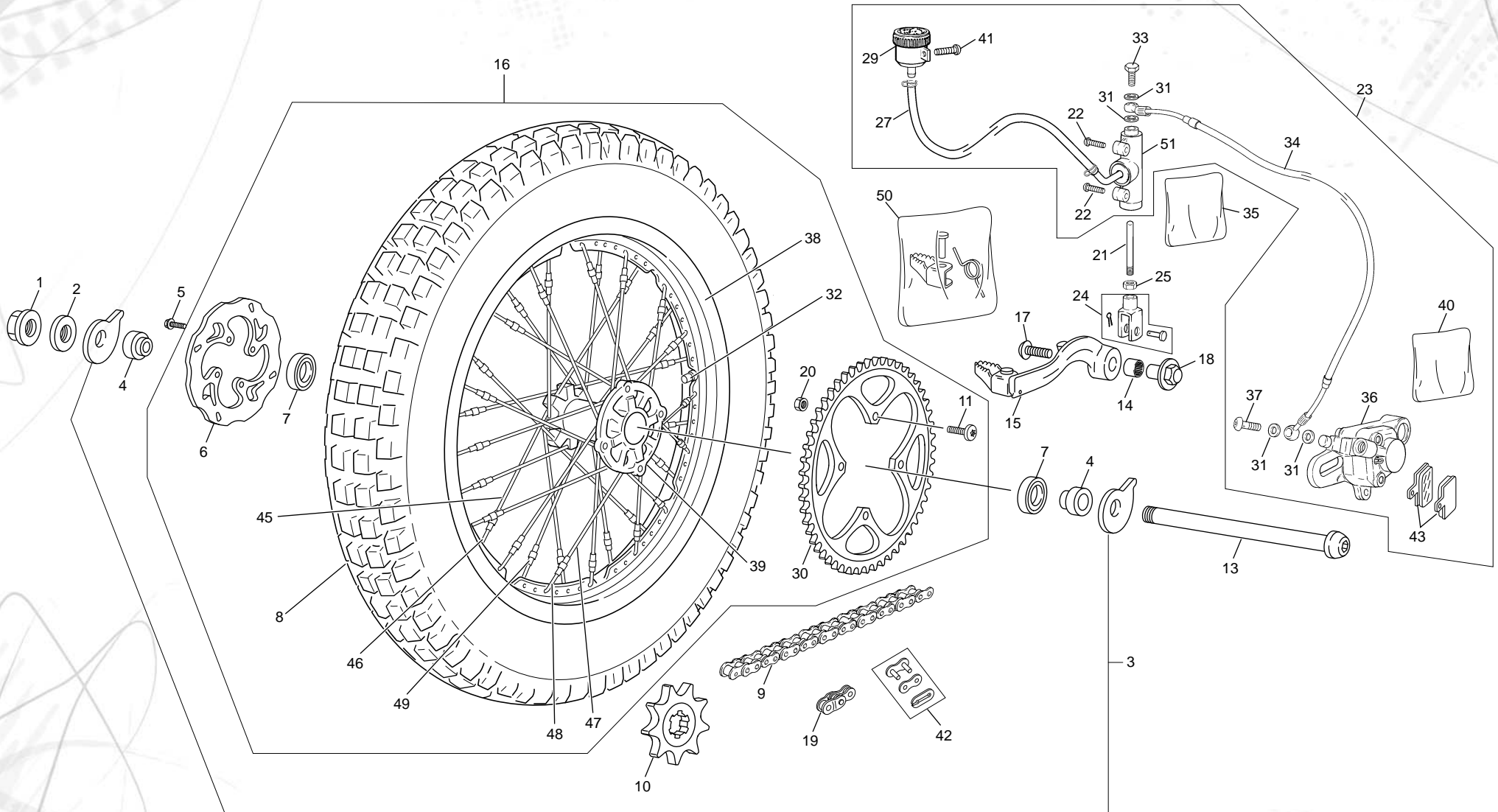
POS.	3.0	FRANÇAIS	ENGLISH	ESPAÑOL
1	2879	FAISCEAU ARRIERE SR280	FAISCEAU ARRIERE SR280	INSTALATION ELEC. TRAS SR 280
2	2825	DIODE REDRESSEUSE VENTILATEUR COMEX 2010	DIODE COMEX 2010	RECTIFICADOR VENTILADOR COMEX 2010
4	M182	REGULATEUR LEONELLI	REGULATOR	REGULADOR
5	3579	ALLUMAGE CPL HI 125 DIGITAL 2T 12P	IGNITION CPL HI 125 DIGITAL 2T 12P	ENCENDIDO COMPLETO HI 125 DIGITAL 2T 12P
6	3580	CDI HI TRIAL DOUBLE COURBE 2T 2012	CDI BOX HI TRIAL DOUBLE CURVE 2T 2012	CDI HI TRIAL DOBLE CURVA 2T 2012
7	3206	ANTIPARASITE SILICONE	SPARK PLUG CAP SILICONE	PIPA BUJIA SILICONA
8	3207	FIXATION BOBINE SCORPA	FIXATION BOBINE SCORPA	FIJACION BOBINA SCORPA
9	M183	BOUGIE COMP	SPARK PLUG	BUJIA COMP
10	M306	ECROU NYLSTOP M6 0368.6	NUT NYLSTOP M6	TUERCA NYLSTOP M6
13	M274	RONDELLE GROSVER X 6 DIN 6798J 0428	WASHER GROSVER X 6 DIN 6798J 0428	ARANDELA GROSVER X 6 DIN 6798J 0428
14	M331	COLLIER RISLAN I00 X 2.5	COLLIER I00 X 2.5	ABRAZADERA I00X 2.5
16	R075	OUTIL EXTRACTEUR ROTOR ALLUMAGE	PULLER FOR FLYWHEEL	EXTRACTOR ENCENDIDO
17	5013	MICROINTERRUPTEUR MAP	MICROINTERRUPTOR MAP	MICROINTERRUPTOR MAP
18	3586	CAUTCHOUC SUPPORT CDI HI TRIAL	RUBBER CDI HI TRIAL	GOMA CDI HI TRIAL
19	3581	BOBINE HI TRIAL 2T 2012	IGNITION COIL TRIAL 2T2012	BOBINA HI TRIAL 2T 2012
20	5513	STATOR ALLUMAGE SEUL TRIAL 125CC	IGNITION TRIAL 125CC	STATOR SUELTO TRIAL 125CC
21	5514	ROTOR ALLUMAGE TRIAL 125CC	FLYWHEEL IGNITION TRIAL 125CC	ROTOR ENCENDIDO TRIAL 125CC
22	R493*	DISPOSITIF TOMBÉE PILOTE	FALLEN DEVICE RIDER	DISPOSITIVO CAIDA PILOTO

* -| NOUVELLE PIECE / NEW PART / PIEZA NUEVA



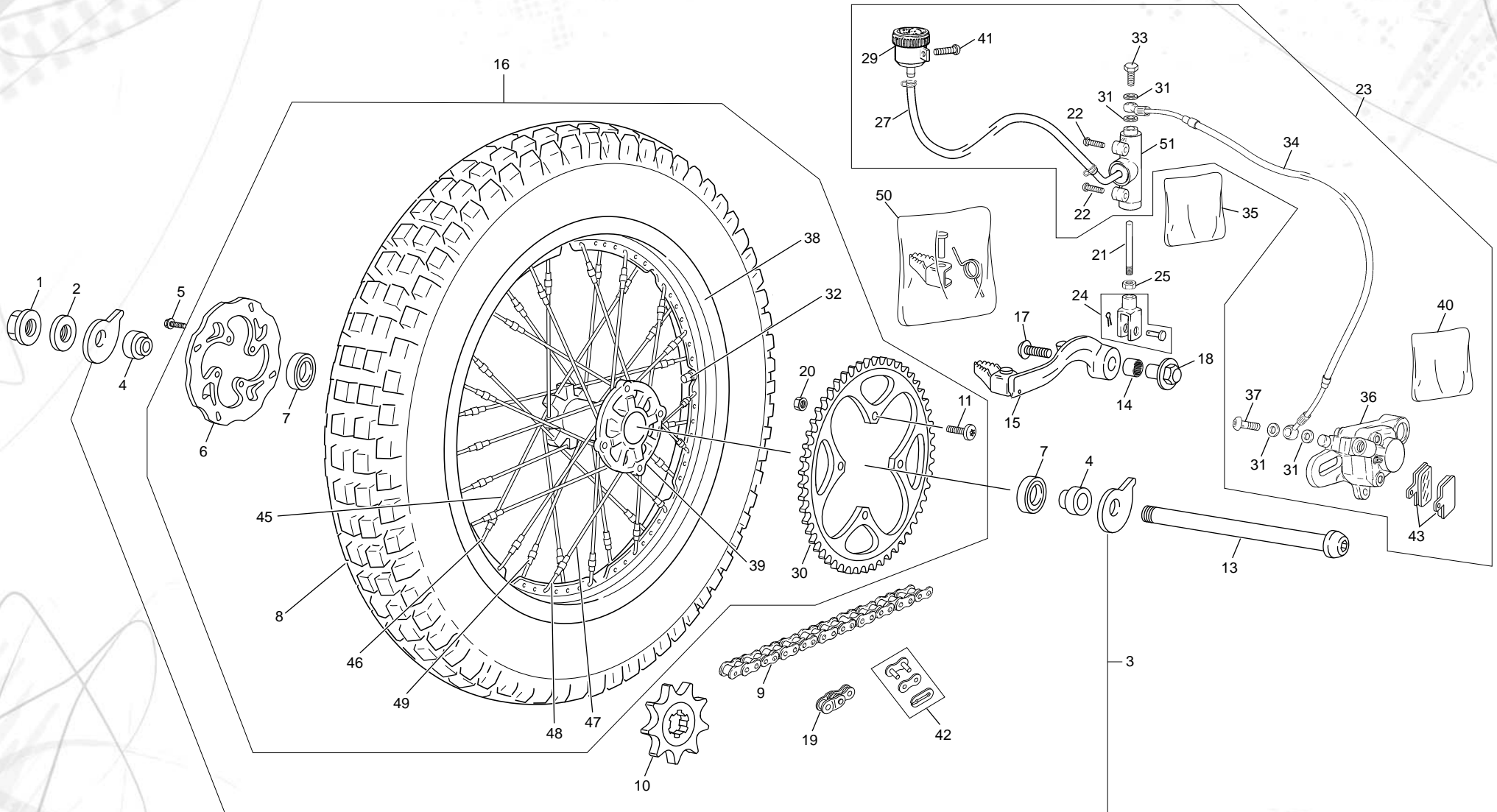
POS.	3.0	FRANÇAIS	ENGLISH	ESPAÑOL
1	6060*	ROUE AVANT TR. TITAN+MOYEU BLANC TW. '15 FAC	FRONT WHEEL TR TITAN+HUB WHITE TWENTY '15 FAC.	RUEDA DEL TR TITANIO+BUJE BLANCO TW. 2015 FAC.
2	2770*	AXE DE ROUE AVANT TS NOIR	AXE ROUE AV 20MM SR280	EJE RUEDA DEL SR 280
3	0175	ROULEMENTS A BILLES 6004.2RSH/C3	BERING BALL 6004.2RSH/C3	COJINETE 6004.2RSH/C3
4	5357*	DISQUE FREIN AVANT GALFER TR F	FRONT DISC GALFER TR F	DISCO DELANTERO GALFER TR F
5	C209	ENTRETOISE DISQUE AVANT	SPACER DISC	CASQUILLO FLOTANTE DISCO
6	C452	VIS HEXAGONAL EPAULE M6 X 18	SCREW EXAGONAL M6 X 18	TORNILLO EXAGONAL M6 X 18
7	C203	GRISTER	TYRE STAY	AGARRACUBIERTAS
8	5472	MOYEU AVANT ORANGE	FRONT HUB ORANGE	BUJE DELANTERO NARANJA
9	C204	PNEU AVANT 275X21	FRONT TIRE 2.75 X 21	NEUMATICO DELANTERO 2.75 X 21
10	2809	ECROU AXE ROUE AVANT RACING MARZOCCHI	NUT FRONT WHEEL AXE MARZZOCHI SR 280	TUERCA EJE RUEDA DEL MARZZOCHI SR 280
11	C201	RUBAN FOND DE JANTE R14025	RIM RUBBER PROTECTION	GOMA PROTECCION LLANTA
12	4644	JANTE AVANT 1.60X21 32 RAYONS TITANE	FRONT RIM 1.60X21 32 R TITANIUM	LLANTA DELANTERA 1.60X21 32 RADIOS TITANIO
13	3398	ECROU DE RAYON AVANT M3.5X0.60	FRONT NEEPLE SPOCKE M3.5X0.60	TUERCA RADIO DELANTERO M3.5X0.60
14	3397	RAYON 257 X 3 NEW NOIR	SPOCKE 257 X 3 NEW BLACK	RADIO 257 X 3 NUEVO NEGRO
15	M305	ECROU NYLSTOP M8 0368.8	NUT NYLSTOP M8	TUERCA NYLSTOP M8
16	2885*	ECROU AXE ROUE AVANT MZ	FRONT WHEEL BUSHING MZ	TUERCA EJE RUEDA DEL MZ

* -| NOUVELLE PIECE / NEW PART / PIEZA NUEVA

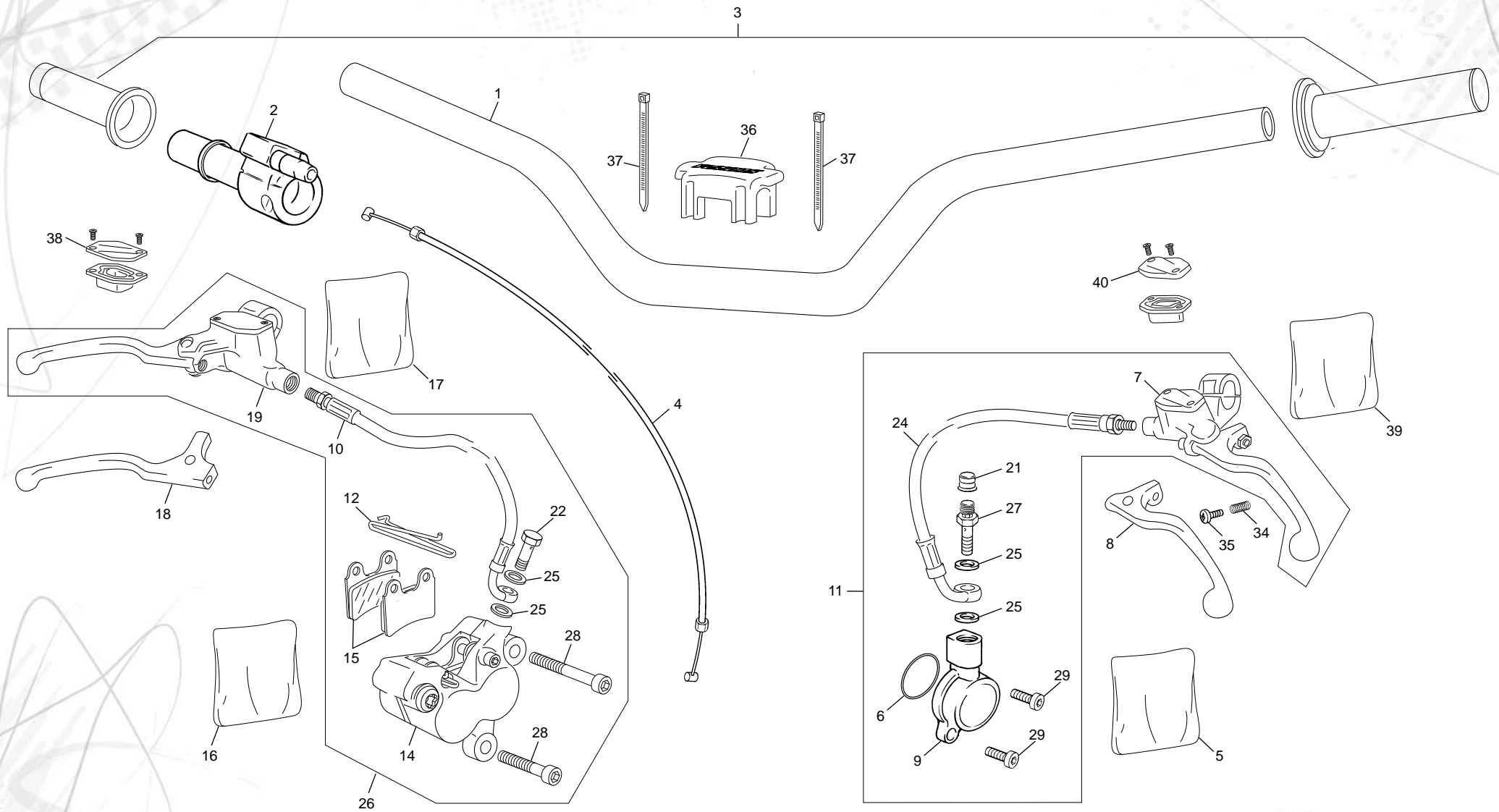


POS.	3.0	FRANÇAIS	ENGLISH	ESPAÑOL
1	C253	ECROU ROUE ARRIERE	REAR AXLE NUT	TUERCA EJE RUEDA TRASERA
2	M314	RONDELLE X 17 I405 016	WASHER X 17	ARANDELA X 17
3	6069*	EXCENT TENDEUR CHAINE JEU TITANIUM TWENTY FAC	SET RUNNER CHAIN TITANIUM TWENTY FAC	JUEGO EXCENTRICAS TITANIO TWENTY FAC
4	C255	ENTRETOISE ROUE ARRIERE	REAR BRUSH	SEPARADOR RUEDA TRASERA
5	M249	VIS CHC TETE BASSE 6 X 20 SS TROU GUIDAGE	SCREW CHC 6 X 20	TORNILLO M 6 X 20 CABEZA REBAJADA
6	5358*	DISQUE FREIN ARRIERE GALFER TR F	REAR DISC GALFER TR F	DISCO FRENO TRASERO GALFER TR F
7	0175	ROULEMENTS A BILLES 6004.2RSH/C3	BERING BALL 6004.2RSH/C3	COJINETE 6004.2RSH/C3
8	C251	PNEU ARRIERE X1 I 400X18	REAR TYRE X1 I 400 X 18	NEUMATICO TRAS. X1 I 400 X 18 TUBELESS
9	C265	CHAINE 103M	CHAIN 103M	CADENA 103M
10	C267	PIGNON 9 D	SPROCKET 9 T	PINON 9 D
11	M287	VIS BHC 8 X 22	SCREW BHC 8 X 22	TORNILLO BHC 8 X 22
13	4594	AXE ROUE ARRIERE NOIR	AXELE BACK WEEL BLACK	EJE RUEDA TRAS NEGRO
14	2299	DOUILLE BRONZE PEDALE FREIN TR	BEARING	CASQUILLO BRONCE PEDAL FRENO TR
15	4560	PEDALE DE FREIN NOIR	REAR BRAKE PEDAL BLACK	PEDAL FRENO TRASERO NEGRO
16	6061*	ROUE ARRI TR TIT.+MOYEU BLANC TW.' 15 FACT	BACK WEEL TR TITANIUM+HUB WHITE TW.' 15 FACT.	RUEDA TRAS TR TIT.+ BUJE BLANCO TWENTY ' 15 FACT.
17	M280	VIS BHC 8 X 16 1093	SCREW BHC 8 X 16	TORNILLO 8 X 16 ULS
18	5076	ENTRETOISE PEDALE DE FREIN INTEGRALE	SPACER BRAKE PEDAL INTEGRAL	CASQUILLO PEDAL DE FRENO INTEGRAL
19	C304	1/2 MAILLON DE CHAINE	HALF COMPLING CONNECTION	MEDIA MALLA DE CADENA
20	M305	ECROU NYLSTOP M8 0368.8	NUT NYLSTOP M8	TUERCA NYLSTOP M8
21	C261	TIGE FREIN ARRIERE	PIN BRAKE ROD	TIJA PEDAL FRENO TRASERO
22	M284	VIS BHC 6 X 25 ACZI NOIRE	SCREW BHC 6 X 25 NEGRO	TONILLO 6 X 25 ULS BLACK
23	C321	GROUPE FREIN ARRIERE	REAR BRAKE COMPLETE	CTO FRENO TRASERO
24	C259	CHAPE PEDALE FREIN 0267	REAR BRAKE ROD	HORQUILLA PEDAL DE FRENO
25	M309	ECROU STANDARD M6 0317	NUT M6	TUERCA M6
26	C385	POMPE FREIN AR 9.5	REAR MASTER CYLINDER 9.5	BOMBA FRENO TRASERO 9.5
27	R069	TUBE LIQUIDE FREIN BOCAL/POMPE L 210	OIL TANK TUBE L 210	TUBO LIQUIDO FRENO L 210
29	R066	BOCAL LIQUIDE FREIN	OIL TANK BRAKE	DEPOSITO LIQUIDO FRENO
30	4333	COURRONE 53D 4 TROUS LEGERE NOIR	REAR SPROKET 53D LIGTH BLACK	CORONA 53D 4TROUS LIGERA NEGRA
31	R074	RONDELLE BANJO CUIVRE 10X14X1.5	WASHER COPPER 10X14X1.5	ARANDELLA BANJO COBRE 10X14X1.5
32	3631	VALVE AR JANTE NER	TUBLESS VALVE RIM NER	VALVULA LLANTA NERVIO
33	R059	VIS RACCORD M10 X 21 HEXA	LINK SCREW M10 X 21 HEXA	TORNILLO RACORD M10 X 21 HEXA
34	C388	DURITE FREIN ARRIERE 2002	REAR BRAK HOSE 2002	LATIGUILLO FRENO TRASERO 2002

* -| NOUVELLE PIECE / NEW PART / PIEZA NUEVA

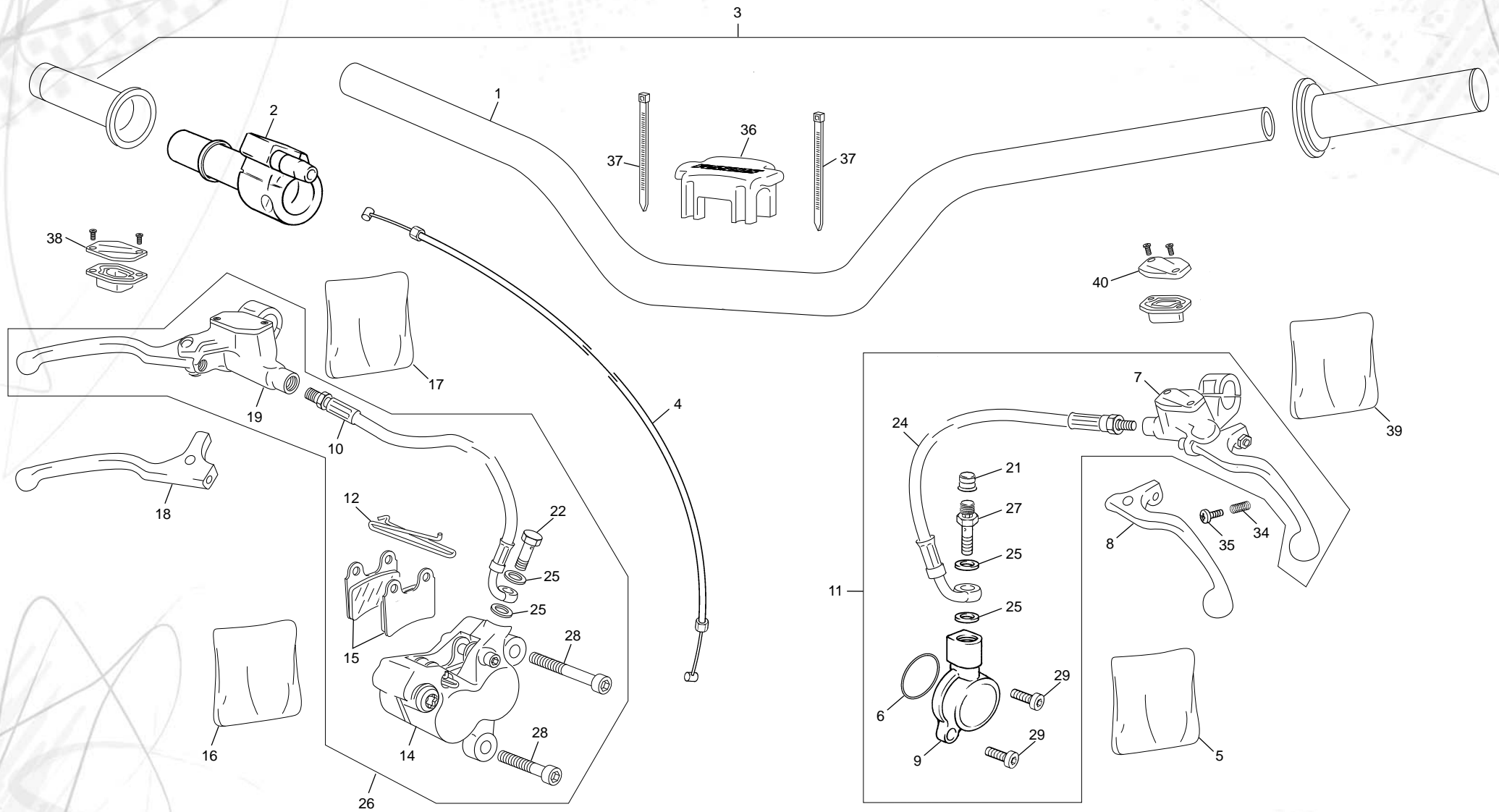


POS.	3.0	FRANÇAIS	ENGLISH	ESPAÑOL
35	R233	KIT REPARATION POMPE FREIN AR 2002	REAR MASTER CYLINDER SEAL KIT 2022	KIT REPARATION PINZA FRENO TR 2002
36	C386	ETRIER FREIN ARRIERE 2002	REAR CALIPER 2002	PINZA FREINO TRASERO 2002
37	R058	CAPUCHON VIS DE PURGE	HOOD SCREW PURGE	TAPON SANGRADOR
38	4645	JANTE ARRIERE TITANE NERVURE 32 RAYONS	REAR RIM TITANIUM NERVE 32 R	LLANTA TRASERA TITANIO NERVADA 32 R
39	5473	MOYEU ARRIERE ORANGE	REAR HUB ORANGE	BUJE TRASERO NARANJA
40	R235	KIT ETRIER ARRIERE 2002	KIT CALIPER BACK 2002	KIT PINZA FRENO TR 2002
41	M282	VIS BHC 6 X 10 1093	SCREW BHC 6 X 10	TORNILLO 6 X 10 BHC
42	R034	ATTACHE RAPIDE DE CHAINE	CONNECTING LINK	ENGANCHE CADENA
43	C390	PLAQUETTES FREIN ARRIERE PAIRE 2002	REAR PAD BRAKE PAIR 2002	JUEGO PASTILLAS TRASERO 2002
45	3391	RAYON DEMIE 165X3.5 NOIR COTE DISQUE	HALF SPOCKE 165X3.5 BLACK SIDE BRAKE	RADIO SEMI 165X3.5 NEGRO LADO DISCO
46	3392	RAYON L MINI 34.5X3.5 COTE DISQUE NOIR	RAYON L MINI 34.5X3.5 COTE DISQUE BLACK	RADIO L MINI 34.5X3.5 LADO DISCO NEGRO
47	3393	RAYON DEMIE 175X3.5 COTE COURONE NOIR	HALF SPOCKE 175X3.5 SIDE TRANS BLACK	RADIO SEMI 175X3.5 LADO CORONA NEGRO
48	3394	RAYON L MINI 35.5X3.5 COTE COURONE NOIR	SPOCKE L MINI 35.5X3.5 SIDE TRANS BLACK	RADIO L MINI 35.5X3.5 LADO CORONA NEGRO
49	3395	TENDEUR RAYON AR	REAR NIPPLE SPOKE	TENSOR RADIO TRASERO
50	5326	KIT REPARATION PEDALE DE FREIN	KIT REPARATION REAR BRAKE LEVER	KIT REPARACION PEDAL FRENO TRASERO
51	5659	POMPE FREIN AR 9.5 SCORPA	REAR MASTER CYLINDER 9.5 SCORPA	BOMBA FRENO TRASERO 9.5 SCORPA

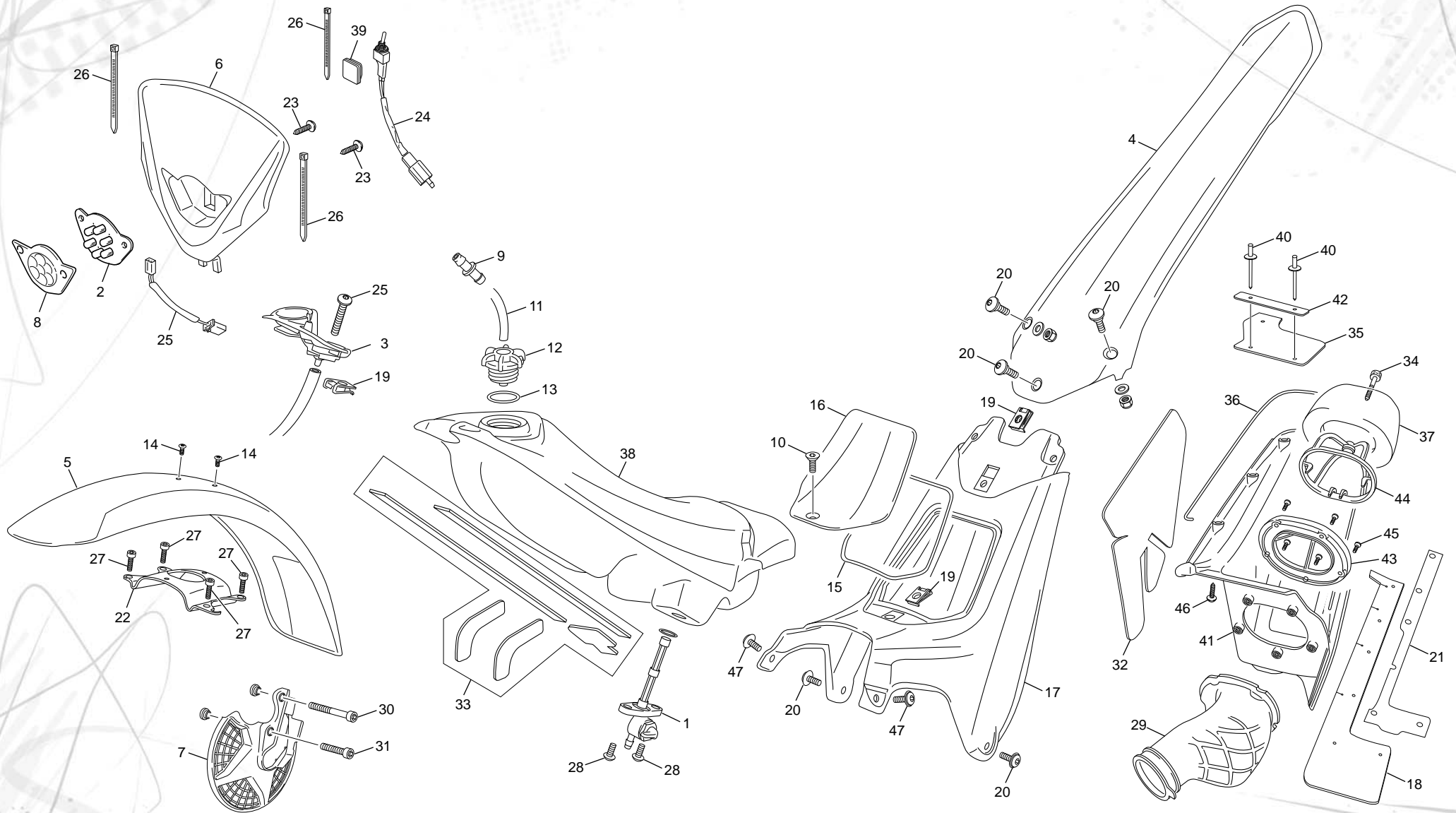


POS.	3.0	FRANÇAIS	ENGLISH	ESPAÑOL
1	5353*	GUIDON TRIAL BLANCHE F	HANDLEBAR TRIAL WHITE F	MANILLAR TRIAL BLANCO F
2	C074	COMMANDE DE GAZ	THROTTLE CONTROL	MANDO DE GAS
3	1662	POIGNEE CAOUTCHOUC PAIRE REA	GRIPS SET REA	JUEGO EMPUNADURAS REA
4	5546	CABLE DE GAZ KEIHIN SCORPA	THROTTLE CABLE KEIHIN SCORPA	CABLE DE GAS KEIHIN SCORPA
5	5529	KIT PISTON EMETEUR EMBRAYAGE TRIAL BRAKTEC	PISTON KIT BBRAKE TRIAL BRAKTEC	KIT PISTONE EMPUJADOR EMBRAGUE TRIAL BRAKTEC
6	R024	TORIQUE 35 X 31 X 2 EMB/CARTER	O-RING 31 X 2 (CLUTCH)	TORICA 31 X 2 EMBRA/CARTER
7	5520	POMPE EMB CPL BRAKTEC	CLUTCH FRONT PUMP ASSY BRAKTEC	CTO BOMBA EMB BRAKTEC
8	5523	LEVIER EMBRAYAGE BRAKTEC	LEVER CLUCH BRAKTEC	MANETA EMBRAGUE BRAKTEC
9	5528	CYLINDRE RECEPTION D EMBRAYAGE TRIAL BRAKTEC	SLAVE CYLINDER250 TRIAL BRAKTEC	BOMBIN EMBRAGE TRIAL BRAKTEC
10	5531	DURITE FREIN AVANT BRAKTEC	FRONT BRAKE HOSE BRAKTEC	LATIGUILLO FRENO DELANTERO BRAKTEC
11	5079	GROUPE CPL EMB BRAKTEC	COMPLETE CLUTCH SET BRAKTEC	GRUPO EMBRAGUE COMPLETO BRAKTEC
12	R042	CLIP PLAQUETTES	CLIP PAD BRAKE	MUELLE PASTILLAS FRENO
14	5524	CORPS ETRIER FREIN AVANT DOUBLE PISTON BRAKTEC	BODY FRONT CALIPER 2 PISTON BRAKTEC	CUERPO PINZA FRENO DEL DOBLE PISTON BRAKTEC
15	C389	PLAQUETTES FREIN AVANT PAIRE 2002	FRONT PAD BRAK PAIR 2002	JUEGO PASTILLAS FRENO DEL JUEGO 2002
16	5525	KIT REPARATION PISTON POMPE BRAKTEC	PISTON KIT 10 MM BRAKTEC	KIT REPARACION PISTON BOMBA BRAKTEC
17	5517	KIT REPARATIONJ PISTON BRAKTEC	PISTON KIT 10 MM BRAKTEC	KIT REPARACION PISTON BOMBA BRAKTEC
18	5519	LEVIER FREIN AVANT BRAKTEC	FRONT BRAKE LEVER BRAKTEC	MANETA FRENO DEL BRAKTEC
19	5567	POMPE FREIN AV CPL BRAKTEC	FRONT PUMP ASSY BRAKTEC	BOMBA FRENO DEL BRAKTEC
21	R058	CAPUCHON VIS DE PURGE	HOOD SCREW PURGE	TAPON SANGRADOR
22	5527	KIT PURGE BRAKTEC	BLEENDING SCREW KIT BRAKTEC	KIT PURGA FORMULA BRAKTEC
24	5532	DURITE EMBRAYAGE BRAKTEC	CLUTCH HOSE BRAKTEC	LATIGUILLO EMBRAGUE BRAKTEC
25	3213	RONDELLE BANJO M8 (VOIR 2860)	ALUMINIUM SEAL M8 (SEE 2860)	ARANDELLA BANJO M8 (VER 2860)
26	5078	GROUPE FREIN AVANT DOUBLE PISTON BRAKTEC	FRONT BRAKE GROUP COMPLETE BRAKTEC	CTO FRENO DELANTERO DOBLE PISTON BRAKTEC
27	5530	KIT PURGE BRAKTEC	BLEENDING SCREW KIT BRAKTEC	KIT PURGA BRAKTEC
28	R236	AXE ETRIER FREIN AV DL/PISTON	PIN FRONT CALIPER DL PISTON	EJE PINZA FRENO DL/PISTON
29	M252	VIS CHC 6 X 20 0084	SCREW CHC 6 X 20	TORNILLO 6 X 20 DIN 912
34	R367	RESSORT LEVIER EMB	SPRING CLUTCH LEVER	MUELLE REGULATION LEVA EMB
35	R368	VIS TENDEUR LEVIER EMB	SCREW REGUL CLUTCH LEVER	TORNILLO REGULATION LEVA EMB
36	5479	MOUSSE GUIDON TRIAL SCORPA	FOAM HANDLEBAR SCORPA	ESPUMA MANILLAR TRIAL SCORPA
37	1246	COLLIER RISLAN MOUSSE O7	COLLIER O7	ABRAZADERA PROTECTOR MANILLAR O7
38	6140*	COUVERCLE MAITRE CYLINDRE FREIN ALU TITANE TR	MASTER CYLINDER COVER RIGHT ALU TITAN TR	TAPETA BOMBA FRENO ALU TITANIO TR
39	5521	KIT REPARATIONJ PISTON EMB BRAKTEC	PISTON CLUTCH KIT BRAKTEC	KIT REPARACION PISTON EMBRAGUE BRAKTEC

* -| NOUVELLE PIECE / NEW PART / PIEZA NUEVA

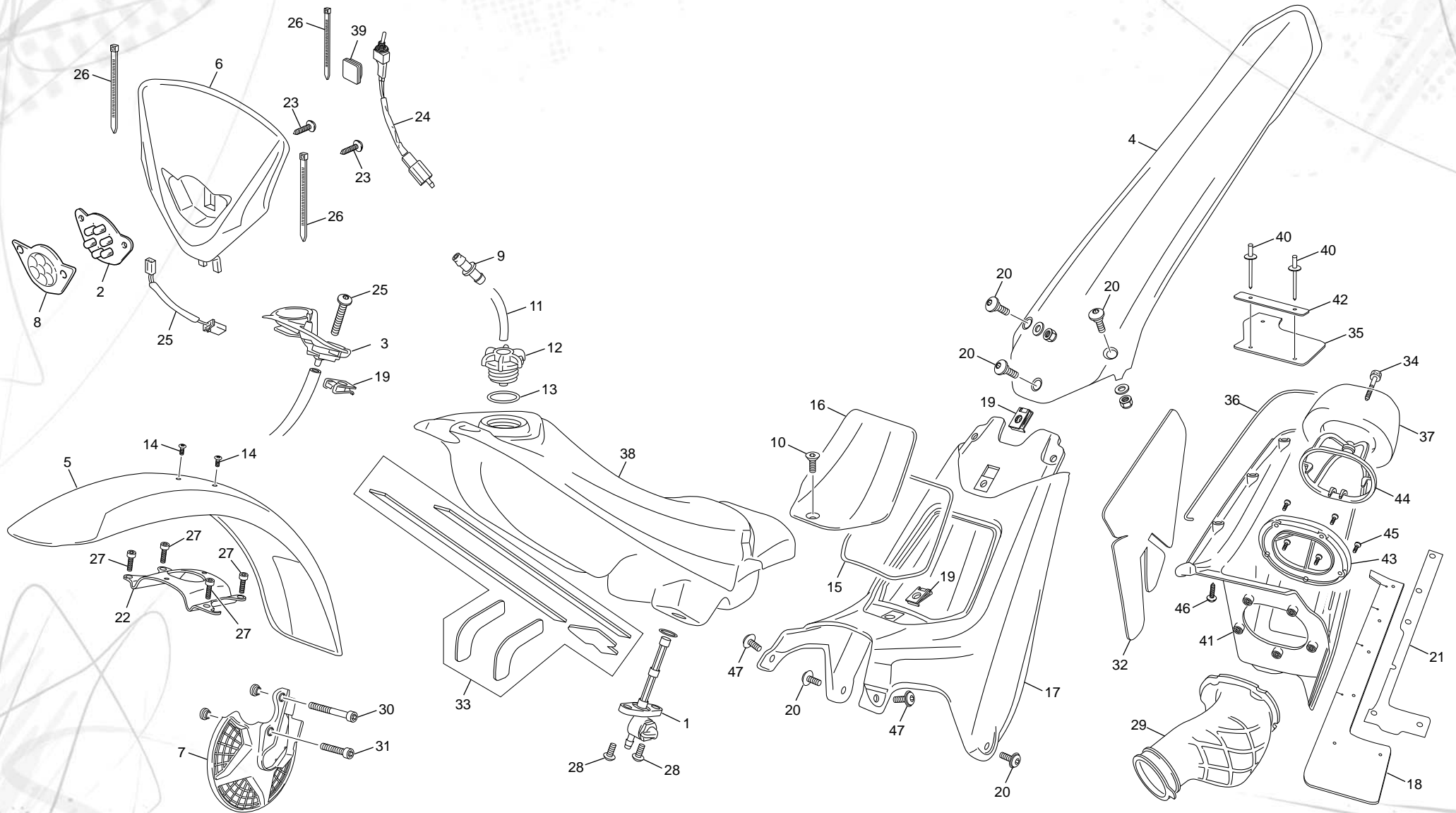


POS.	3.0	FRANÇAIS	ENGLISH	ESPAÑOL
40	6141*	COUVERCLE MAITRE CYLINDRE EMRAYAGE ALU TITA. TR	MASTER CYLINDER COVER LEFT ALU TITAN TR	TAPÓN BOMBA EMBRAGUE ALU TITANIO TR



POS.	3.0	FRANÇAIS	ENGLISH	ESPAÑOL
1	C023	ROBINET ESSENCE	PETROL TAP	GRIFO GASOLINA
2	2762	LED FEU AV/ARR SR280	FRONT/REAR BULB SR280	LED DELANTERO/TRASERO SR280
3	5498	GUIDE CÂBLES SCORPA	CABLES GUIDE SCORPA	GUIA CABLES SCORPA
4	5489	PARE BOUE ARRIERE NOIR TR SCORPA	REAR MUDGUARD BLACK TR SCORPA	GUARDABARRO TRASERO NEGRO TR SCORPA
5	5488	PARE BOUE AVANT NOIR TR SCORPA	FRONT MUDGUARD BLACK TR SCORPA	GUARDABARRO DELANTERO NEGRO TR SCORPA
6	5485	PLAQUE PHARE NOIRE SCORPA 2015	FRONT LIGHT BLACK SCORPA 2015	PLACA FARO NEGRA SCORPA 2015
7	3377*	PROTEGE DISQUE AV NOIR MZ	DISC COVER BLACK MZ	CUBREDISCO DELANTERO NEGRO MZ
8	3195	OPTIQUE FEU AV BLANCHE SR280	FRONT LIGHT COVER WHITE SR 280	OPTICA PILOTO DEL BLANCA SR 280
9	5725	GROUPE VALVE ANTI RETOUR	ANTI RETURN VALVE GROUP	GRUPO VALVULA ANTI RETORNO
10	5581	VIS FHC M6X15 NOIR	SCREW FHC M6X15 BLACK	TORNILLO FHC M6X15 NEGRO
11	5508	DURITE MISE A L' AIR SCORPA	PETROL TUBE SCORPA	TUBO RESPIRADERO SCORPA
12	5481	BOUCHON ESSENCE SCORPA	PETROL CAP SCORPA	TAPON GASOLINA SCORPA
13	5483	JOINT BOUCHON ESSENCE TRIAL SCORPA	SEAL PETROL CAP TRIAL SCORPA	JUNTA TAPON GASOLINA TRIAL SCORPA
14	M278	VIS BHC 5 X10 I093	SCREW BHC 5X10	TORNILLO 5 X 10 ULS
15	5502	GOME ETANCHEITE COUVERCLE FILTRE SCORPA 4X492	SEALING RUBBER COVER FILTER BOX SCORPA 4X492	GOMA ESTANQUEIDAD TAPA FILTRO SCORPA 4X492
16	5499	COUVERCLE FILTRE SCORPA	AIR FILTER BOX COVER SCORPA	TAPA FILTRO SCORPA
17	5500	BOITE FILTRE SCORPA	AIR FILTER BOX SCORPA	CAJA DE FILTRO SCORPA
18	5484	BAVETTE AM SCORPA	REAR SHOCK COVER SCORPA	PROTECTOR AMORTIGUADOR SCORPA
19	M308	ECROU CLIP M6 0500500400	NUT CLIP M6	TUERCA CLIP M6
20	3953	VIS CARROSSERIE 6 X 16 NOIR	SCREW BHC 6 X 16 CARROSSERIE BLACK	TORNILLO CARROCERIA 6 X 16 NEGRO
21	5704	ADH DOUBLE FACE BAVETTE AMORTISSEUR SCORPA	STICKER DOUBLE FACE REAR SHOCK COVER SCORPA	ADH. DOBLE CARA PROTE. AMORTIGUADOR SCORPA
22	5643	ARCEAU FOURCHE MARZOCCHI NOIR SCORPA 2015	FRONT MURGAR HOLDER MARZOCCHI BLACK SC. '15	PUENTE HORQUILLA MARZOCCHI NEGRO SCORPA '15
23	2939	VIS TOLE 3.9 X 19	SCREW TOLE 3.9 X 19	TORNILLO DIN 7981 3.9 X 19
24	2921	INTERUPTEUR LUMIERE TRIAL 2010	FRONT LIGHT STOP TRIAL 2010	INTERUPTOR LUCES TRIAL 2010
25	M343	VIS BHC 6 X 35 I093	SCREW BHC 6 X 35 I093	TORNILLO BHC 6 X 35 I093
26	M331	COLLIER RISLANI 00 X 2.5	COLLIER 100 X 2.5	ABRAZADERA 100X 2.5
27	2938	VIS CHC 6 X 12 0084	SCREW CHC 6 X 12	TORNILLO 6 X 12 DIN 912
28	M278	VIS BHC 5 X10 I093	SCREW BHC 5X10	TORNILLO 5 X 10 ULS
29	5503	RACCORD FILTRE CARBU SCORPA	MANIFOLD FILTER/CARBU SCORPA	TOBERA FILTRO CARBU SCORPA
30	M265	VIS CHC 8 X 60 0084	SCREW CHC 8 X 60	TORNILLO 8 X 60 ALLEN
31	M262	VIS CHC 8 X 30 0084	SCREW CHC 8 X 30	TORNILLO 8 X 30ALLEN
32	5482	ADESIF THERMIQUE BOITE FILTRE SCORPA	SET THERMIC STICKER FILTER BOX SCORPA	PROTECTOR TERMICO CAJA DE FILTRO SCORPA

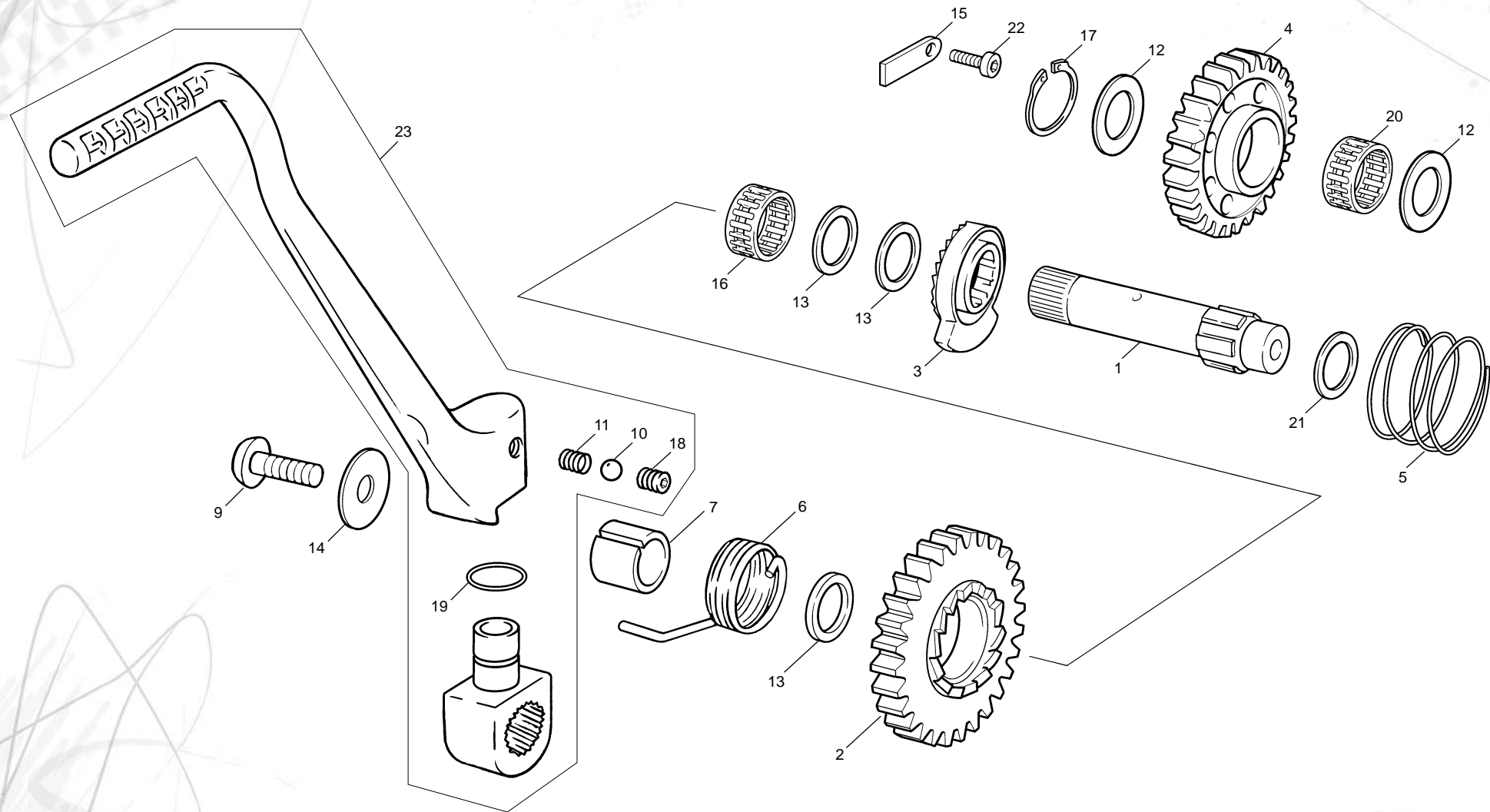
* - NOUVELLE PIECE / NEW PART / PIEZA NUEVA



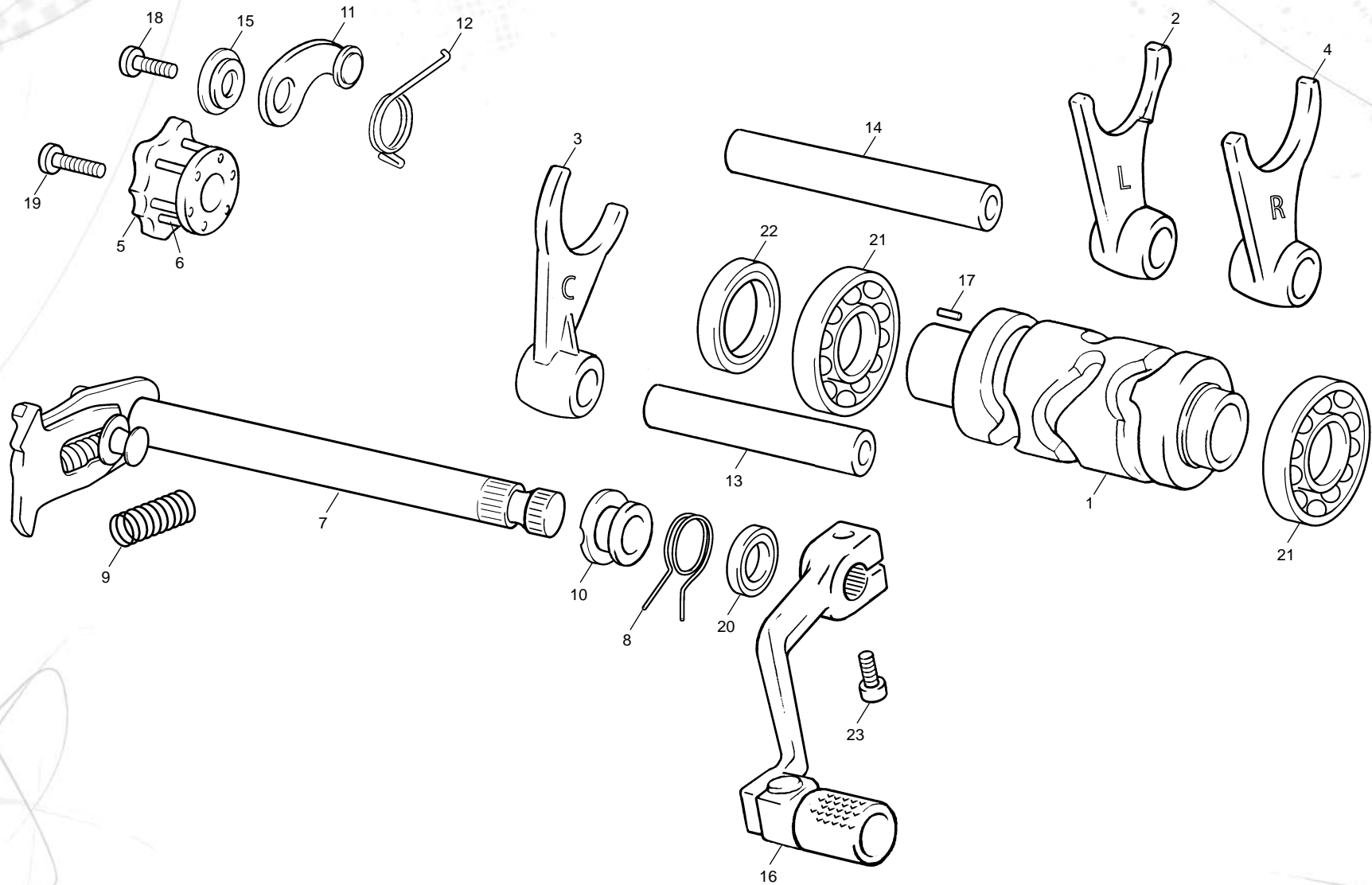
POS.	3.0	FRANÇAIS	ENGLISH	ESPAÑOL
33	5672	ADHESIF PROT RESERVOIR KIT SCORPA TWENTY	PROTECTOR TANK STICKER KIT SCORPA TWENTY	ADHESIVO PROTECC. DEPOSITO KIT SCORPA TWENTY
34	5505	AXE FILTRE SCORPA	AXLE FILTER SCORPA	EJE FILTRO SCORPA
35	5507	BAVETTE INTERIEUR FILTRE SCORPA	INSIDE FILTER COVER SCORPA	PROTECTOR INTERIOR FILTRO SCORPA
36	5703	GOME ETANCHEITE FILTRE SCORPA 4X	SEALING RUBBER FILTER BOX SCORPA 4X	GOMA ESTANQUEIDAD FILTRO SCORPA 4X
37	5578	MOUSSE DE FILTRE SR280 2015	FOAM SR280 2015	ESPUMA FILTRO SR280 2015
38	5486	RESERVOIR TRIAL SCORPA	PETROL TANK TRIAL SCORPA	DEPOSITO TRIAL SCORPA
39	3202	FIXATION INTERRUPTOR LUMIERE	STRAP FIX INT	LAPA FIJACION INTERRUPTOR
40	5645	RIVET 4 X 14 LARGE NOIR	RIVET 4 X 14 LARGE BLACK	REMACHE 4 X 14 ALA ANCHA NEGRO
41	5580	SUPPORT BOITIER FILTRE SR280 2015	AIR BOX HOLDER SR 280 2015	SOPORTE CAJA FILTRO SR280 2015
42	5641	CHAPE DE FIXATION CAUCHOU 1MM SCORPA 2015	FIXING PLATE RUBBER 1MM BOX SCORPA 2015	CHAPA SUJECCIÓN GOMA 1MM CAJA DE FILTRO SC. '15
43	5501	SUPPORT FILTRE SCORPA	SUPPORT AIR FILTER BOX SCORPA	SOPORTE FILTRO SCORPA
44	5504	GRILLE MOUSE FILTRE SCORPA	SUPPORT FOAM FILTER SCORPA	REJILLA ESPUMA FILTRO
45	5582	VIS FHC M5X15	SCREW FHC M5X15	TORNILLO FHC M5X15
46	5635	VIS 3,15X12	SCREW 3,15X12	TORNILLO 3,15X12
47	M345	VIS BHC 6 X 12 CAROSSERIE	SCREW BHC 6 X 12 BODY	TORNILLO BHC 6 X 12 CAROSSERIA



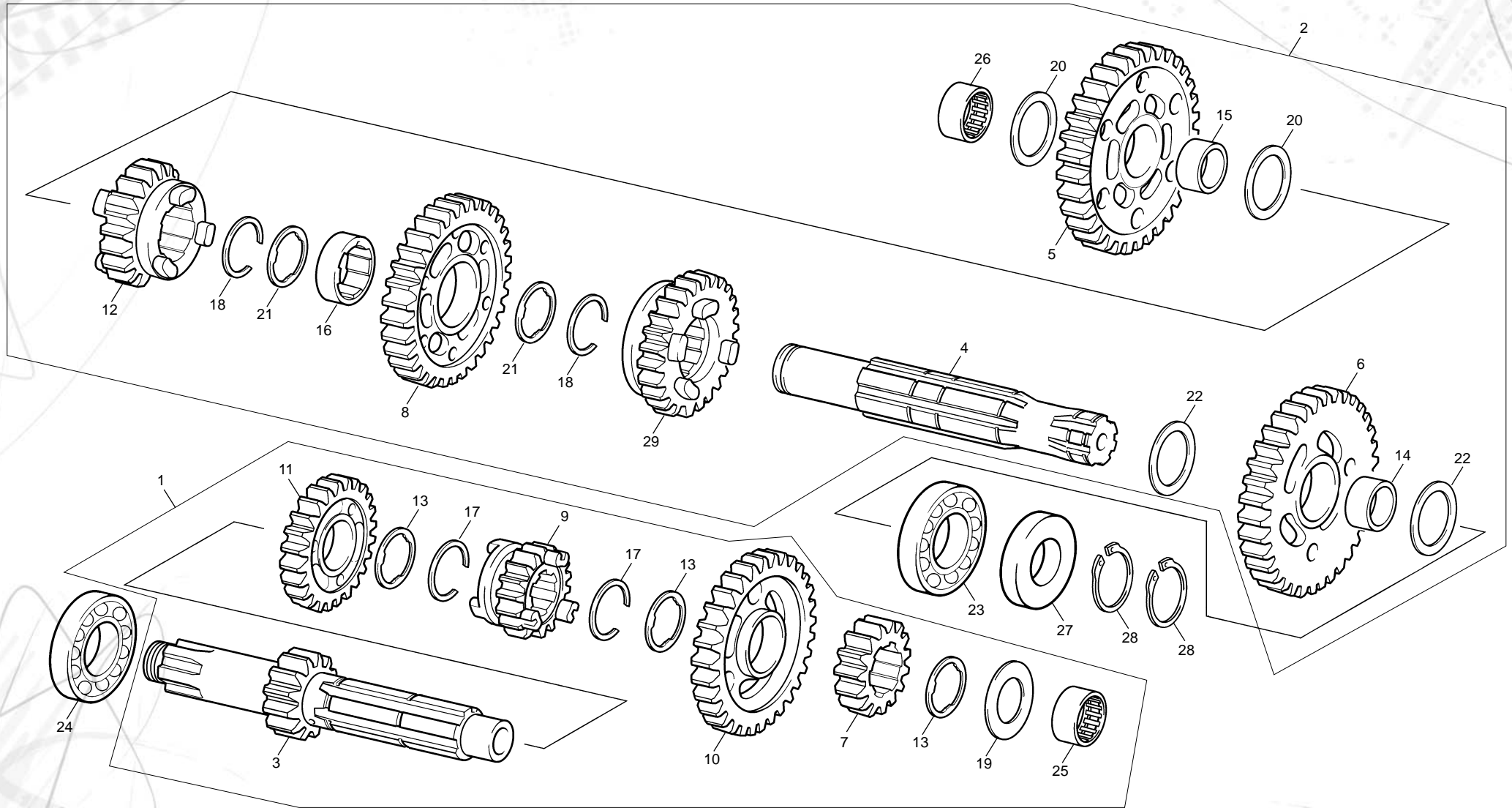
POS.	3.0	FRANÇAIS	ENGLISH	ESPAÑOL
1	6068	ADHESIF TWENTY TRI 5 (KIT) FACTORY	STICKERS TWENTY TRI 5 (KIT) FACTORY	ADHESIVO TWENTY TRI 5 (KIT) FACTORY
2	6139	ADHESIF COURONE JEU SCORPA FACTORY	STICKERS SPROKET SET SCORPA FACTORY	ADHESIVO CORONA JUEGO SCORPA FACTORY



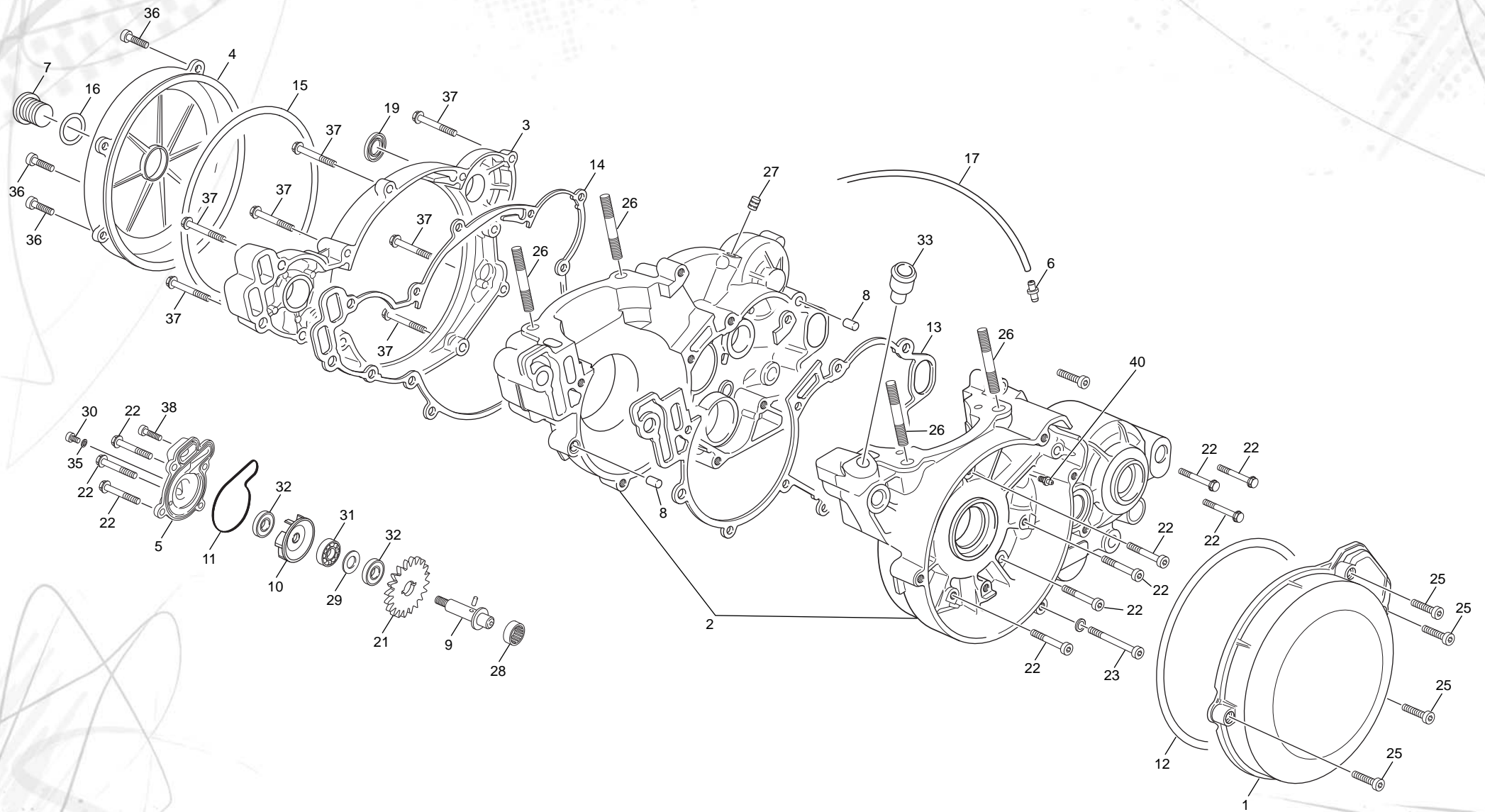
POS.	3.0	FRANÇAIS	ENGLISH	ESPAÑOL
1	M150	ARBRE LANCEUR	KICKSTART AXLE	EJE ARRANQUE
2	M151	PIGNON LIBRE DENT DE LOUP	KICKSTART PINION	PINON TRINQUETE
3	M152	COULISSEAU DENT DE LOUP	FREE RATCHET KICKSTART	TRINQUETE DESPLAZABLE
4	M153	ROUE INTERMEDIAIRE	IDLE GEAR KICKSTART	RUEDA INTERMEDIA
5	M155	RESSORT COULISSEAU D DE L	COMPRESSION SPRING	MUELLE TRINQUETE
6	4201	RESSORT DE RAPPEL KICK SC	KICK STARTING SPRING SC	MUELLE DE RETORNO SC
7	M157	DOUILLE CENTRAGE RESSORT	SPACER SPRING KICK START	CASQUILLO CENTRAJE MUELLE
8	3215	NOIX DE KICK WI	KICKSTART BOTTOM WI	MUNEQUILLA PEDAL ARRANQUE WI
9	M280	VIS BHC 8 X 16 I093	SCREW BHC 8 X 16	TORNILLO 8 X 16 ULS
10	M160	BILLE 5.5	5.5 BALL	BOLA 5.5
11	M161	RESSORT DE POUSSEE BILLE	BALL SPRING	MUELLE PULSADOR BOLA
12	M163	RONDELLE INA AS 17X30X1	WASHER INA AS 17X30X1	ARANDELA INA AS 17X30X1
13	M164	RONDELLE ARBRE 17X25X1	WASHER 17X25X1	ARANDELA EJE ARRANQUE 17X25X1
14	M319	RONDELLE 8 X 18 X 1.5 CONIQUE	WHASHER 8 X 18 X 1.5	ARANDELA DE PLATILLO 8 X 18 X 1.5
15	M166	BUTEE COULISSEAU D DE L (VOIR 4157)	TOP RATCHET (SEE 4157)	TOPE TRINQUETE DESPLAZABLE (VER 4157)
16	M167	CAGE AIGUILLE PIGNON DENT LOUP K17X21X10	NEEDLE BEARING K17X21X10	JAULA AGUJAS PINON TRINQUETE K17X21X10
17	M171	SEGMENT ARRET DIAN I7	RETAINING RING I7	SIGER DIAMETRO I7
18	M169	VIS SANS TETE DU KICK	SCREW NO HEAD KICK LEVER	TORNILLO ALEN SIN CABEZA PEDAL ARRANQUE
19	M168	TORIQUE 14 X18X2	O RING 14X18X2	TORICA 14X18X2
20	M077	DOUILLE AIGUILLE HK1712B	NEEDLE BEARING 17X23X12	CASQUILLO DE AGUJAS 17X23X12
21	M165	RONDELLE ARBRE 16X25X1	WASHER 16X25X1	ARANDELA EJE ARRANQUE 16X25X1
22	M251	VIS CHC 6 X 16 0084	SCREW CHC 6 X 16	TORNILLO 6 X 16 DIN 912
23	4539	KICK COMPLET WI LARGE	KICK START WI LONG	PEDAL ARRANQUE WI LARGO



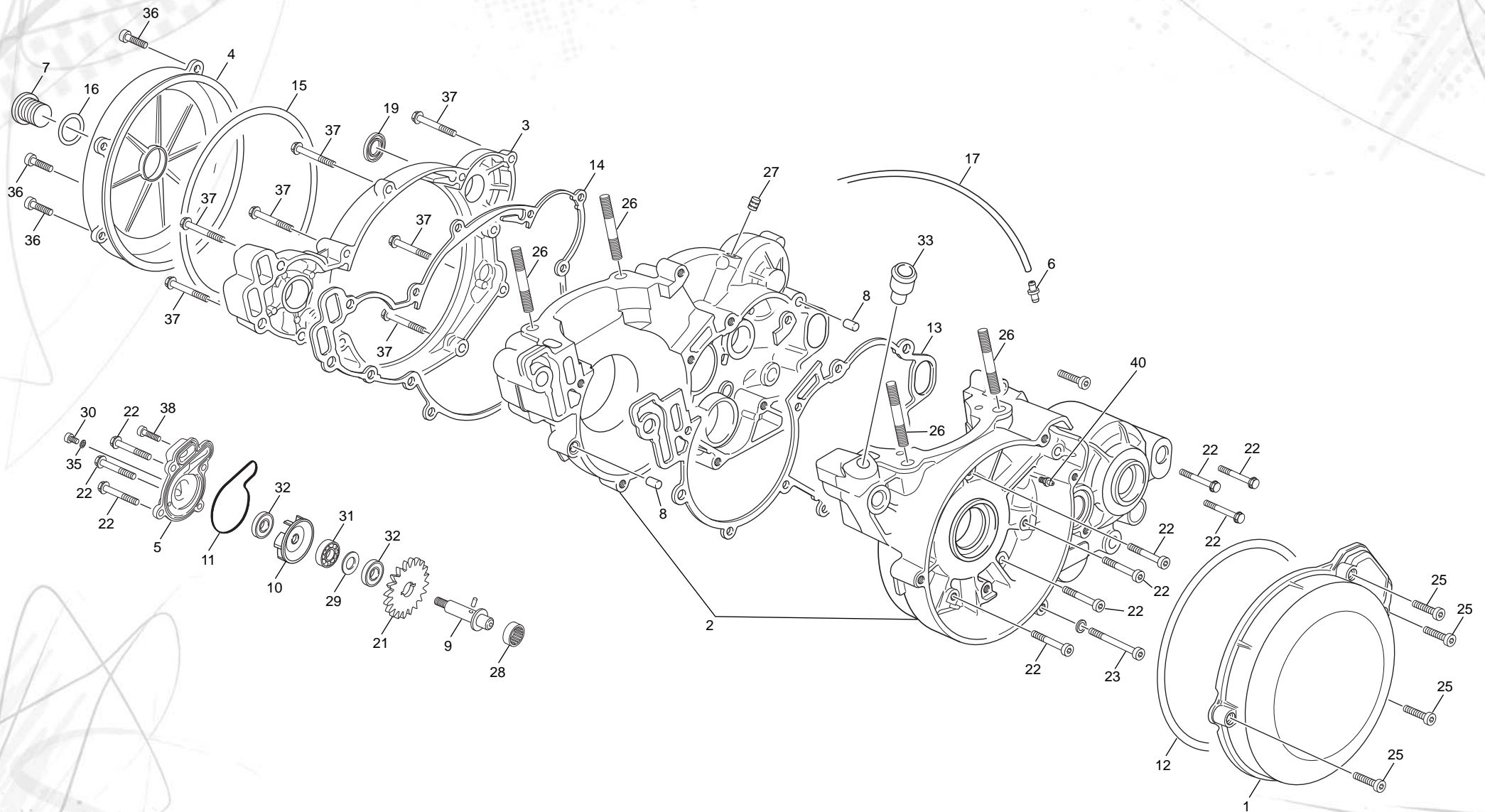
POS.	3.0	FRANÇAIS	ENGLISH	ESPAÑOL
1	M100	TAMBOUR DE SELECTION	SELECTOR DRUM	DESMODROMICO SELECTOR
2	M102	FOURCHETTE L	L FORK	HORQUILLA L
3	M103	FOURCHETTE C	C FORK	HORQUILLA C
4	M104	FOURCHETTE R	R FORK	HORQUILLA R
5	M105	ETOILE DE SELECTION CPL	INDEX SHIM	ESTRELLA SELECTOR
6	M106	PION ETOILE INA NRA 3X17.8	NEEDLE PIN NRA3X17.8	AGUJA DE LA ESTRELLA INA NRA3X17.8
7	M107	ARBRE DE SELECTEUR CPL	SHIFT SHAFT WITH PAWL ASSY	ARBOL SELECTOR
8	M110	RESSORT RAPPEL SELECTION	SPRING SHIFT LEVER	MUELLE RETORNO SELECTOR
9	M111	RESSORT RAPPEL COULISSEAU	SPRING COULISSEAU	MUELLE RETORNO ESCORPION
10	M113	DOUILLE CENTRAGE RESSORT RAPPEL	SPACER SPRING SHIFT LEVER	CASQUILLO CENTRAJE MUELLE RETORNO
11	M114	LEVIER DE VERROUILLAGE CPL	INDEX LEVER ASSY	PALANCA DE CIERRE SELECTOR
12	M117	RESSORT DE RAPPEL LEVIER VERROUIL	INDEX SPRING	MUELLE RETORNO PALANCA DE CIERRE
13	M118	AXE DE FOURCHETTE COURT	FORK SPINDLE	EJE DE HORQUILLA CORTO
14	M119	AXE DE FOURCHETTE LONG	FORK SPINDLE LONG	EJE DE HORQUILLA LARGO
15	M121	DOUILLE LEVIER VERROUILLAGE	SPACER INDEX LEVER	CASQUILLO PALANCA CIERRE
16	4538	SELECTEUR EXTERIEUR NOIRE	SHIFT LEVER ASSY BLACK	PALANCA DE CAMBIO NEGRA
17	M122	PION CLAVETAGE ETOILE NRA3X11.8	NEEDLE PIN NRA3X11.8	AGUJA POSICIONADO ESTRELLA NR3X11.8
18	M251	VIS CHC 6 X 16 0084	SCREW CHC 6 X 16	TORNILLO 6 X 16 DIN 912
19	M253	VIS CHC 6 X 30 0084	SCREW CHC 6 X 30	TORNILLO 6 X 30 DIN 912
20	M126	JOINT LEVRE 12 X 19 X 5 DL	OIL SEAL 12X19X5	RETEN 12X19X5 DL
21	M123	ROULEMENT 25X37X7 R61805	BEARING 25X37X7 R61805	COJINETE 25X37X7 R61805
22	M124	JOINT A LEVRE G28X37X4	OIL SEAL G28X37X4	RETEN G28X37X4
23	M252	VIS CHC 6 X 20 0084	SCREW CHC 6 X 20	TORNILLO 6 X 20 DIN 912



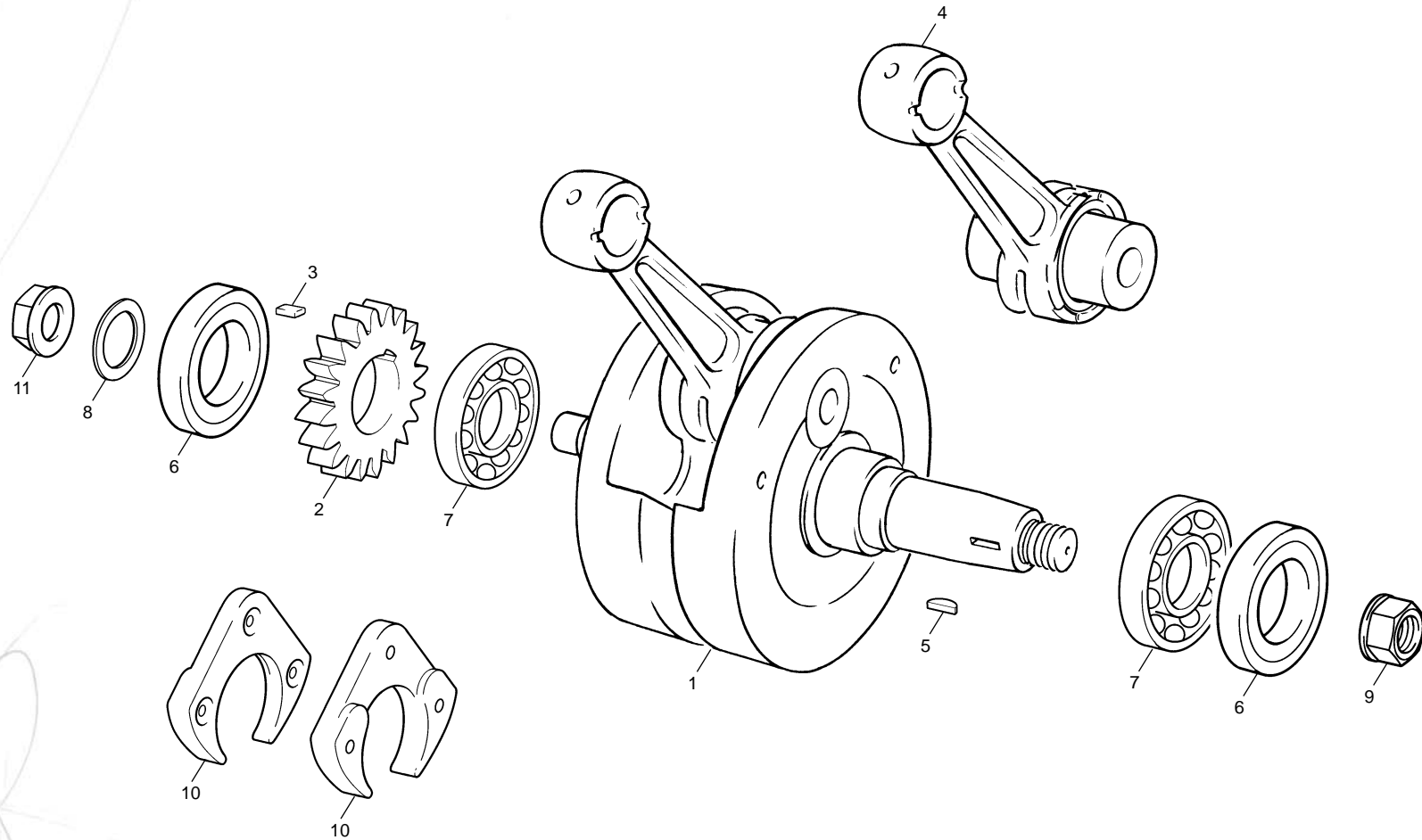
POS.	3.0	FRANÇAIS	ENGLISH	ESPAÑOL
1	M390	ENSEMBLE ARBRE PRIMAIRE 03	GROUP FIRST SHAFT WITH PINION 03	CJTO EJE PRIM CAMBIO 03
2	M391	ENSEMBLE ARBRE SECONDAIRE 03	GROUP SECOND SHAFT WITH PINION 03	ENSEMBLE ARBRE SECONDAIRE 03
3	M374	ARBRE PRIMAIRE / PIGNON 1ERE EVOL 2	GEAR CLUTCH SHAFT EVOL 2	EJE PRIMARIO EVOL 2
4	M054	ARBRE SECONDAIRE	MAINSHAFT	EJE SECUNDARIO
5	M367	PIGNON SECONDAIRE 1ERE EVOL 2	PINION SECOND 1ERE EVOL 2	PINION SECOND 1ERE EVOL 2
6	M056	ROUE LIBRE DE 2EME	FREE PINION 2 EME	CORONA DE 2A
7	M057	PIGNON FIXE DE 2 EME	GEAR PINION 2EME	PINON DE 2A
8	M058	ROUE LIBRE DE 3 EME	FREE PINION 3 EME	CORONA DE 3A
9	M059	PIGNON BALADEUR DE 3EME	GEAR PINION 3 EME	PINON DESPLAZABLE 3A
10	M061	ROUE LIBRE DE 5 EME	GEAR PINION 5 EME	CORONA DE 5A
11	M062	PIGNON LIBRE DE 4 EME	FREE PINION 4 EME	PINON DE 4A
12	M063	ROUE BALADEUSE DE 4 EME	FREE PINION 4 EME	CORONA DESPLAZABLE DE 4A
13	M064	RONDELLE CRENEAUX 20X24X1	GEAR WASHER 20X24X1	ARANDELA ESTRIADA 20X24X1
14	M065	DOUILLE ANTI FRICTION 1ERE	BUSH 1ERE	CASQUILLO ANTI-FRICCION 1A
15	M066	DOUILLE ANTI FRICTION 2EME	BUSH 2 EME	CASQUILLO ANTI-FRICCION 2A
16	M067	DOUILLE ANTI FRICTION 3EME	BUSH 3 EME	CASQUILLO ANTI-FRICCION 3A
17	M068	SEGMENT ARRET SW 20	RETAINING SW 20	SEEGER SW 20
18	M069	SEGMENT ARRET SW 22	RETAINING SW 22	SIGER SW 22
19	M070	RONDELLE INA ARBRE PRIMAIRE 15X28X1	THRUST WASHER 15X28X1	ARANDELLA INA EJE PRIMARIO 15X28X1
20	M071	RONDELLE ARBRE SECONDAIRE 17X27X1	MAINSHAFT WASHER 17X27X1	ARANDELLA EJE SECUNDARIO 17X27X1
21	M072	RONDELLE CRENEAU ARBRE SECONDAIRE 22X28X1	WASHER 22X28X1	ARANDELLA ESTRIADA EJE SECUNDARIO 22X28X1
22	M073	RONDELLE ARBRE SECONDAIRE 20X27X1	MAINSHAFT WASHER 20X27X1	ARANDELA EJE SECUNDARIO 20X27X1
23	M074	ROULEMENT 20X47X14	BEARING 20X47X14	COJINETE 20X47X14
24	M075	ROULEMENT 20X47X14 2RSH	BEARING 20X47X14 2RSH	COJINETE 20X47X14 2RSH
25	M076	DOUILLE AIGUILLE 15X21X12	NEEDLE BEARING 15X21X12	CASQUILLO DE AGUJAS 15X21X12
26	M077	DOUILLE AIGUILLE HK1712B	NEEDLE BEARING 17X23X12	CASQUILLO DE AGUJAS 17X23X12
27	M078	JOINT DOUBLE LEVRE 20X30X7	OIL SEAL 20X30X7	RETEN DOBLE LABIO 20X30X7
28	M350	SEGMENT ARRET WR 20 SORTIE BOITE	SEGMENT ARRET WR 20	SEGMENT ARRET WR 20
29	M060	PIGNON BALADEUR DE 5 EME	FREE PINION 5 EME	PINON LIBRE 5A

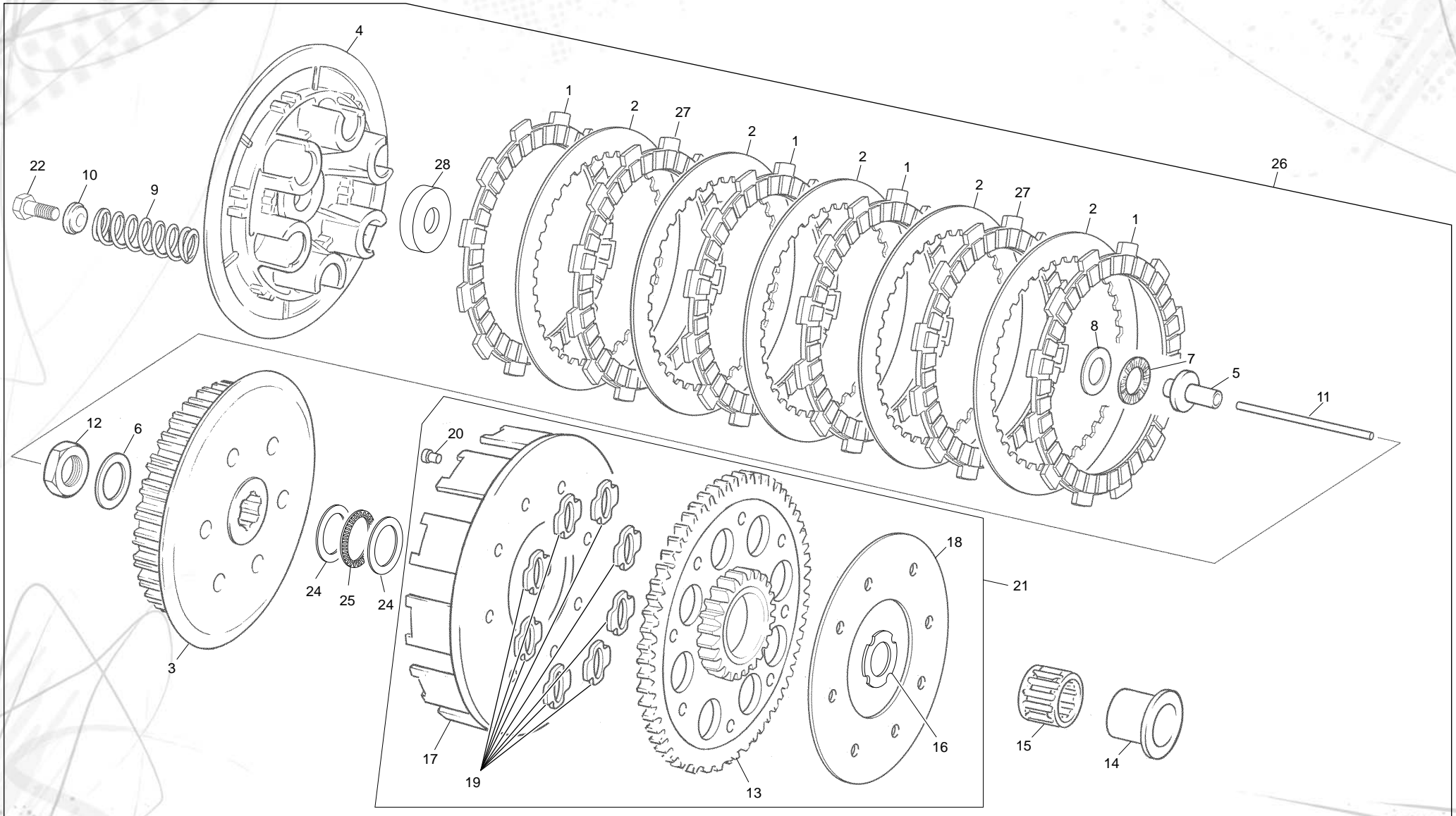


POS.	3.0	FRANÇAIS	ENGLISH	ESPAÑOL
1	5464	CARTER ALLUMAGE TR SCORPA	IGNITION COVER TR SCORPA	TAPA ENCENDIDO TR SCORPA
2	3129	CARTERS CENTRAUX 125 TR 09 NOIR	CRANCKCASES SET 125 TR 09	CARTERS CENTRALES 125 TR 09 NEGRO
3	3130	CARTER LATERAL DROITE TR 11	BOTTOM CLUTCH COVER TR 11	CARTER LATERAL DERECHO TR 11
4	5468	COUVERCLE EMBRAYAGE TR SCORPA 2015	CLUTCH COVER TR SCORPA 2015	TAPETA EMBRAGUE TR SCORPA 2015
5	4540	COUVERCLE POMPE EAU NOIRE TR	WATER PUMP COVER BLACK TR	TAPA BOMBA AGUA NEGRA TR
6	M016	RENIFLAR CARTER CENTRAL	AIR VENT CRANCKCASES	DEPRESOR CARTERS
7	4544	BOUCHON REMPLISSAGE HUILE NOIR	CARTER FILTER TAP BLACK	TAPON LLENADO ACEITE CARTER NEGRO
8	M022	DOUILLE CENTRAGE CARTER	DOUILLE CENTRAGE CARTER	CASQUILLO CENTRADOR CARTER
9	M363	AXE POMPE EAU EVOLUTION 3	WATER PUMP AXELE EVOLUTION 3	EJE BOMBA AGUA EVOLUTION 3
10	M351	TURBINE POMPE EAU EVOLUTION2	WATERPUMP TURBINE EVOLUTION2	TURBINA BOMBA AGUA EVOLUTION2
11	3133	JOINT TORIQUE COUVERCLE POMPE 37X2	O-RING WATER PUMP COVER 37X2	JUNTA TORICA TAPA BOMBA AGUA 37X2
12	3158	JOINT TORIQUE COUVERCLE ALLUMAGE 144X2	O-RING IGNITION COVER 144X2	JUNTA TORICA TAPA ENCENDIDO 144X2
13	3134	JOINT CARTER CENTRAL 125/200CC	CENTRAL CRANCKCASE GASKET 125/200CC	JUNTA CARTER CENTRAL 125/200CC
14	3135	JOINT CARTER LATERAL TR 11	CLUTCH GASKET TR 11	JUNTA CARTER LATERAL TR 11
15	3141	JOINT TORIQUE 156 X2	O-RING 155X2	JUNTA TORICA 155X2
16	M162	TORIQUE 10X2.5 BOUCHON HUILE	O-RING 10X2.5 OIL PLUG	TORICA 10X2.5 TAPON ACEITE
17	M017	DURITE RENIFLARD 3X5	TUBE AIR VENT CRANCKCASES 3X5	TUBO DEPRESOR 3X5
19	3128	JOINT DOUBLE LEVRES 17X24X5	OIL SEAL 17X24X5	RETEN DOBLE LABIO 17X24X5
21	M364	PIGNON POMPE EAU NYLON	PINIO WATER PUMP NYLON	PIGNON BOMBA AGUA NYLON
22	0549	VIS TH EP 6 X 45	SREW TH EP 6 X 45	TORNILLO TH EP 6 X 45
23	3235	VIS TH EP 6 X 50	SCREW TH EP M6 X50	TORNILLO TH EP M6 X50
25	3269	VIS CHC 5 X 20 0084	SCREW CHC 5 X 20	TORNILLO 5 X 20 ALLEN
26	M291	GOIJON DE CYLINDRE 8 X 46	STUD CYLINDRE 8 X 46	ESPARRAGO CILINDRO 8 X 46
27	2386	BOUCHON CANALISATION HUILE 6X8	LUBRICATION CAP 6X8	TAPA CANALIZACION 6X8
28	M029	ROULEMENT AIGUILLE POMPE EAU HK0808	WATER PUMP NEEDLE BEARING HK 0808	COJINETE AGUJAS BOMBA AGUA HK 0808
29	M030	RONDELLE BUTEE POMPE A EAU 8X16X1	WATERPUMP BUSH 8X16X1	ARANDELA BOMBA AGUA 8X16X1
30	M288	VIS CHC 5X6 1093	SCREW CHC 5X6	TORNILLO CHC 5X6
31	M027	ROULEMENT BILLE POMPE EAU 608.2RSH	WATER PUMP BEARING 608.2RSH	COJINETE BOMBA AGUA 608.2RSH
32	M031	JOINT POMPE A EAU 8X20X5DL	WATER PUMP SEAL 8X20X5DL	RETEN BOMBA AGUA 8X20X5DL
33	3143	RACCORD DURITE CARTER RADIATEUR 11	WATER CONEXION 11	CONECTOR TUBO AGUA CARTER A RADIADOR 11
35	M277	RONDELLE ALU M5 0463 5X10	GASKET RING X5	ARANDELA ALUMINIO X5
36	0550	VIS TH EP 6 X 55	SREW TH EP 6 X 55	TORNILLO TH EP 6 X 55

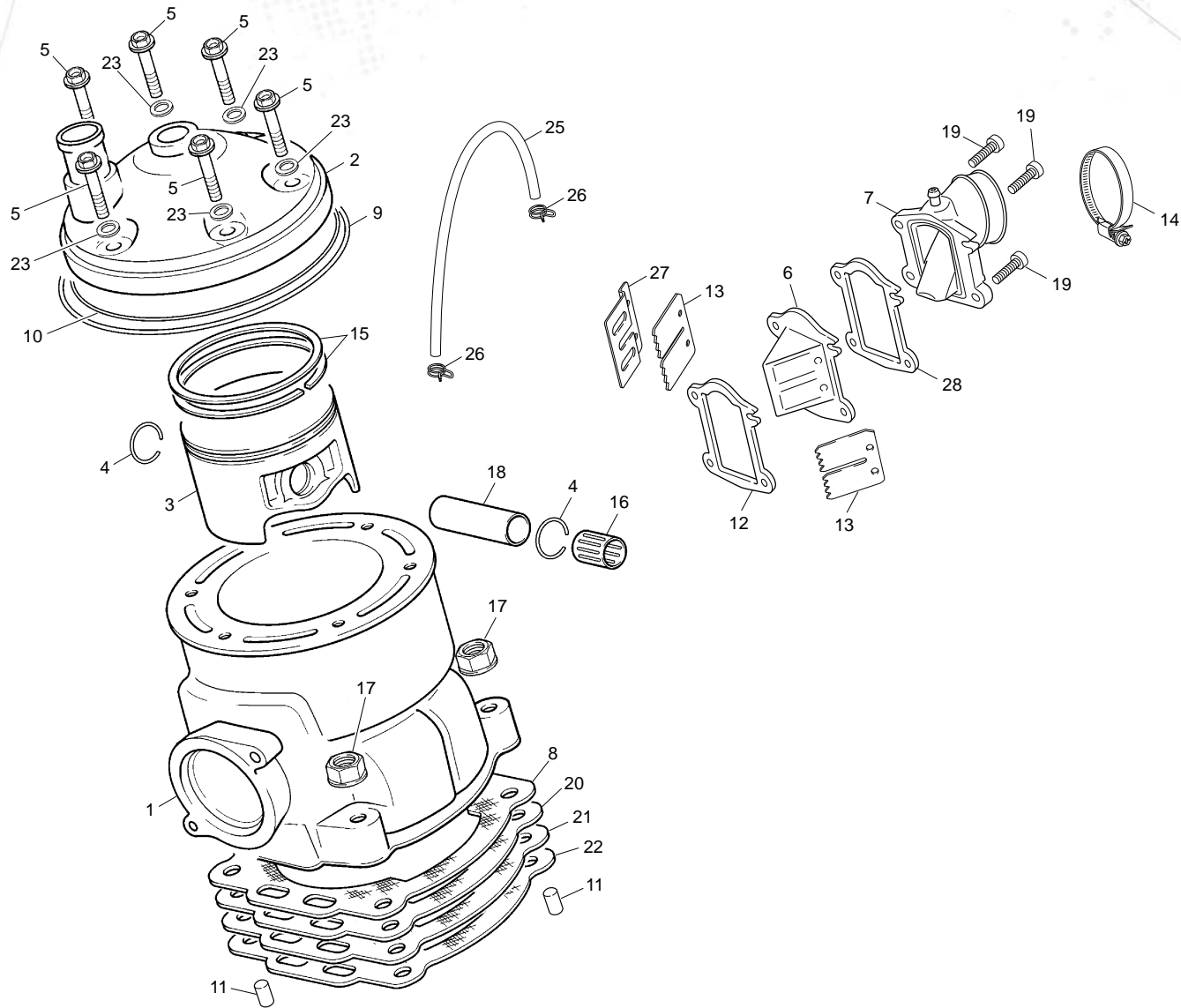


POS.	3.0	FRANÇAIS	ENGLISH	ESPAÑOL
37	0970	VIS TH EP 6 X 25	SCREW TH EP M6 X 25	TORNILLO TH EP M6 X 25
38	0546	VIS TH EP 6 X 20	SREW TH EP 6 X 20	TORNILLO TH EP 6 X 20
39	----	RIVET CARTER CENTRAL CIRCUIT HUILE	CRANKCASE RIVET	REMACHE CARTER CENTRAL
40	5670	BOUCHON CARTER SCORPA TWENTY	CAP CARTER SCORPA TWENTY	TAPON CARTER SCORPA TWENTY



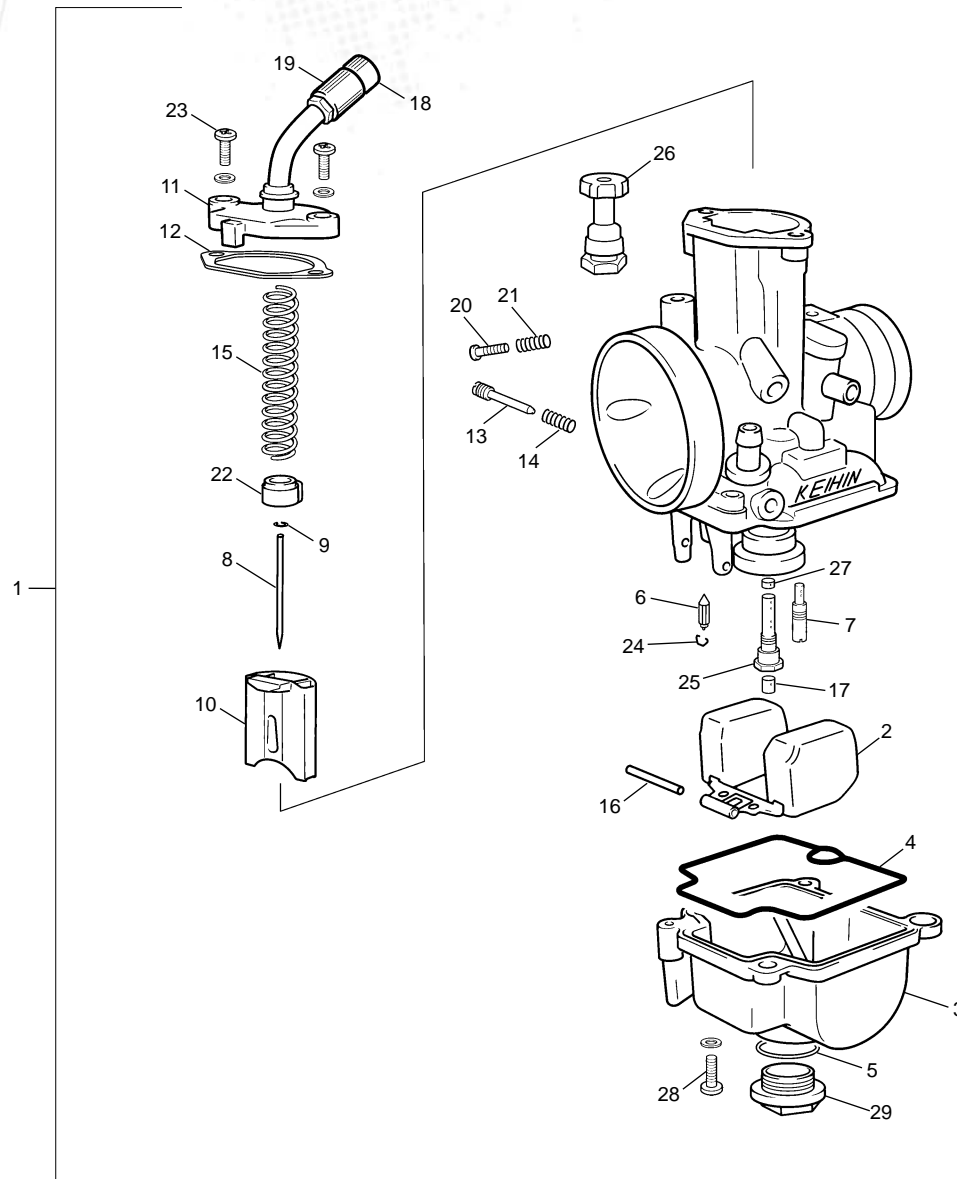


POS.	3.0	FRANÇAIS	ENGLISH	ESPAÑOL
1	M080	DISQUE GARNI	FRICTION CLUTCH DISK	DISCO EMBRAGUE FORRADO
2	M081	DISQUE LISSE	METAL CLUTCH DISK	DISCO EMBRAGUE METALICO
3	4100	NOYAU POUR ROULEMENT	CLUTCH HUB FOR BEARING	CUBO EMBRAGUE PARA RODAMIENTO
4	M04	PLATEAU	CLUTCH SPRING HOLDER	PLATO EMBRAGUE
5	M085	POUSSOIR AXIAL	CLUTCH PULLER	PULSADOR AXIAL
6	M087	RONDELLE BELLEVILLE 16.3X31.5X2	FIXING BUSH 16.3X31.5X1.5	ARANDELLA FIJACION 16.3X31.5X1.5
7	M090	BUTEE AIGUILLE EMBAXK1226A	CLUTCH BEARING	CORONA AXIAL AGUJAS AXK1226A
8	M091	RONDELLE BUTEE ASI2 .26.1	WASHER AS 12.26.1	ARANDELA AS 12.26.1
9	M092	RESSORT EMB	CLUTCH SPRING	MUELLE EMBRAGUE
10	M093	RONDELLE EMB	CLUTCH WASHER FOR SPRING	ARANDELA EMBRAGUE EMBOUTIDA
11	M086	TIGE DE POUSSEE	CLUTCH SPINDLE	VARILLA EMBRAGUE
12	M293	ECROU NOYAU EMB M16X125	HEX NUT CLUTCH M16X125	TUERCA CUBO EMBRAGUE M16 X125
13	M201	ROUE PRIMAIRE	WEEL PRIMARY DRIVE	RUEDA PRIMARIA
14	M203	DOUILLE ROUE PRIMAIRE	SPACER PRIMARY DRIVE	CASQUILLO RUEDA PRIMARIA
15	M205	CAGE A AIGUILLE 25X33X24	NEEDLE BEARING 25X33X24	JAULA AGUJAS 25X33X24
16	4259	RONDELLE CANELE 20.2 X 32 X 1	WASHER SPECIAL 20.2 X 32 X 1	ARANDELA ACANALADA 20.2 X 32 X 1
17	4099	ROUE TRANS PRIMAIRE ASSEMBLE POUR ROULEMENT	PRIMARY DRIVE CLUTCH FOR BEARING	CTO. RUEDA TRANS. PRIMARIA PARA RODAMIENTO
18	M359	PLATEAU METAL TP	STEEL DISK CLUTCH	DISCO ACERO EMBRAGUE
19	M358	SILENBLOC EMBRAYAGE	CLUTCH SILENBLOC	SILENBLOC EMBRAGUE
20	M270	RIVET 4 X 16	RIVET 4 X 16	REMACHE 4 X 16
21	M360	ROUE TRANS PRIMAIRE ASSEMBLE 2001	PRIMARY DRIVE CLUTCH 2001	CTO RUEDA DE TRANSMISION PRIMARIA 2001
22	M094	VIS EMB	SCREW CLUTCH SPRING	TORNILLOS MUELLE EMBRAGUE
24	4257	RONDELLE INA AS 35.3 X 56.7 X 1 UNIDAD	WASHER INA AS 35.3 X 56.7 X 1 UNITARY	ARANDELA INA AS 35.3 X 56.7 X 1 UNITAIRE
25	4258	ROULEMENT AIGUILLE AXIAL AXK 3552	CON ROD NEEDLE AXIAL AXK 3552	COJINETE AGUJAS AXIAL AXK 3552
26	4926	GROUPE EMBRAYAGE SURFLEX R	CLUTCH SET SURFLEX R	GRUPO EMBRAGUE SURFLEX R
27	4046	DISQUE GARNI TRIAL FCC R ESPECIAL	FRICTION CLUTCH DISK TRIAL FCC R SPECIAL	DISCO EMBRAGUE FORRADO TRIAL FCC R ESPECIAL
28	4927*	ENTRETOISE GUIDE EMBRAYAGE SURFLEX R	BUSH CLUCH GUIDE SURFLEX R	CASQUILLO GUIA EMBRAGUE SURFLEX R

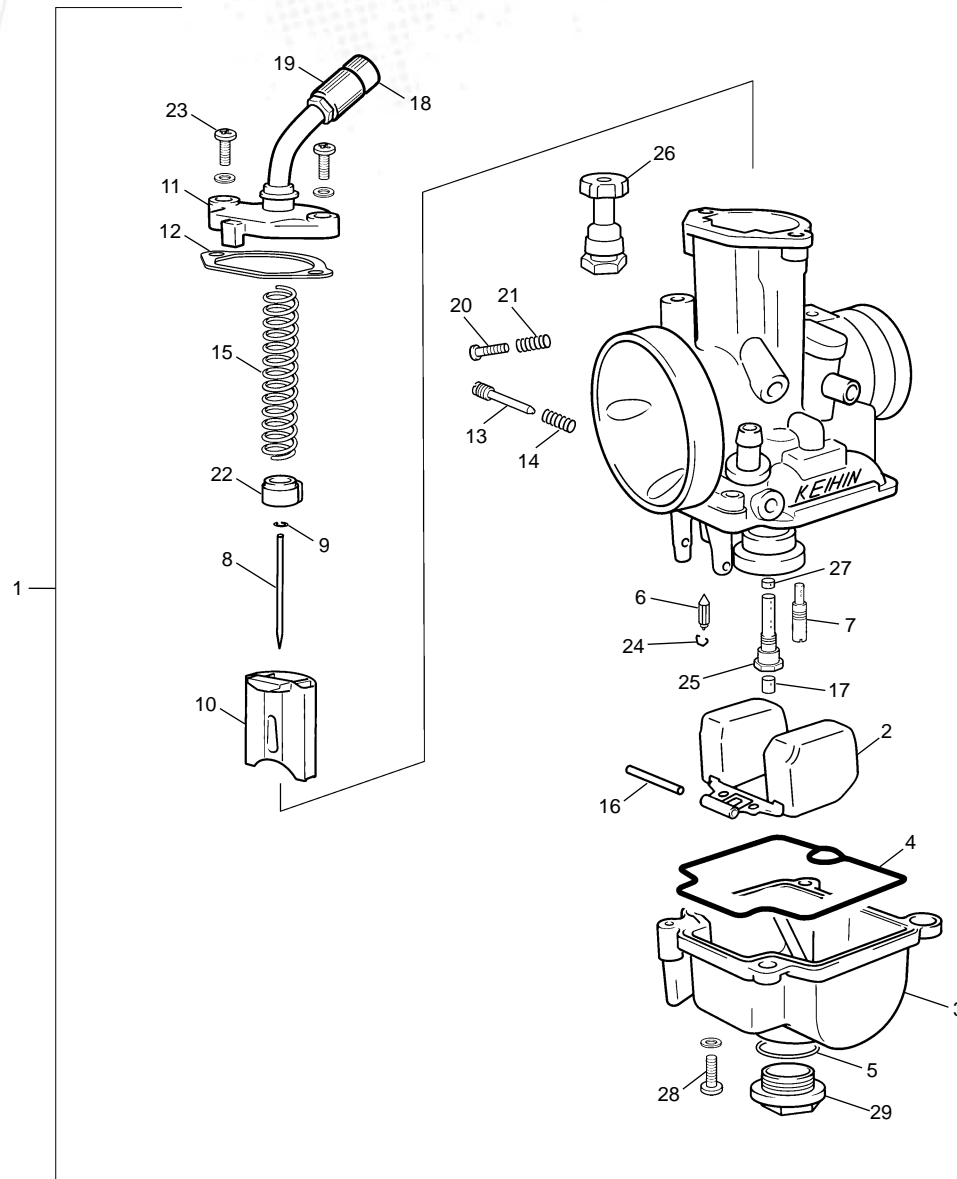


POS.	3.0	FRANÇAIS	ENGLISH	ESPAÑOL
1	5465	CYLINDRE 125 14 TR CL	CILYNDER 125 14 TR LS	CILINDRO 125 14 TR CL
2	6058*	CULASSE 3.0 TR TITANIUM TWENTY 2015	CYLINDER HEAD 3.0 TR TITANIUM TWENTY 2015	CULATA 3.0 TR TITANIO TWENTY 2015
3	3339	PISTON CPL 305 TR 2011 /78.96 B	PISTON CPL 305 TR 2011 /78.96 B	PISTON COMP 305 TR 2011 /78.96 B
3	3218	PISTON CPL 125CC "A" CL	PISTON 125CC "A" LS	PISTON 125CC "A" CL
4	M013	CIRCLIP PISTON 125/200	PISTON CIRCLIP 125/200	SERCLIP PISTON 125/200
5	0547	VIS TH EP 6 X 30	SCREW TH EP 6 X 30	TORNILLO TH EP 6 X 30
6	3125	BOITE A CLAPETS VERTICAL 2011	REEDS CASE VERTICAL 2011	CAJA DE LAMINAS VERTICAL 2011
7	4997	PIPE ADMISSION 2014 CARB 28	ADMISSION PIPE 2014 CARB 28	TOBERA ADMISION 2014 CARB 28
8	3025	JOINT EMBASE SILICONE CYLINDRE 0.5 125CC LC	CILYNDER GASKET SILICON 0.5 125CC LS	JUNTA CILINDRO SILICONA 0.5 125CC CL
9	M038	JOINT TORIQUE CULASSE 105 X 109 X 2 VITON	CILYNDER HEAD O-RING 105 X 109 X 2 VITON	JUNTA TORICA CULATA 105 X 109 X 2 VITON
10	M039	JOINT TORIQUE CULASSE 80 X 84 X 2 VITON	CILYNDER HEAD O-RING 80 X 84 X 2 VITON	JUNTA TORICA CULATA 80 X 84 X 2 VITON
11	0200	AIGUILLES 4X9.8 NRB	NEEDL 4X9.8 NRB	AGUJA 4X9.8 NRB
12	3136	JOINT BOITE CLAPET TR 11	REEDS CASE GASKET TR 11	JUNTA CAJA LAMINAS TR 11
13	R022	CLAPET RECHANGE UNITEE	REED VALVE SET	LAMINAS RECAMBIO UNIT
14	3287	COLLIER MIKALOR 44	COLLARD MIKALOR 44	ABRAZADERA MIKALOR 44
15	3219	JEUX SEGMENTS 125CC CL	SET RINGS 125CC CL	JUEGO AROS 125CC CL
16	M248	CAGE AIGUILLE PISTON 125 KBK 16X20X20	NEEDLE BEARING KBK 125 16X20X20	JAULA AGUJAS PISTON 125 KBK 16X20X20
17	M272	ECROU EMBASE X8 0692	COLLAR HEX NUT M8	TUERCA CON VALONA M8
18	3336	AXE PISTON 305 TR 2011/79	PISTON PIN 305 TR 2011/79	BULON PISTON 305 TR 2011/79
19	3269	VIS CHC 5 X 20 0084	SCREW CHC 5 X 20	TORNILLO 5 X 20 ALLEN
20	3189	JOINT EMBASE CYLI 250/290/300 WI 0.2MM	CILYNDER GASKET 250/290/300 WI 0.2MM	JUNTA CILINDRO 250/290/300 WI 0.2MM
21	3190	JOINT EMBASE CYLI 250/290/300 WI 0.3MM	CILYNDER GASKET 250/290/300 WI 0.3MM	JUNTA CILINDRO 250/290/300 WI 0.3MM
22	3191	JOINT EMBASE CYLI 250/290/300 WI 0.4MM	CILYNDER GASKET 250/290/300 WI 0.4MM	JUNTA CILINDRO 250/290/300 WI 0.4MM
23	M040	JOINT TORIQUE CYLINDRE 5,60 X 9,20 X 1,80	CILYNDER O-RING BOLT 5,60 X 9,20 X 1,80	JUNTA TORICA CILINDRO 5,60 X 9,20 X 1,80
25	4907	DURITE IMPULSION POMPE	RUBBER IMPULSION PUMP	MANGUITO PULSACION BOMBA
26	2846	COLLIER DURITE ESSENCE	COLLARD PETROL PIPE	ABRAZADERA TUBO GASOLINA
27	3394	RAYON L MINI 35.5X3.5 COTE COURONE NOIR	SPOCKE L MINI 35.5X3.5 SIDE TRANS BLACK	RADIO L MINI 35.5X3.5 LADO CORONA NEGRO
28	5045	JOINT BOITE CLAPET NBR 2MM	REEDS CASE GASKET NBR 2MM	JUNTA CAJA LAMINAS NBR 2MM

* -| NOUVELLE PIECE / NEW PART / PIEZA NUEVA



POS.	3.0	FRANÇAIS	ENGLISH	ESPAÑOL
1	1123	CARBUTATEUR KEIHIN TRIAL 2T	CARBURETOR KEIHIN TRIAL 2T	CARBURADOR KEIHIN TRIAL 2T
2	1330	FLOTEUR DE CARBU KEIHIN	CARBURATOR FLOTEUR KEIHIN	BOYA CARBU KEIHIN
3	1331	CUVE CARBURATEUR KEIHIN	CARBURATOR CUVE KEIHIN	CUBA CARBURADOR KEIHIN
4	1333	VIS FIXATION CUVE KEIHIN	SCREW FIXATION CUVE KEIHIN	TORNILLO CUBA CARBU KEIHIN
5	1334	JOINT TORIQUE CUVE	O-RING FLOAT	TORICA CUBETA
6	1335	POINTEAU CARBU KEIHIN	POINTEAU CARBU KEIHIN	VALVOLA AGUJA KEIHIN
7	1327	GICLEUR RALENTI 50 KEIHIN	PILOT JET 50 KEIHIN	CHICLE RALENTI 50 KEIHIN
7	1336	GICLEUR RALENTI 45 KEIHIN	PILOT JET 45 KEIHIN	CHICLE RALENTI 45KEIHIN
7	1337	GICLEUR RALENTI 52 KEIHIN	PILOT JET 52 KEIHIN	CHICLE RALENTI 52 KEIHIN
7	1338	GICLEUR RALENTI 55 KEIHIN	PILOT JET 55 KEIHIN	CHICLE RALENTI 55 KEIHIN
7	1339	GICLEUR RALENTI 48 KEIHIN	PILOT JET 48 KEIHIN	CHICLE RALENTI 48 KEIHIN
7	1403	GICLEUR RALENTI 42 KEIHIN	PILOT JET 42 KEIHIN	CHICLE RALENTI 42 KEIHIN
8	1340	AIGUILLE CARBU KEIHIN JFH	AIGUILLE CARBU JFH	AGUJA CARBU JFH
8	1341	AIGUILLE CARBU KEIHIN JJH	AIGUILLE CARBU JJH	AGUJA CARBU JJH
9	1342	CLIP AIGUILLE CARBU KEIHIN	CLIP AIGUILLE CARBU KEIHIN	CLIP AGUJA CARB KEIHIN
10	1326	BOISSEAU KEIHIN 3,5	CARBURATOR VALVE KEIHIN 3,5	CAMPANA KEIHIN 3,5
10	1343	BOISSEAU KEIHIN 4,0	CARBURATOR VALVE KEIHIN4,0	CAMPANA KEIHIN 4.0
11	1344	COUVERCLE BOISSEAU KEIHIN	CARBURATOR COVER KEIHIN	TAPA CARBURADOR KEIHIN
12	1345	COUVERCLE BOISSEAU GASKETKEIHIN	JOINT COVER KEIHIN	JUNTA TAPA CARBURADOR KEIHIN
13	1346	VIS REGUL ESSENCE CARBU KEIHIN	SCREW REGUL PETROL CARBU KHEIHIN	TORNILLO AIRE KEIHIN
14	1347	RESSORT VIS ESSENCE CARBU KEIHIN	SPRING SCREW REGUL PETROL CARBU KHEIHIN	MUELLE TORNILLO AIRE KEIHIN
15	1348	RESSORT CARBURATEUR 82 X 12,8 SPS	SPRING CARBURETOR 82 X 12,8 SPS	MUELLE CARBURADOR 82 X 12,8 SPS
16	1351	AXE BALANCIER FLOTEUR CARBU KEIHIN	PIN BALANCIER FLOTEUR CARBU KEIHIN	EJE BALANCIN FLOTADOR CARBU KEIHIN
17	1248	GICLEUR PRINCIPAL 122KEIHIN	MAIN JET 122 KEIHIN	CHICLE PRINCIPAL 122 KEIHIN
17	1347	RESSORT VIS ESSENCE CARBU KEIHIN	SPRING SCREW REGUL PETROL CARBU KHEIHIN	MUELLE TORNILLO AIRE KEIHIN
17	1352	GICLEUR PRINCIPAL 118 KEIHIN	MAIN JET 118 KEIHIN	CHICLE PRINCIPAL 118KEIHIN
17	1353	GICLEUR PRINCIPAL 120KEIHIN	MAIN JET 120 KEIHIN	CHICLE PRINCIPAL 120 KEIHIN
17	1402	GICLEUR PRINCIPAL 115 KEIHIN	MAIN JET 115 KEIHIN	CHICLE PRINCIPAL 115KEIHIN
18	1354	ADAPTE CÂBLE KEIHIN	CABLE ADJUSTING BOLT KEIHIN	AJUSTE CABLE GAS KEIHIN
19	1355	ECROU ADAPTE CÂBLE KEIHIN	NUT CABLE ADJUSTING BOLT KEIHIN	TUERCA AJUSTE CABLE GAS KEIHIN
20	1356	VIS REGUL GAS CARBU KEIHIN	KIT SCREW REGUL GAS KEIHIN	TORNILLO RALENTI KEIHIN
21	1357	RESSORT VIS REGUL GAS CARBU KEIHIN	SPRING SCREW REGUL GAS KEIHIN	MUELLE TORNILLO RALENTI KEIHIN



POS.	3.0	FRANÇAIS	ENGLISH	ESPAÑOL
22	1358	DOUILLE NYLON RESOT GAZ	FOOTREST NYLON GAS	CASQUILLO NYLON MUELLE KEIHIN
23	1359	VIS FIXATION COUVERCLE BOISSEUR KEIHIN	SCRE COVER KHEIHIN	TORNILLO FIJACION TAPA CAMPANA KEIHIN
24	1349	CLIP VALVE KEIHIN	CLIP FLOAT VALVE KEIHIN	CLIP VALVULA KEIHIN
25	1360	NEEDLE JET KEIHIN	NEEDLE JET KEIHIN	NEEDLE JET KEIHIN
26	1329	GROUPE STARTER KEIHIN	CHOKE SET REPLACEMENT KEIHIN	CTO STARTER RECAMBIO KEIHIN
27	1361	NEEDLE JET HOLDER KEIHIN	NEEDLE JET HOLDER KEIHIN	NEEDLE JET HOLDER KEIHIN
28	1350	VIS FIXATION CUVE KEIHIN	SCRE WFLOT KHEIHIN	TORNILLO FIJACION CUBA KEIHIN
29	1332	JOINT CUVE CARBURETOR KEHIN	FLOT CHAMBER GASKET	JUNTA CUBA CARBURADOR KEIHIN

TRIAL
TWENTY FACTORY
3.0